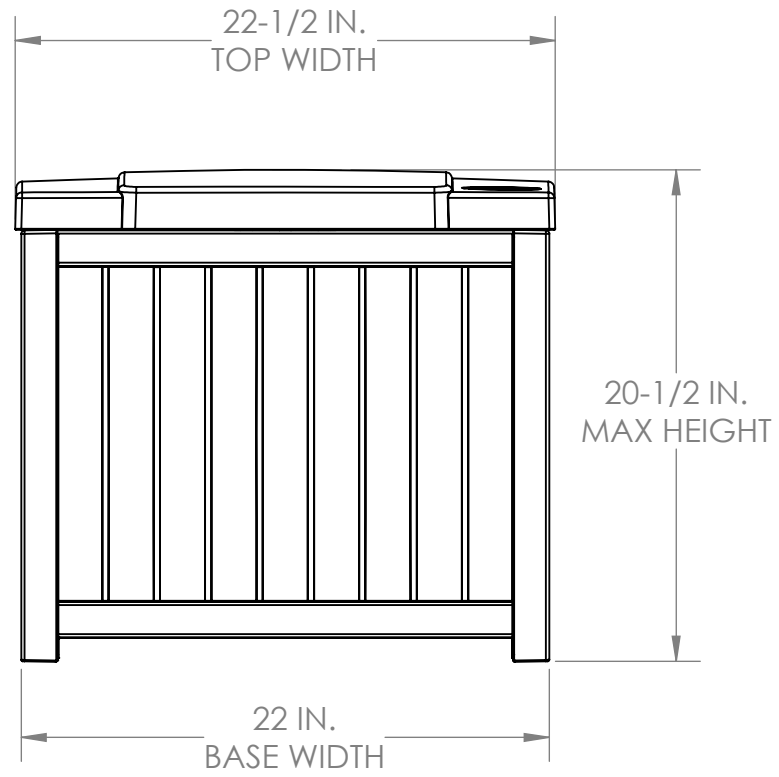
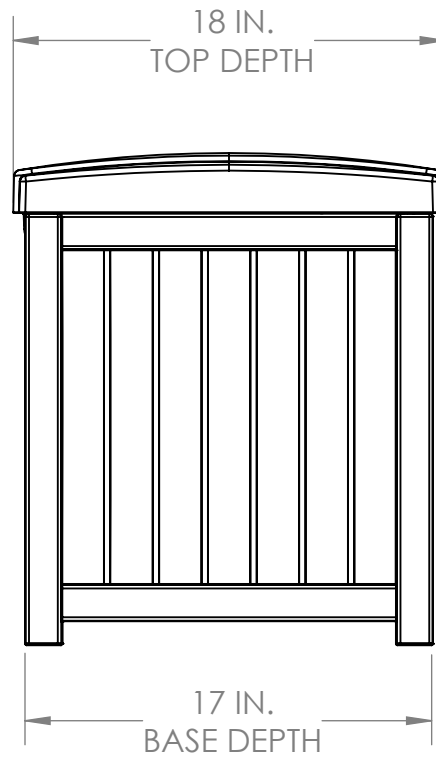


SS900  
FRONT VIEW

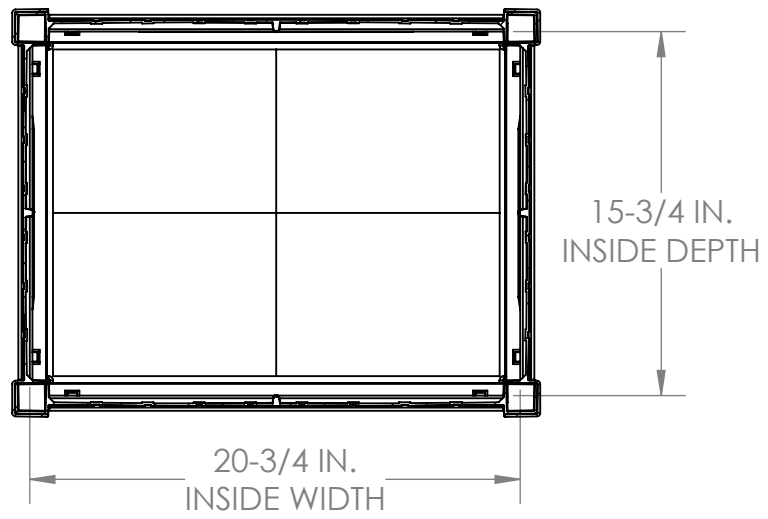
VOLUME: 2.9 CU. FT.  
22 GAL.



SS900  
SIDE VIEW



SS900  
TOP VIEW



SS900  
INTERIOR SIDE VIEW

