



ASSEMBLY INSTRUCTIONS

GO3216 Golf Organizer

WARNING

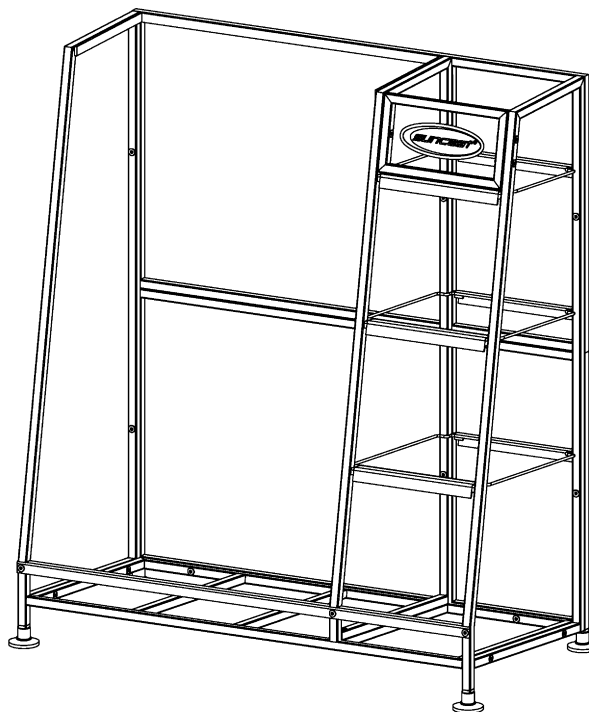
- This product is for golf equipment.
- Not intended to be used partially assembled.
- Intended for residential use.
- Not to exceed loaded weight of 150 lbs., evenly distributed on the product.
- If part is broken, repair or replace at once.

Before you begin...

Read instructions prior to assembly. This product contains parts that can be damaged if incorrectly assembled.

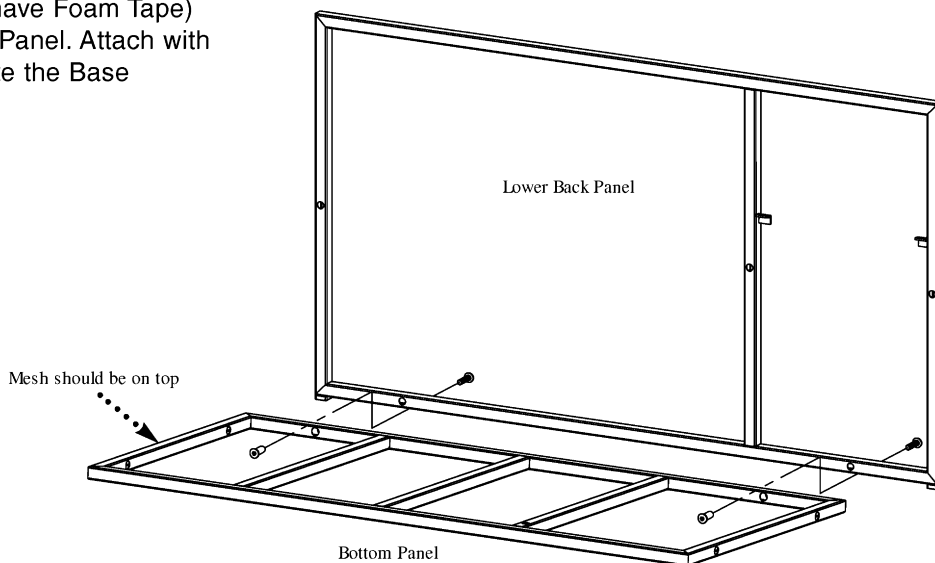
Please follow instructions. Suncast is not responsible for replacing parts damaged due to incorrect assembly.

Assemble on a smooth, flat surface. For steps where parts are placed upside down, place parts on a smooth surface to avoid scratching finish. Flatten cardboard from carton to create a smooth work surface.



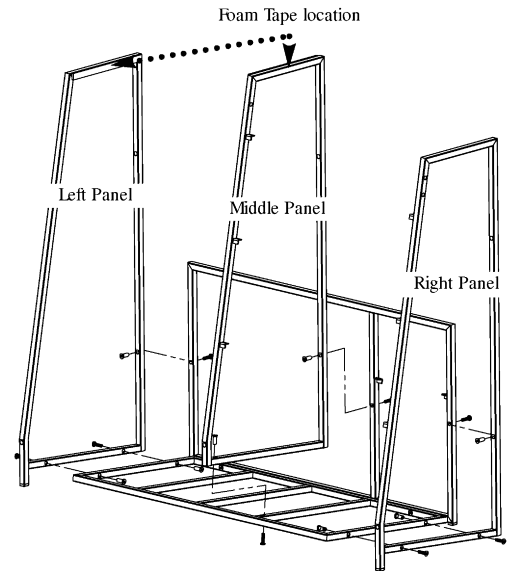
NOTE: When assembling do not fully tighten the screws and nuts until after Step 8. This will allow panel adjustment to ensure proper fit once the unit assembly is complete.

1. Place the Bottom Panel so that mesh is on top. Position the Lower Back Panel (Does NOT have Foam Tape) facing forward, towards the Bottom Panel. Attach with two longer screws and nuts to create the Base Assembly.

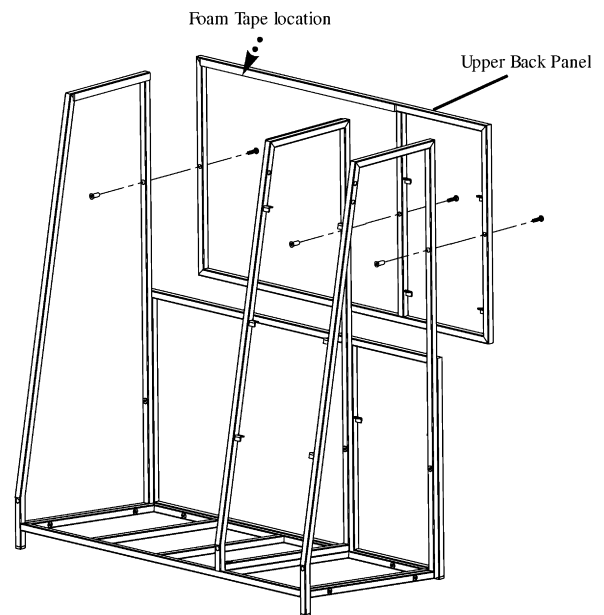


Quality Control No.

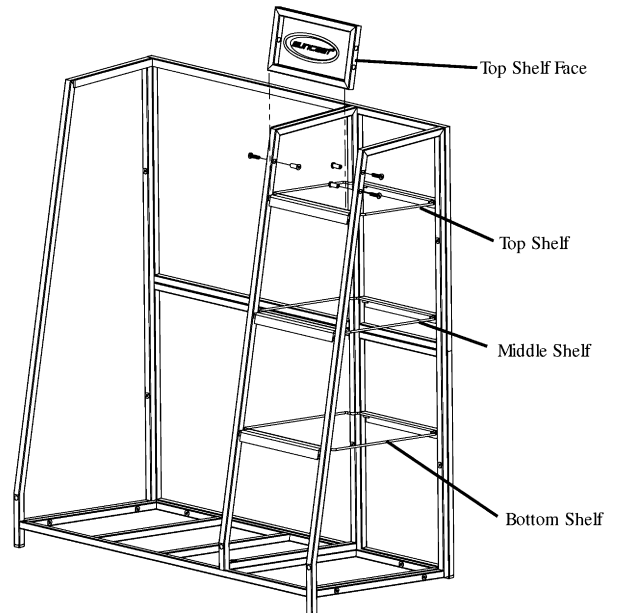
2. Position the foam-tape side of the Left Panel so it faces IN toward the Middle Panel position. Attach to the Base Assembly by using three longer screws and nuts.
3. Position the foam-tape side of the Middle Panel so it faces the Left Side Panel and attach to the Base Assembly by using two of the longer screws and nuts.
4. Attach the Right Side Panel to the Base Assembly using three longer screws and nuts.



5. Position the foam-tape side of the Upper Back Panel facing forward and attach to the Left, Right, And Middle Panels using three longer screws and nuts.



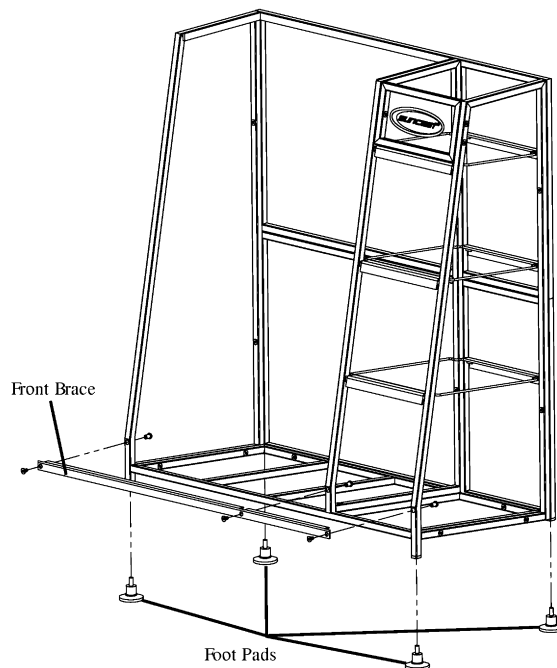
6. Insert the Bottom, Middle and Top Shelves by placing them on the corresponding shelf brackets provided on the Middle and Right Side Panels. Place the notched side of each shelf toward the back for proper installation.
7. Attach the Top Shelf Face to the Middle Panel and the Right Panel by using three longer screws and nuts.



8. Lay unit on its back to attach the Front Brace using the three shorter screws and nuts.

Note: It is now recommended that all of the fasteners be fully tightened.

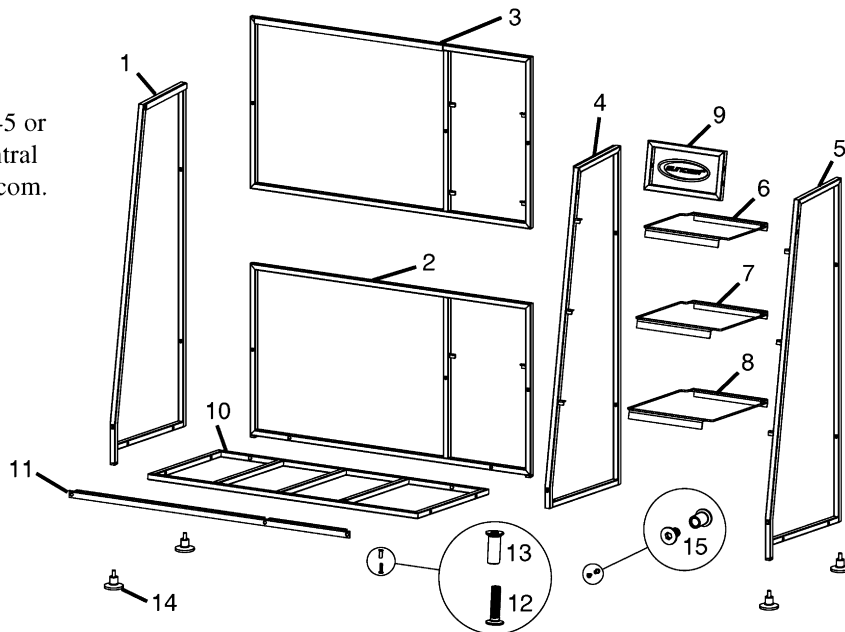
9. Attach four Foot Pads at positions provided on bottom corners. Place unit upright and adjust feet so unit is evenly supported at each corner.



Golf Organizer G03216

Replacement Parts Ordering Instructions:

For pricing information contact Suncast at 800-846-2345 or 630-879-2050, Monday - Friday 8:00 am - 4:30 pm Central Time (Except holidays), or on the web at www.suncast.com.



Index No.	Part Name	Part No.	Cost Each	Quantity	Total Cost
1	LEFT PANEL	0630150			
2	LOWER BACK PANEL	0630151			
3	UPPER BACK PANEL	0630152			
4	MIDDLE BACK PANEL	0630153			
5	RIGHT PANEL	0630154			
6	TOP SHELF	0630155			
7	MIDDLE SHELF	0630156			
8	BOTTOM SHELF	0630157			
9	TOP SHELF FACE	0630158			
10	BOTTOM PANEL	0630159			
11	FRONT BRACE	0630160			
12	LONG SCREWS (16)	0630161			
13	NUTS	0630162			
14	FOOT PADS (4)	0630163			
15	SHORT SCREWS (3)	0630164			