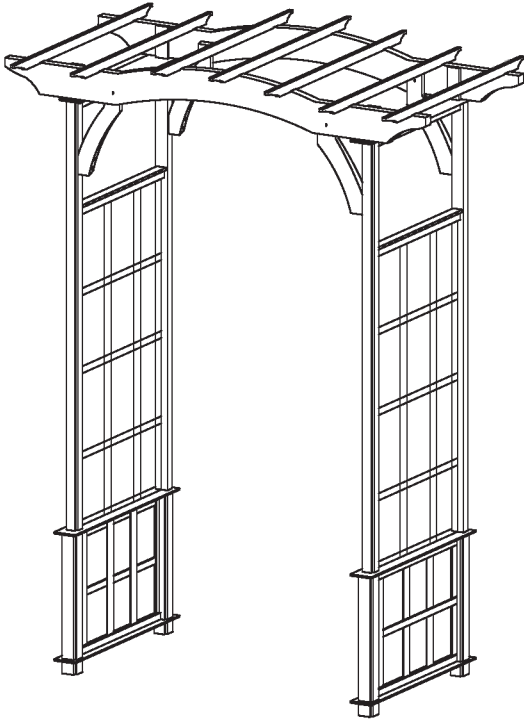
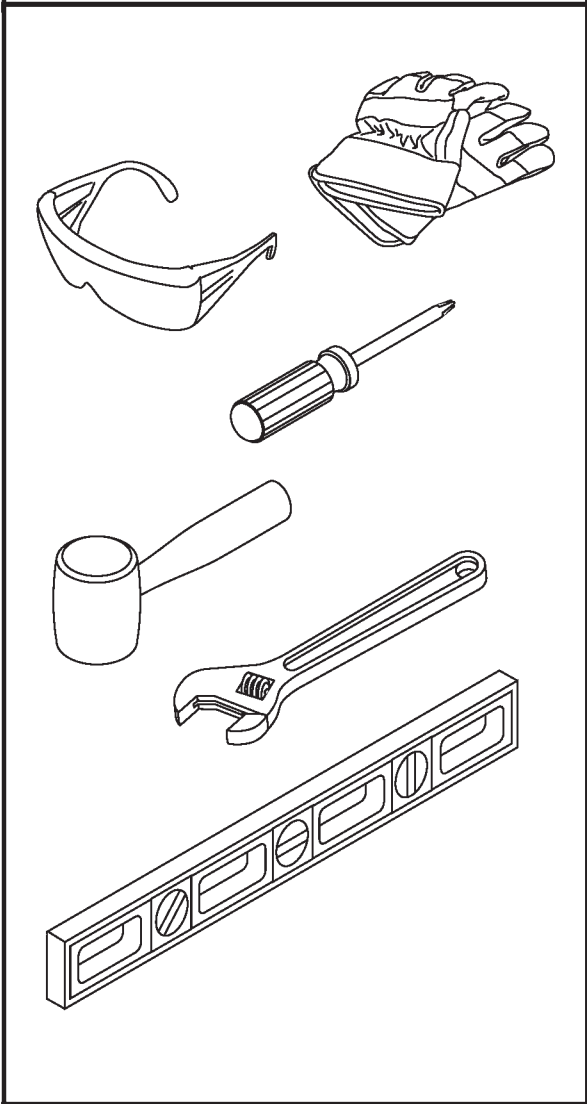




BA2800 Wood Arbor ASSEMBLY INSTRUCTIONS

Tools Needed for Installation



Suncast Products and Replacement Parts




To purchase Suncast replacement parts and learn about other Suncast products, visit www.suncast.com or call 1-800-846-2345 or 1-630-879-2050.



KEEP THESE INSTRUCTIONS.

Assembled exterior dimensions 56 7/16" W. x 23" D. x 83" H.

Before You Begin...

- **Consult your local authorities for any permits required to construct arbor.**
Prior to the construction of your arbor, check with the local building code official to review any required permits or building limitations.
- **A level and sturdy foundation is required before arbor construction can begin.**
- **Read instructions thoroughly prior to assembly.**
This kit contains parts that can be damaged if assembled incorrectly or in the wrong sequence.
- **Please follow instructions.**
Suncast is not responsible for replacing parts lost or damaged due to incorrect assembly.
- **Check for all parts before you begin assembly.**
Using the provided parts check list on page 3, verify that you have all the parts required to construct your arbor.
COMPLETE SITE PREPARATION BEFORE UNPACKING ALL PARTS.
- **Assistance is recommended during entire assembly.** 



CAUTION

- **DO NOT** stand, sit or store items on top of arbor.
- **DO NOT** hang plants or heavy items from structures.
- **DO NOT** anchor to paver bricks. Foundation must be a solid, level surface
- Exercise caution using a lawn mower, edge trimmer or other yard equipment near arbor.
- Proper site preparation required.
- Arbor not intended for use in extreme weather conditions.
- Arbor not intended for use by children.
- Treat carefully in extreme temperatures.
- Repair or replace broken parts immediately.
- Suncast is not responsible for damage caused by weather or misuse.
- This kit contains parts with metal edges. Please be careful when handling.

Arbor Safety and Care

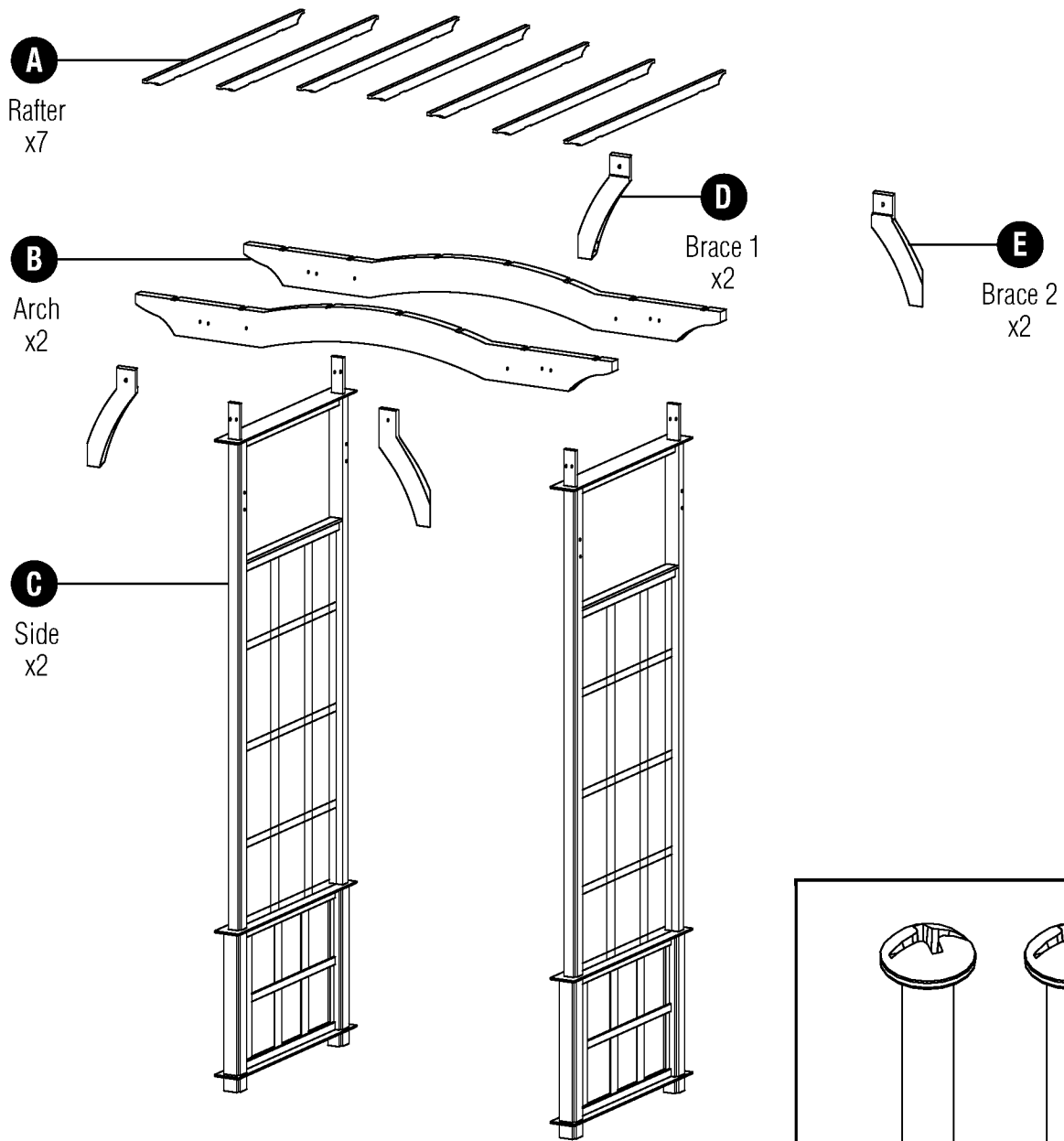
- At regular intervals inspect your arbor to make sure that assembly integrity has been maintained.
- Periodically check that the location you have chosen to set your arbor is still level.
- If stain or sealer is applied, re-apply on a yearly basis.

Assembly Day Tips

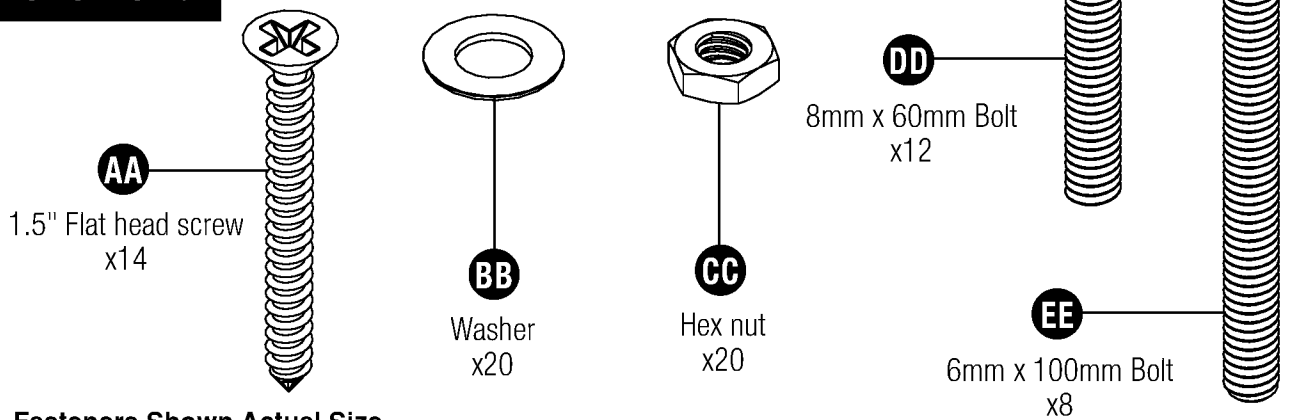
- Complete site preparation before unpacking parts and beginning assembly.
- **DO NOT** attempt to assemble on a day with strong winds.
- **DO NOT** attempt to assemble on days when temperature is below 32 degrees.
- Set aside appropriate amount of time to completely assemble arbor.
- Make sure you have assistance nearby to lift and secure parts in place.
- Wear light duty work gloves while assembling arbor.

Note: This product contains parts that are used in different orientations to construct the arbor. Please take note of the orientation of the parts shown throughout this instruction manual. Failure to follow instructions could result in damage to parts. Suncast is not responsible for replacing parts lost or damaged due to incorrect assembly.

Parts

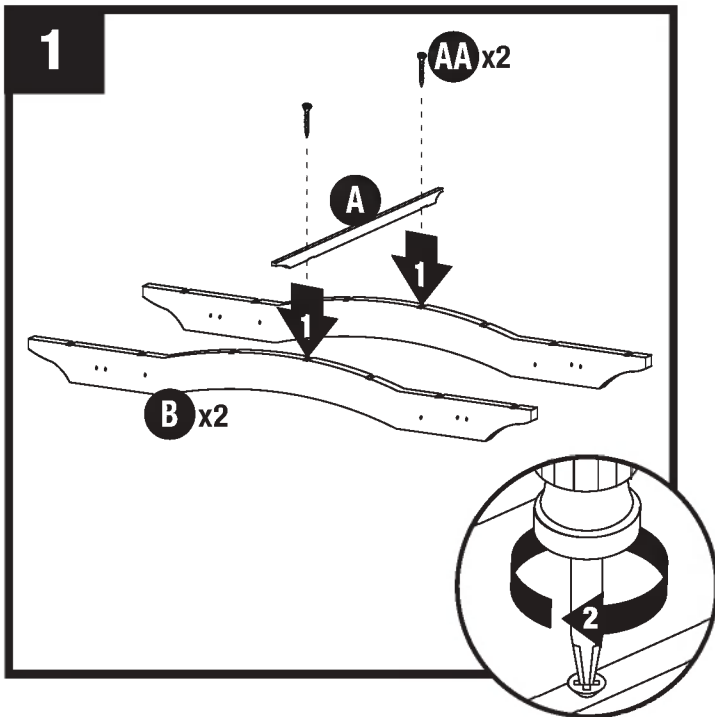


Hardware

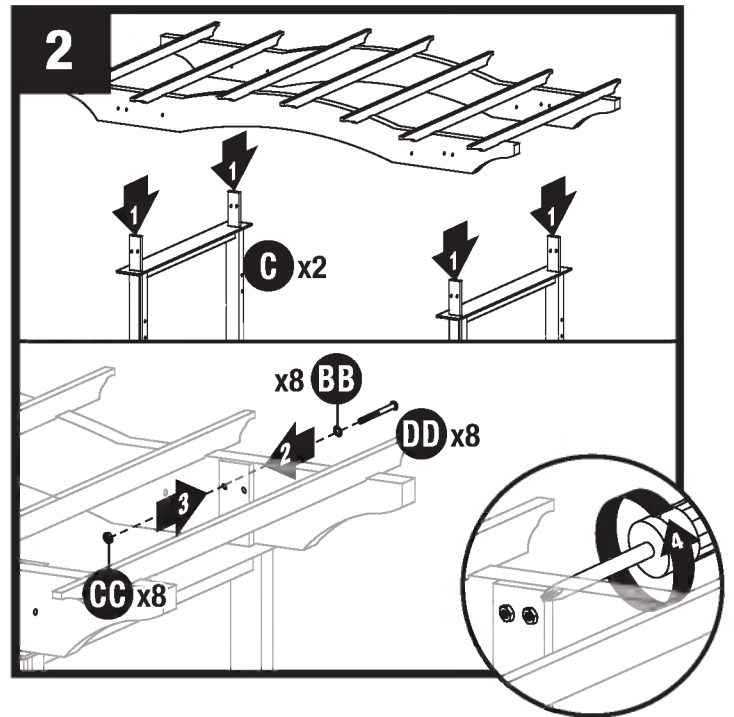


Fasteners Shown Actual Size.

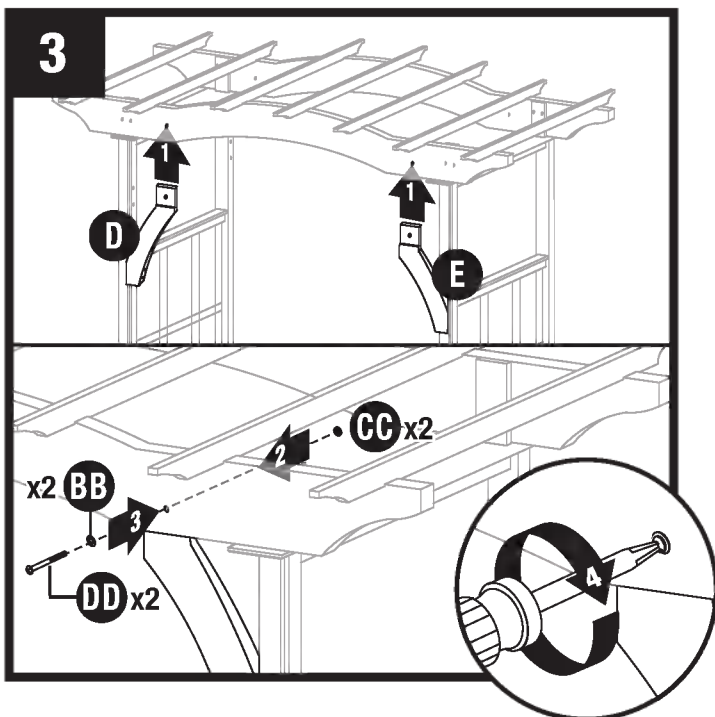
Assembly



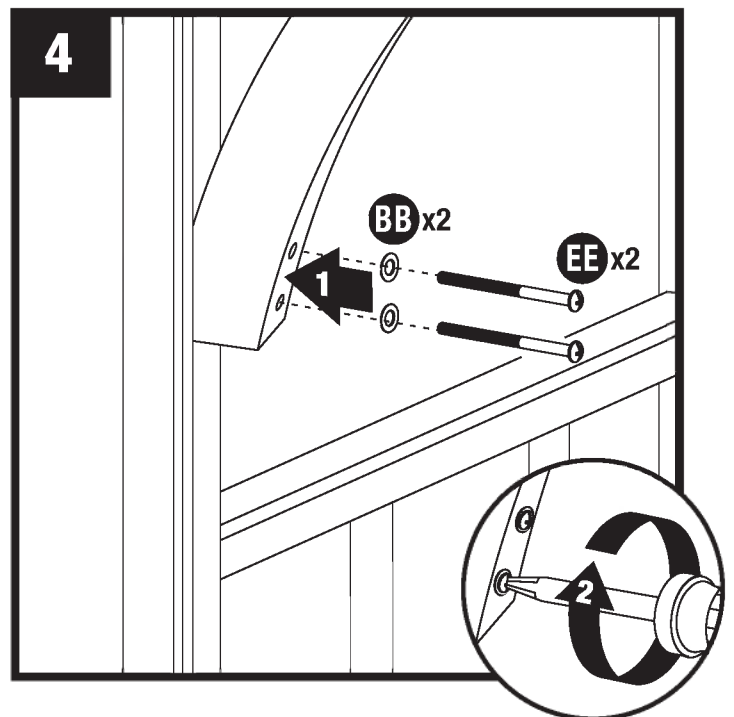
Attach two arches (B) to rafter (A) with two screws (AA).
Repeat for remaining rafters.



Attach sides (C) with eight bolts (DD), eight washers (BB), and eight nuts (CC).



Attach each brace (D/E) to arch with one bolt (DD), one washer (BB), and one nut (CC).
Repeat for remaining braces.



Attach brace to side with two bolts (EE) and two washers (BB).
Repeat for remaining braces.

Warranty

SUNCAST® Limited Warranty

Your SUNCAST® product has a LIMITED WARRANTY AGAINST FAILURE RESULTING FROM DEFECTS IN WORKMANSHIP at the time of purchase. Incidental and consequential damages are not covered.

Warranty Claims

To file a warranty claim contact the manufacturer, SUNCAST® CORPORATION, 701 North Kirk Road, Batavia, Illinois, 60510. Call toll free (800) 846-2345 or visit www.Suncast.com.

SUNCAST® will repair or replace only the parts that failed under the terms of the warranty. In some cases, the replacement parts may not be identical, but they shall be of equal or greater performance than the original part.

We may require proof of purchase. Proof of purchase may be the original dated store receipt. We may require evidence of the failure. Evidence of failure may include photographs or returning failed components to SUNCAST.

WARRANTY LIMITATIONS

THIS WARRANTY COVERS ONLY DEFECTS THAT AFFECT THE FORM, FIT OR FUNCTION OF THE UNIT. It excludes natural aging of the unit, discoloration, ordinary wear and tear, ordinary weathering, sunlight fading, or rust. It excludes staining caused by mold, mildew or tree sap and damage caused by animals including insects, vermin or household pets. The warranty does not cover damage caused by Acts of Nature including but not limited to: wind in excess of 65 mph; tornado; hurricane; microburst; hail; flood; blizzard; extreme heat; pollution or fire events.

The following actions void the warranty: improper assembly; assembly on a foundation other than as described in the assembly instructions; use above intended and reasonable capacity; misuse; abuse; failure to perform ordinary maintenance; modification; cleaning with abrasive tools, exposing the unit to heat sources and vandalism. Painting, sandblasting, cleaning with harsh chemicals not recommended for plastics voids the warranty on resin components. Modification of the original product voids all warranties. Suncast assumes no liability for any modified product or consequences resulting from failure of a modified product. Damage due to moving, transporting, or relocating the product voids the warranty. Disassembly of this unit for reasons other than authorized repair voids the warranty.

Suncast is not responsible for: loss of use of the unit; labor for repair; inspection fees or disposal costs.

THIS WARRANTY IS NONTRANSFERABLE. IT IS VALID FOR NORMAL HOUSEHOLD USE ONLY. THE WARRANTY IS VOIDED BY COMMERCIAL OR INDUSTRIAL USE. IT EXCLUDES FLOOR MODELS, CLEARANCE AND OPEN BOX UNITS.

Notice

Suncast does not represent that this unit will meet city, county, state, homeowner's association standards or zoning requirements. The owner is responsible for securing all permits and meeting other requirements needed for placement, construction and use.

THE MANUFACTURER'S LIABILITY HEREUNDER IS LIMITED SOLELY TO THE REPAIR OR REPLACEMENT OF THE DEFECTIVE PRODUCT OR PART AND THE MANUFACTURER SHALL IN NO EVENT BE LIABLE FOR ANY INCIDENTAL OR CONSEQUENTIAL DAMAGES WHICH MAY RESULT FROM ANY DEFECT IN MATERIAL OR WORKMANSHIP OR FROM THE BREACH OF ANY EXPRESS OR IMPLIED WARRANTY.

This warranty gives you specific legal rights, and you may also have other rights which vary from state to state. Some states do not allow the exclusion or limitation of incidental or consequential damages; the limitation or exclusion may not apply to you.

