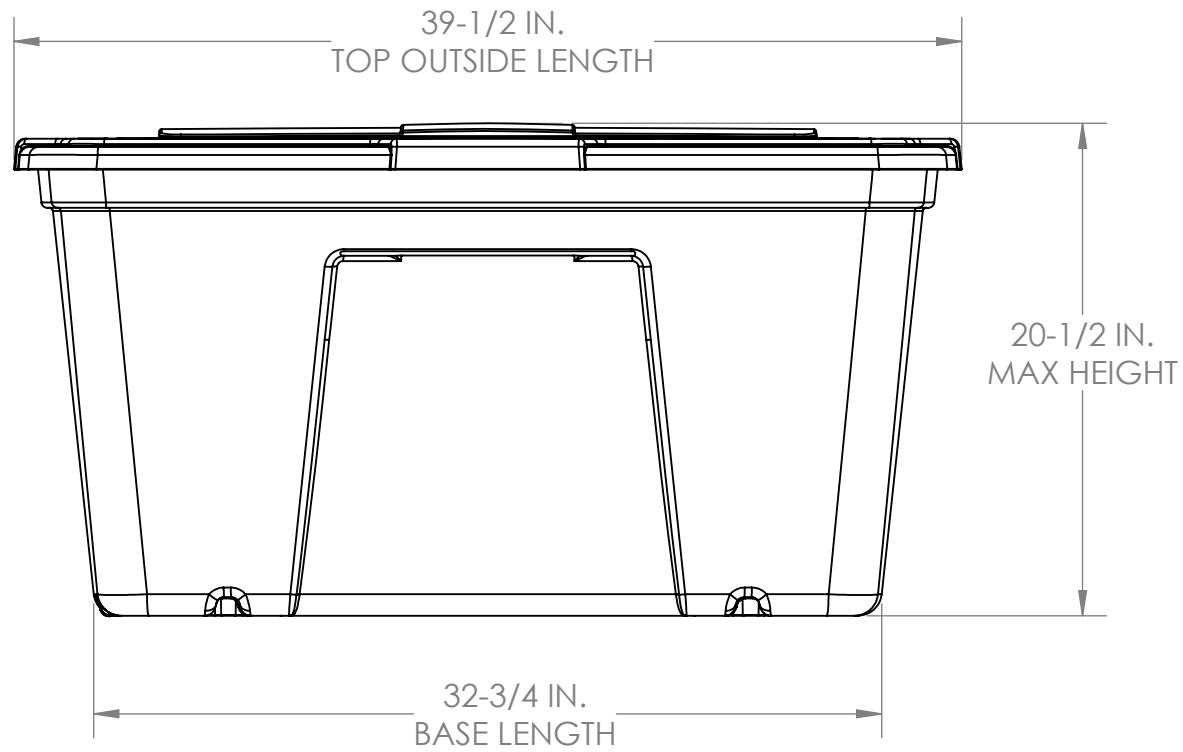
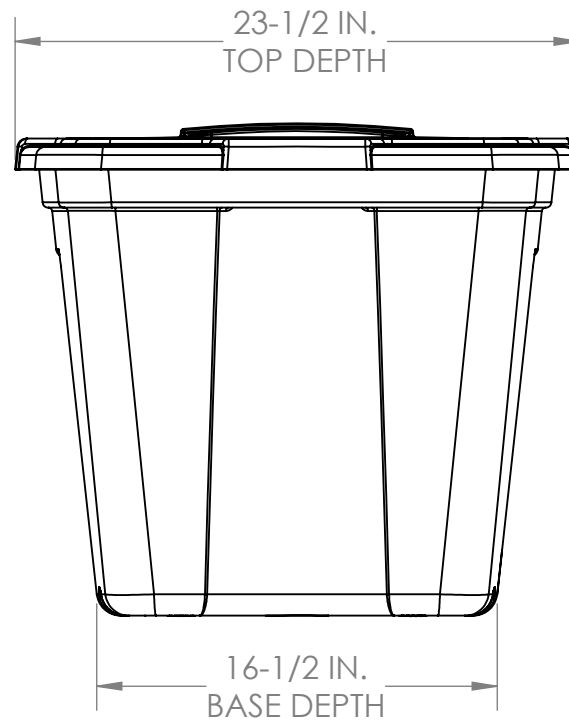


B501824  
FRONT VIEW

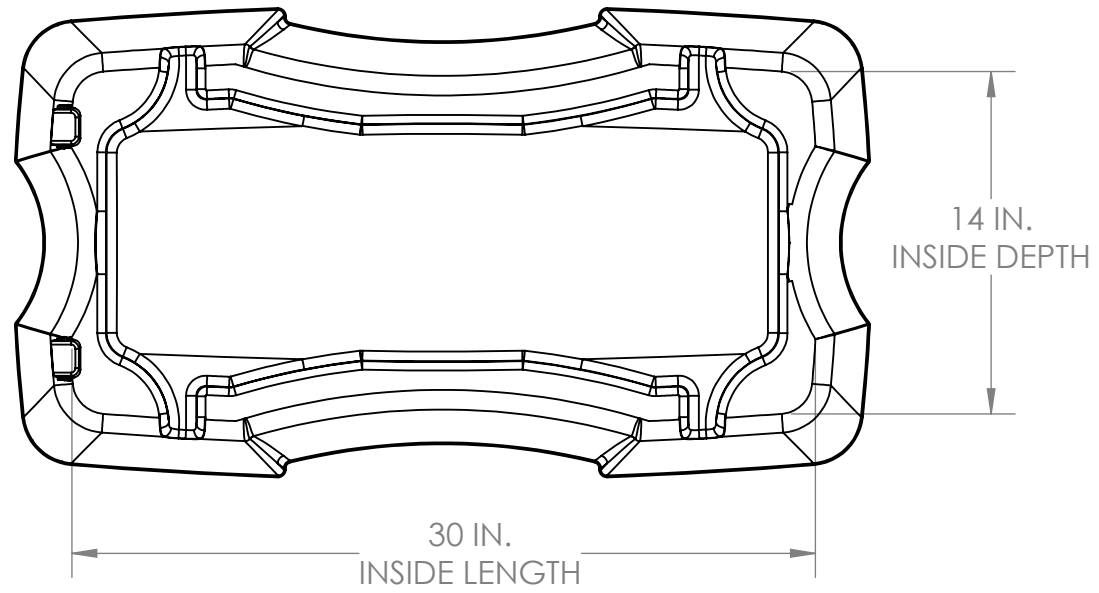
VOLUME: 6.8 CU. FT.  
50 GAL.



B501824  
SIDE VIEW



B501824  
TOP VIEW



B501824  
INTERIOR SIDE VIEW

