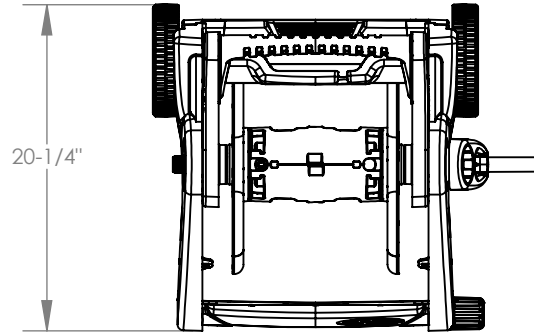




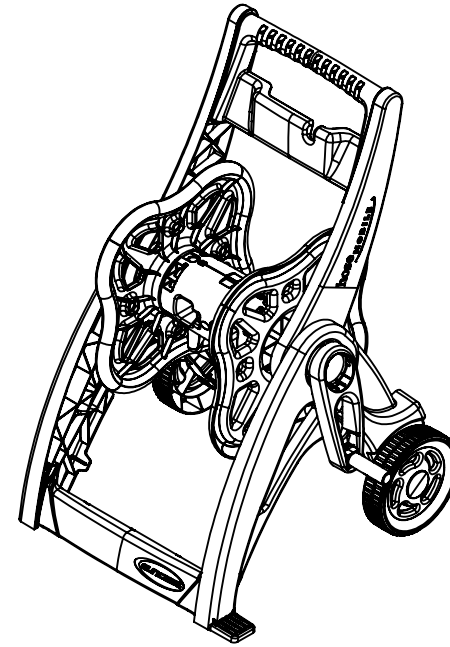
Suncast Corporation
701 North Kirk Road
Batavia, IL 60510 USA

CPLJSF175

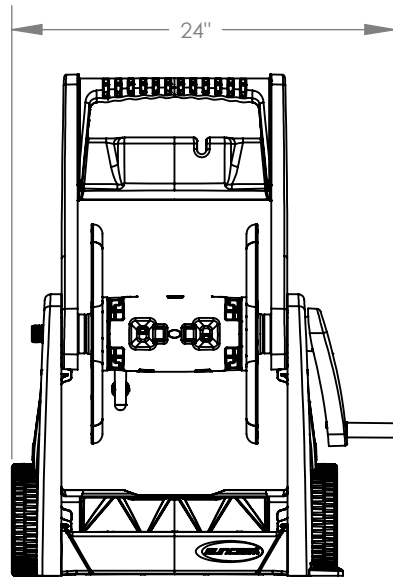
HOSE CAPACITY:
(5/8" STD. VINYL HOSE) **175 FT**



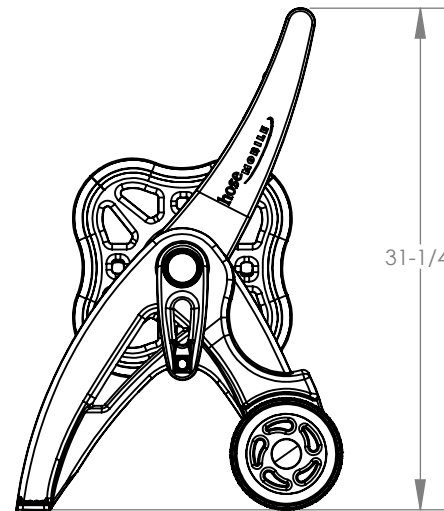
TOP VIEW



ISO VIEW



FRONT VIEW



SIDE VIEW