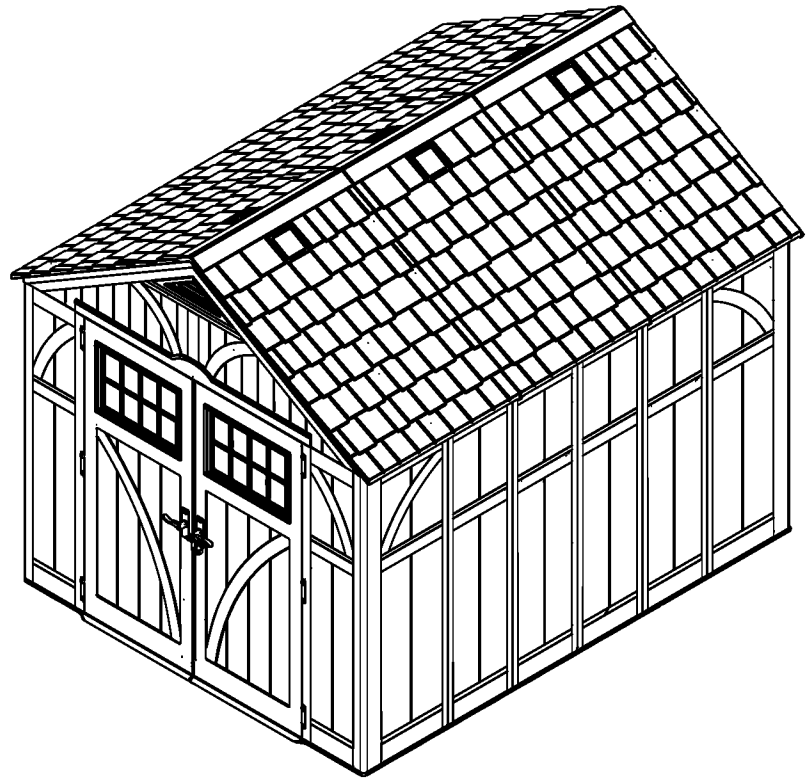
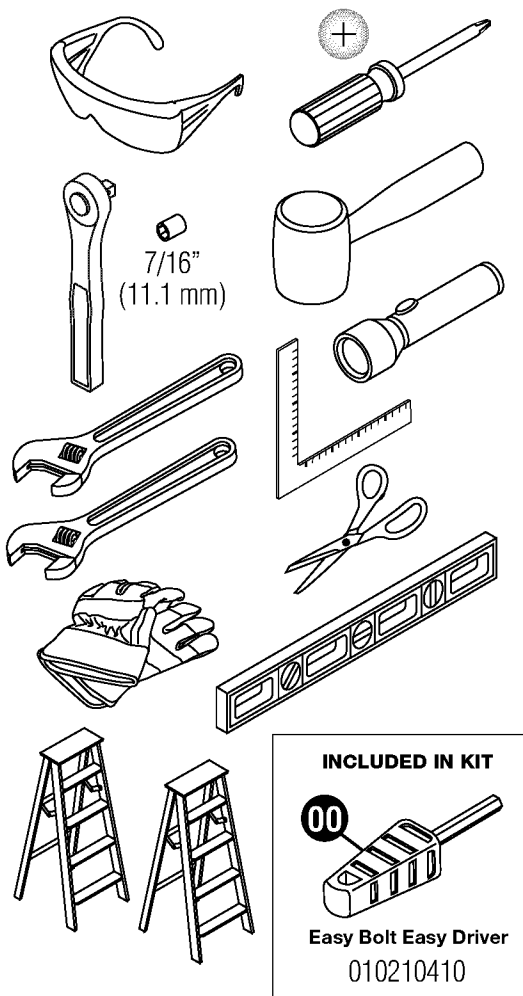


BMS8100/BMS8125 Blow Molded Resin Storage Shed

ASSEMBLY INSTRUCTIONS



Tools Required



Assistance is required
during entire assembly.



SUNCAST®

Smart. Inside & Out®

Register your product for Limited Warranty!

Must register product within 90 days of purchase for limited warranty



www.suncast.com/warranty or call US 1 (800) 846-2345

Have Questions?

We are here to help. Check out our resource library along with helpful tips, videos and FAQ's.


You may call the Contact Center directly at: 1 (800) 846-2345 or write

Suncast Corporation, Contact Center, 701 N. Kirk Road, Batavia, IL 60510 (USA)





Before You Begin...

- **Consult your local authorities for any permits required to construct shed.**
Prior to the construction of your shed, check with the local building code official to review any required permits or building limitations.
- **A level and sturdy foundation is required before shed construction can begin.**
Review the site preparation information within the manual before beginning assembly.
- **Read instructions thoroughly prior to assembly.**
This kit contains parts that can be damaged if assembled incorrectly or in the wrong sequence.
- **Please follow instructions.**
Suncast is not responsible for replacing parts lost or damaged due to incorrect assembly.
- **Assistance is required during entire assembly.** 

IMPORTANT

OPEN ALL BOXES FIRST AND NEATLY LAYOUT PARTS. SMALL PARTS MAY BE CONTAINED IN EACH BOX. PLEASE REFERENCE THE PARTS LIST WITHIN THIS MANUAL TO VERIFY ALL PARTS ARE PRESENT.

COMPLETE SITE PREPARATION AND FOUNDATION CONSTRUCTION BEFORE UNPACKING ALL PARTS.



Caution

- Proper site preparation required.
- Shed not intended for use in extreme weather conditions.
- Shed not intended for storage of flammable or caustic chemicals.
- Store heavy items near the bottom of shed.
- Shed not intended for use by children.
- DO NOT stand, sit, or store items on storage shed roof.
- Treat carefully in extreme temperatures.
- Repair or replace broken parts immediately.
- Suncast is not responsible for damage caused by weather or misuse.
- At regular intervals inspect your shed to make sure that assembly integrity has been maintained.
- Periodically check that the location you have chosen to set your shed is still level.
- This kit contains parts with metal edges. Please be careful when handling.



Shed Safety and Care

- Hot items, such as recently used grills, blowtorches, etc., must not be stored in the shed.
- Heavy articles should not be leaned against the walls, as this may cause panel distortion and permanent damage.
- Keep roof clean of snow and leaves.
- The shed walls and roof sections have a textured exterior, much like vinyl home siding. Over time, dust may accumulate in the texture. When combined with moisture, this could encourage the growth of moss or mold on the shed. To maintain the look of your shed, we recommend cleaning it each year with mild soap and water. **DO NOT** use bleach, ammonia, or other caustic cleaners, and **DO NOT** use stiff bristle brushes. Failure to perform annual cleaning could result in permanent staining of the plastic. This is not a manufacturing defect and is not covered under warranty.

Assembly Day Tips

- Complete site preparation and foundation construction before unpacking parts and beginning assembly.
- **DO NOT** attempt to assemble on a day with strong winds.
- **DO NOT** attempt to assemble on days when temperature is below 32 degrees.
- Set aside appropriate amount of time to completely assemble shed.
- Make sure you have assistance nearby to lift and secure parts in place.
- Wear light duty work gloves while assembling shed.
- Once roof is assembled, a flashlight may be of use when assembling smaller components inside shed.
- **DO NOT** use a hand drill to tighten provided Easy bolts. Use 010210410 Easy Bolt Easy Driver tool (provided) **ONLY**.
- Suncoast provides extra hardware for small fasteners for customer convenience. In some cases, there will be extra small fasteners once the assembly is complete.

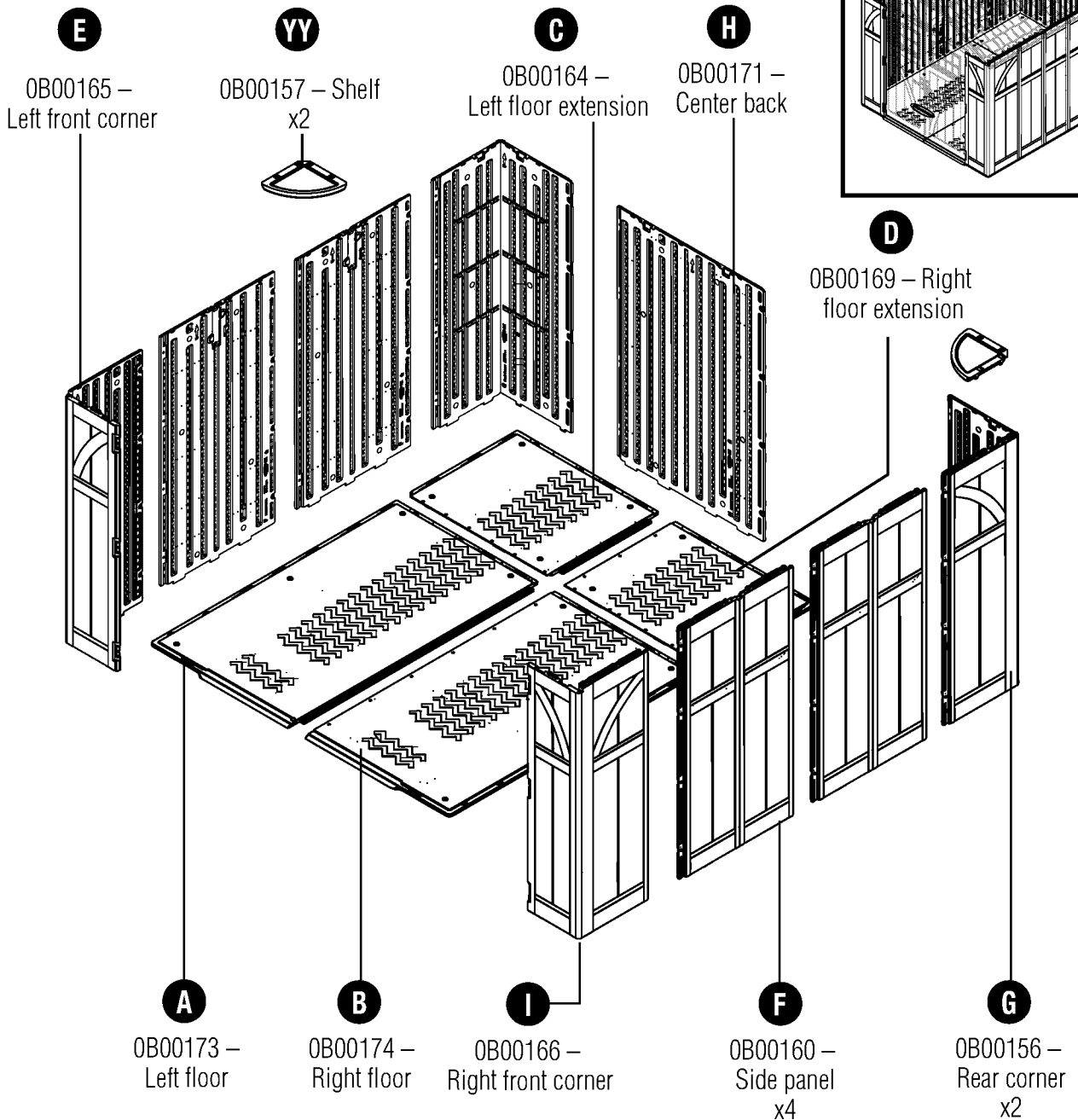
Note: This product contains parts that are used in different orientations to construct the shed. Please take note of the orientation of the parts shown throughout this instruction manual. Failure to follow instructions could result in damage to parts. Suncoast is not responsible for replacing parts lost or damaged due to incorrect assembly.

IMPORTANT

OPEN ALL BOXES FIRST AND NEATLY LAYOUT PARTS. SMALL PARTS MAY BE CONTAINED IN EACH BOX. PLEASE REFERENCE THE PARTS LIST WITHIN THIS MANUAL TO VERIFY ALL PARTS ARE PRESENT.

COMPLETE SITE PREPARATION AND FOUNDATION CONSTRUCTION BEFORE UNPACKING ALL PARTS.

Parts - Walls and Floors

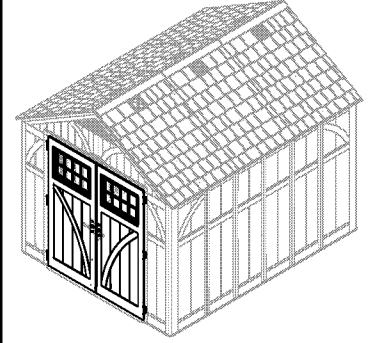


Parts - Doors

IMPORTANT

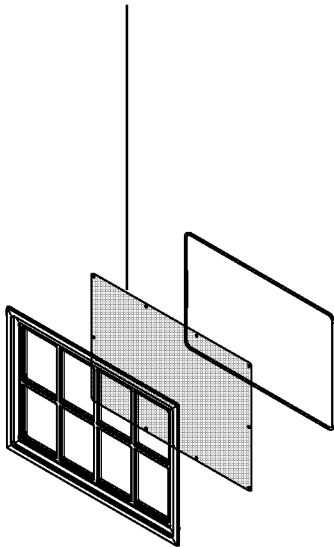
OPEN ALL BOXES FIRST AND NEATLY LAYOUT PARTS. SMALL PARTS MAY BE CONTAINED IN EACH BOX. PLEASE REFERENCE THE PARTS LIST WITHIN THIS MANUAL TO VERIFY ALL PARTS ARE PRESENT.

COMPLETE SITE PREPARATION AND FOUNDATION CONSTRUCTION BEFORE UNPACKING ALL PARTS.



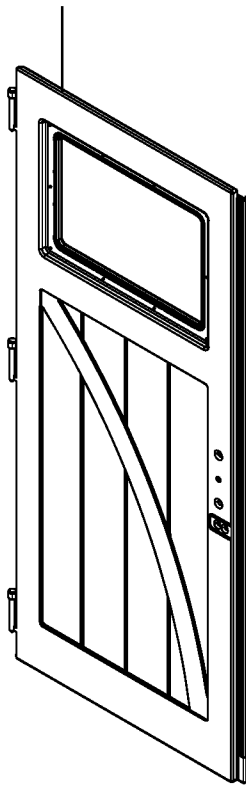
R

0440690 –
Door window
x1 set



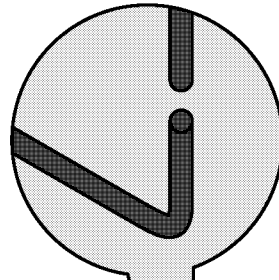
L

0B00163 –
Left door



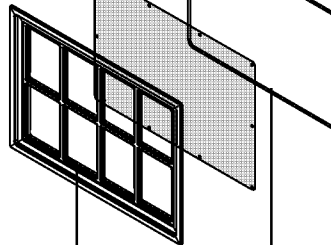
S

0440631 –
D-ring bolt
x1 set



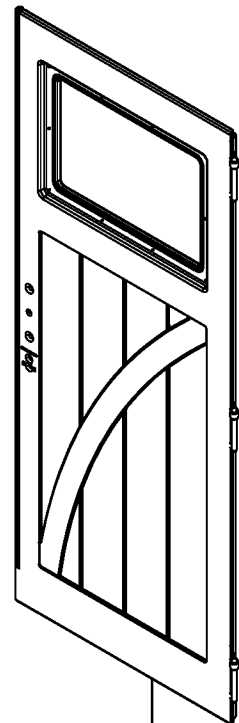
T

0102086 – Door
window frame
x2



U

0440655 – Door
window gasket
x1 set



M

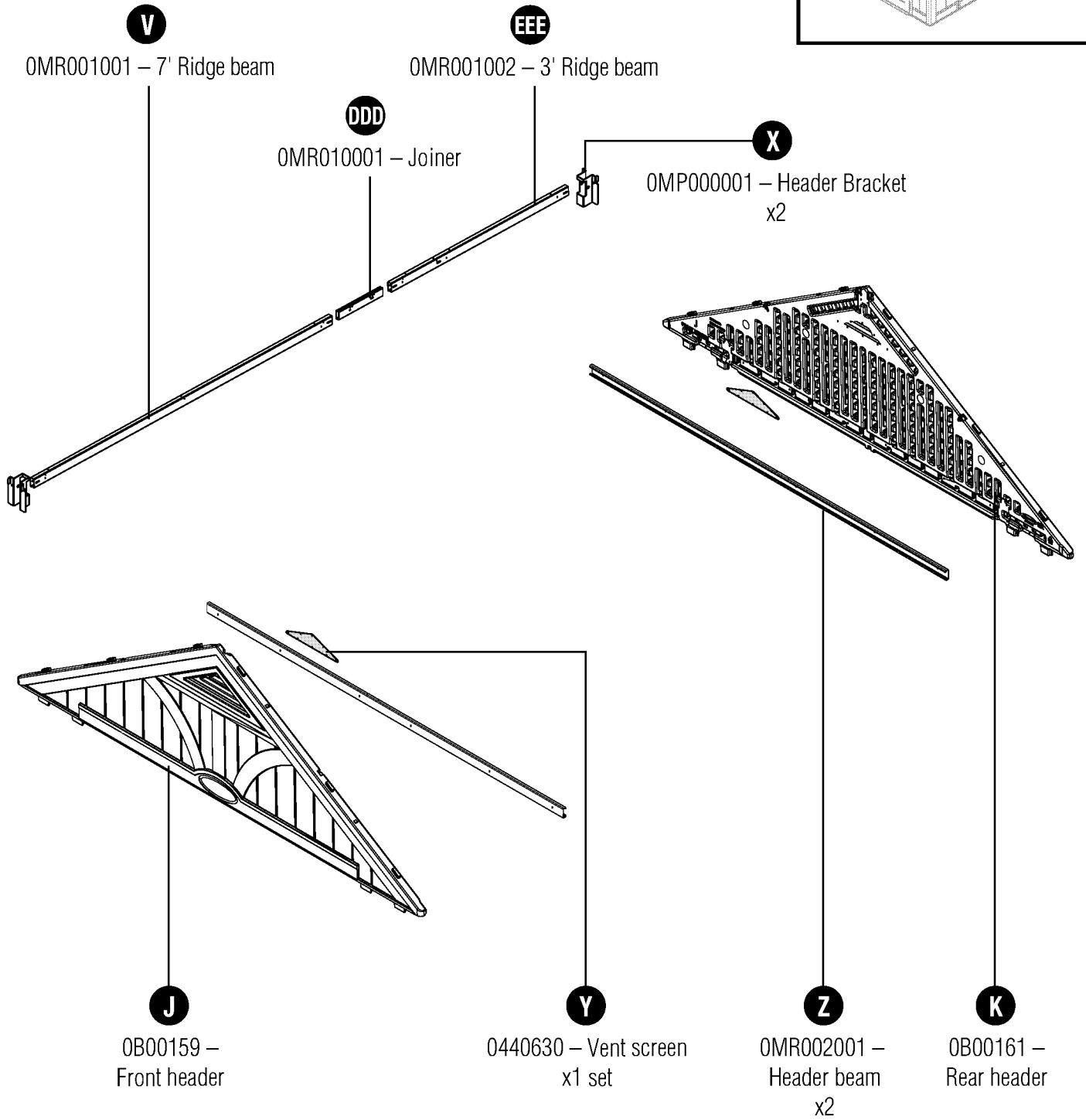
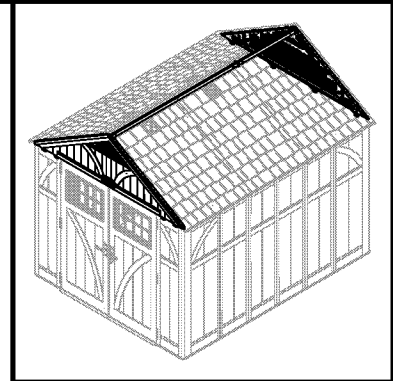
0B00162 –
Right door

Parts - Headers

IMPORTANT

OPEN ALL BOXES FIRST AND NEATLY LAYOUT PARTS. SMALL PARTS MAY BE CONTAINED IN EACH BOX. PLEASE REFERENCE THE PARTS LIST WITHIN THIS MANUAL TO VERIFY ALL PARTS ARE PRESENT.

COMPLETE SITE PREPARATION AND FOUNDATION CONSTRUCTION BEFORE UNPACKING ALL PARTS.

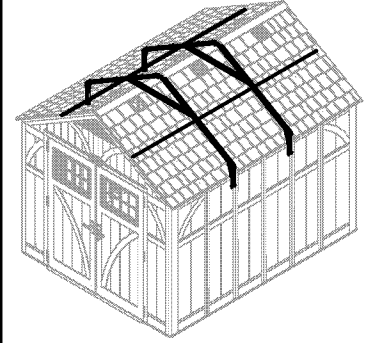


Parts - Truss

IMPORTANT

OPEN ALL BOXES FIRST AND NEATLY LAYOUT PARTS. SMALL PARTS MAY BE CONTAINED IN EACH BOX. PLEASE REFERENCE THE PARTS LIST WITHIN THIS MANUAL TO VERIFY ALL PARTS ARE PRESENT.

COMPLETE SITE PREPARATION AND FOUNDATION CONSTRUCTION BEFORE UNPACKING ALL PARTS.



AA

OMR005001 –
Truss leg
x4

BB

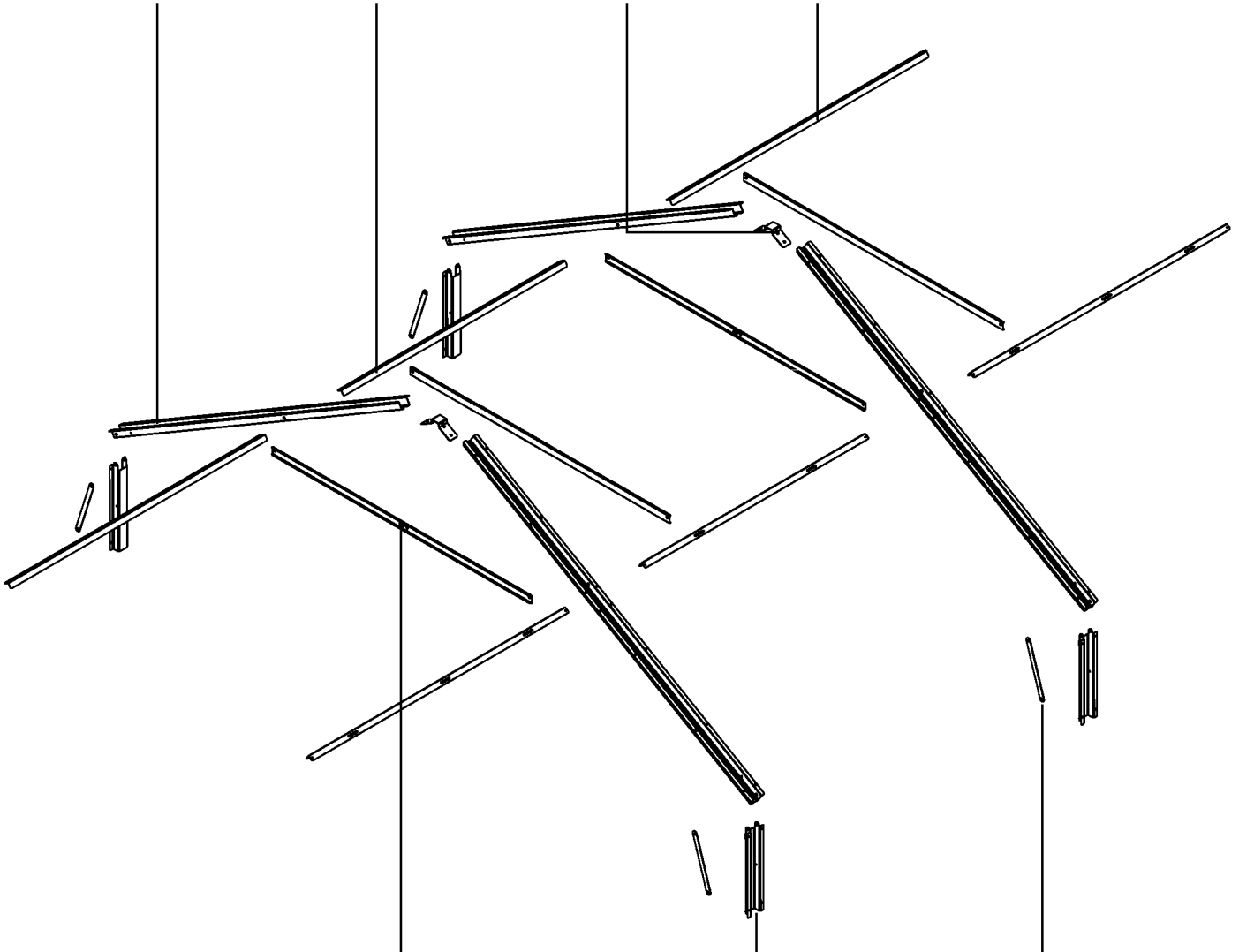
OMR009003 –
Extension bracket
x2

CC

OMP000003 –
Truss bracket
x2

DD

OMR009001 – Roof
support bracket
x4



EE

OMR006001 – Truss
cross beam
x4

FF

OMR004001 – Side
adaptor bracket
x4

GG

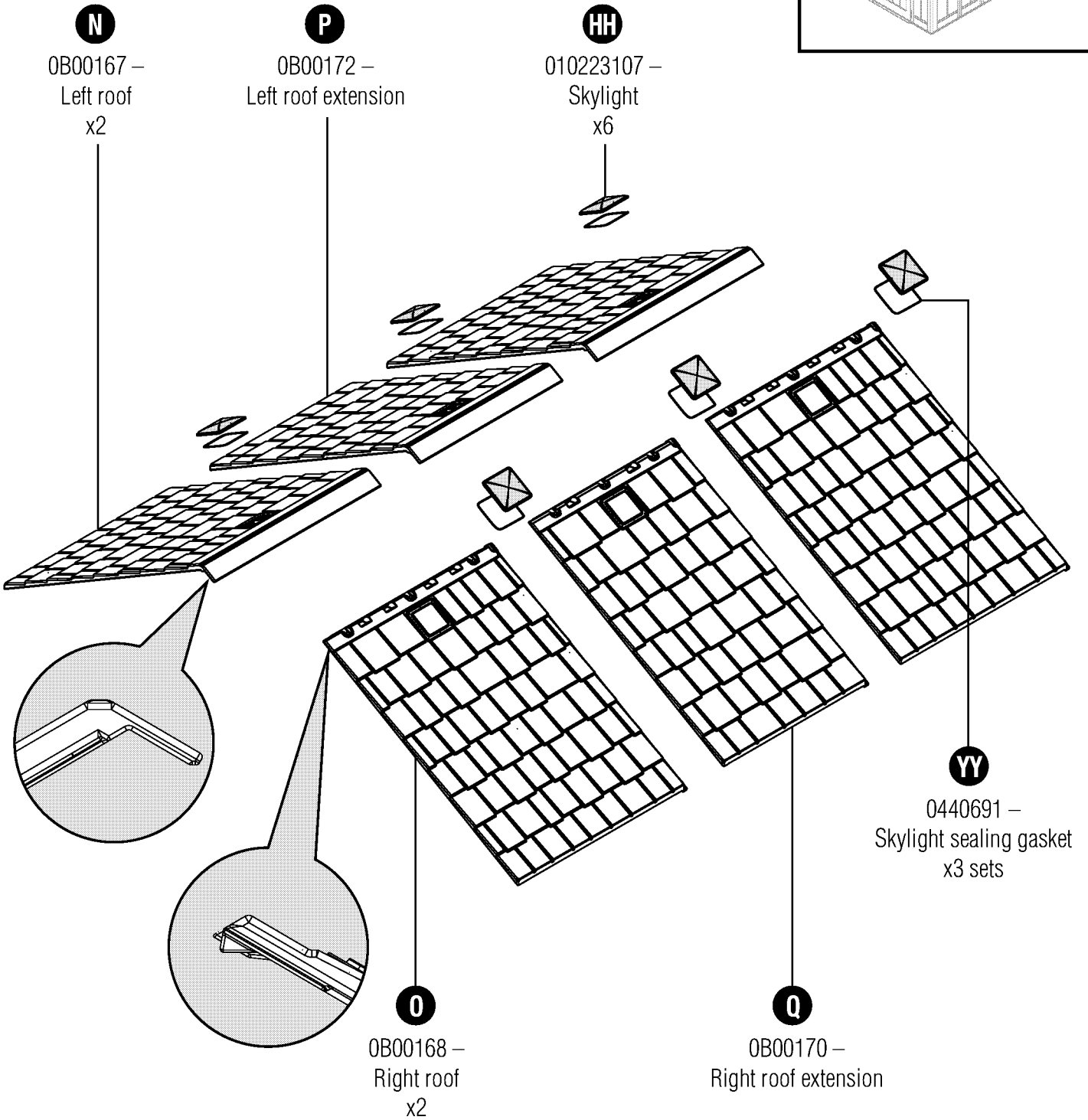
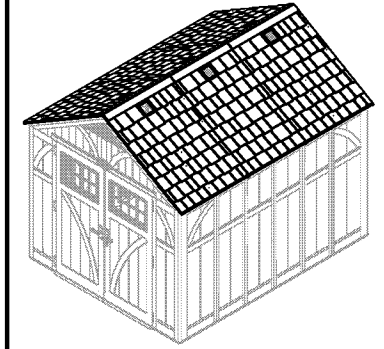
OMP000004 – Truss strap
x4

Parts - Roof

IMPORTANT

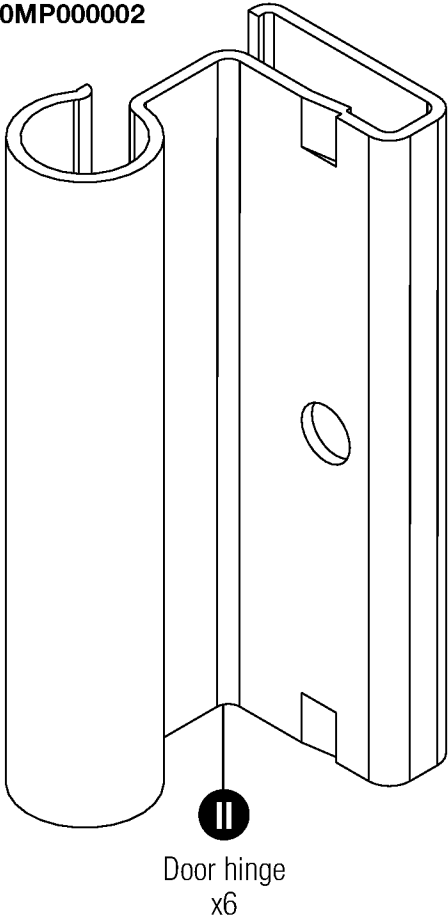
OPEN ALL BOXES FIRST AND NEATLY LAYOUT PARTS. SMALL PARTS MAY BE CONTAINED IN EACH BOX. PLEASE REFERENCE THE PARTS LIST WITHIN THIS MANUAL TO VERIFY ALL PARTS ARE PRESENT.

COMPLETE SITE PREPARATION AND FOUNDATION CONSTRUCTION BEFORE UNPACKING ALL PARTS.



Hardware

OMP000002



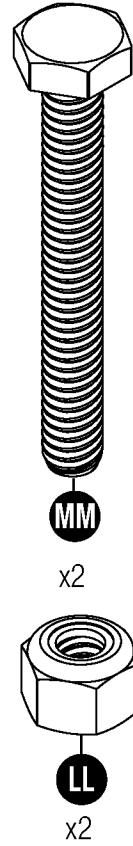
0480290 –
Hardware bag



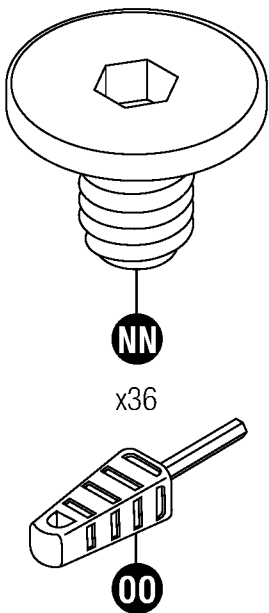
0480336 –
Hardware bag



0480374 –
Hardware bag



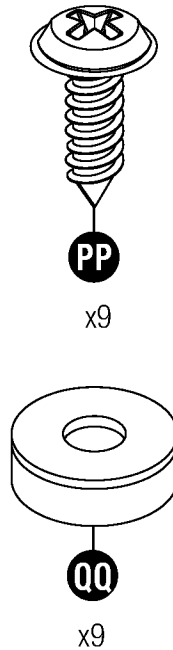
Easy bolt/Easy driver
Hardware bag



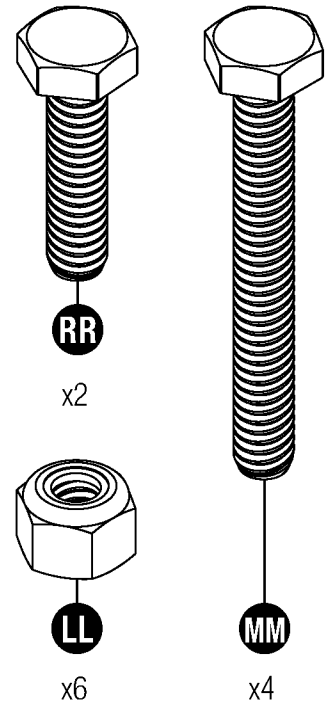
0480337 –
Hardware bag



0480338 –
Hardware bag



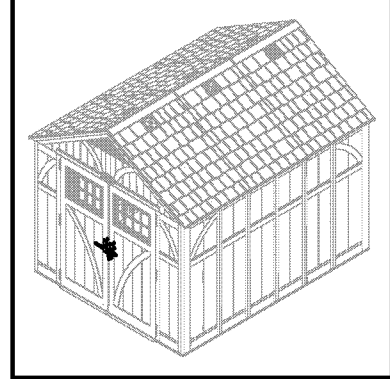
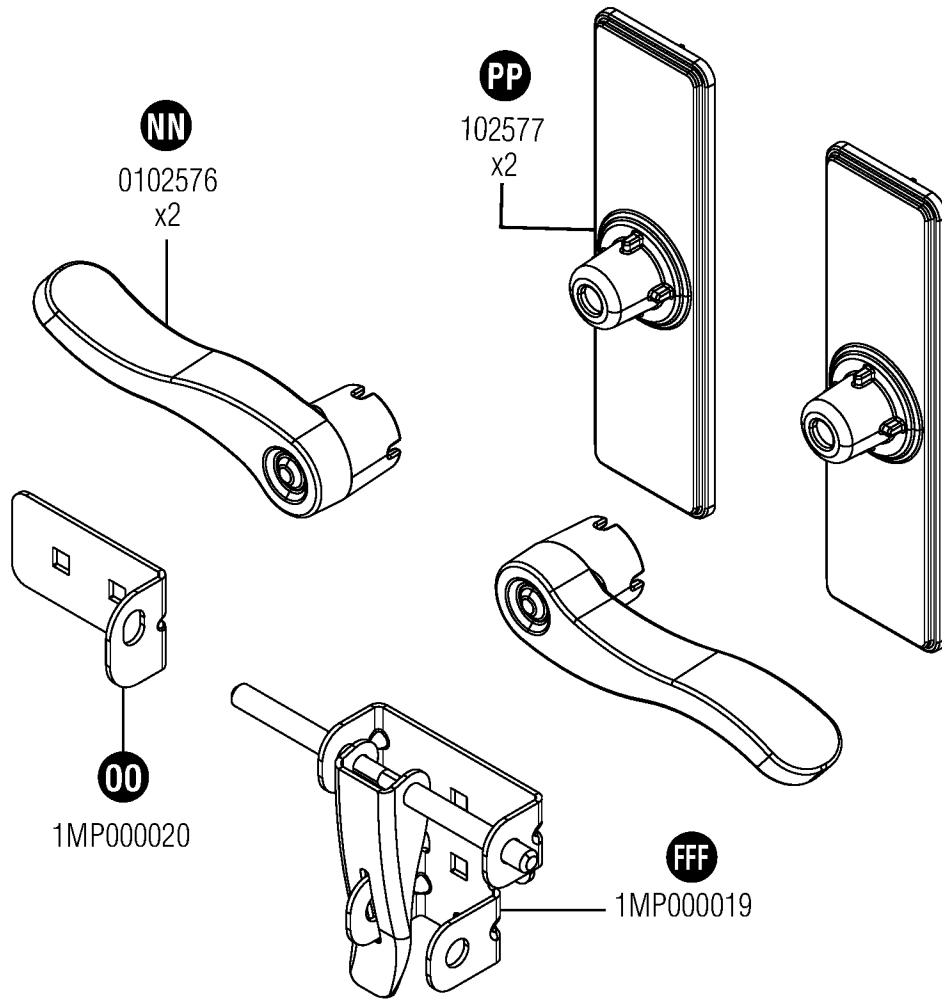
0480340 – Hardware bag



Hardware shown at actual size (*Unless otherwise noted.) Extra hardware provided. Not all are used.

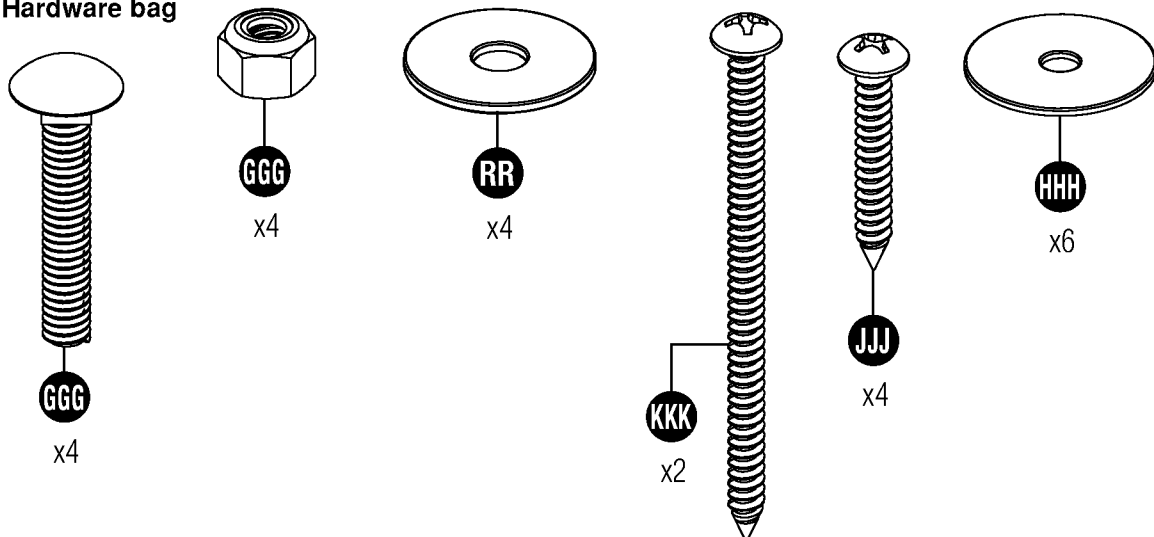
Door Handle Kit

0464240 – Door Handle Kit



Hardware

0480505 – Hardware bag



Hardware shown at actual size (*Unless otherwise noted.) Extra hardware provided. Not all are used.

Site Preparation and Platform Construction

Materials **NOT** supplied with Shed Kit

Note: Site preparation is required for this shed. Placing the shed on one of the constructed foundations detailed below is required. Without a constructed foundation, settling will probably occur, causing distortion and damage to the shed. SunCast is not responsible for replacing parts damaged or property lost due to incorrect assembly. Warranty requires foundation.

Note: Complete the site preparation and foundation construction before unpacking parts and beginning assembly. For tips on site preparation, go to www.suncast.com, consult retailer, or local code.

To prepare your shed site, follow the steps below:

- 1) Consult your local authorities for building codes and covenants before beginning foundation or erecting shed.
- 2) Before any digging, check with local utilities to determine location of buried cables, pipes, etc.
- 3) Decide which type of foundation you want:
 - Concrete slab, 4" thick

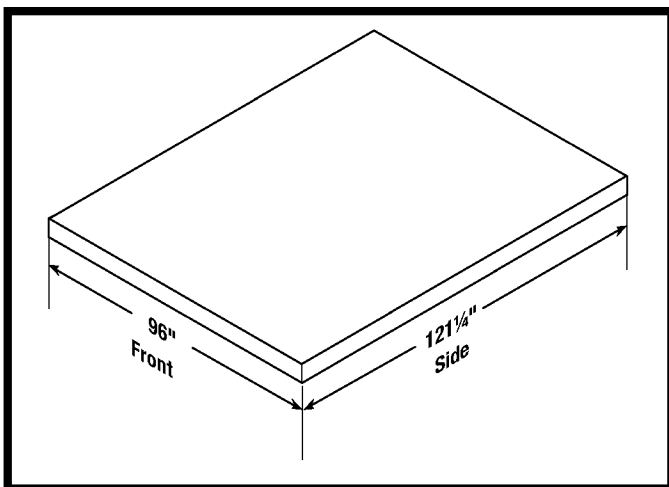
OR

- Wood platform

Use exterior grade wood. The wood platform should be set on pier blocks or footing. Consult your local retailer for help to determine the best anchoring method for your particular installation. The provided plans are sized for the minimum number of cuts to lumber and plywood.

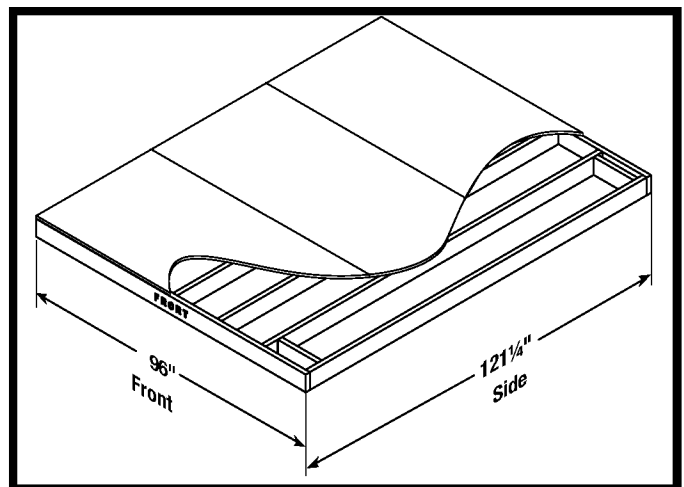
- 4) Prepare the building site:
 - The ground should slope away from the foundation area to provide drainage.
 - The foundation surface must be flat and level.
 - A vapor barrier should be provided to prevent excessive condensation in the shed.
 - Follow local building codes for a proper vapor barrier.
- 5) Anchoring the shed to the foundation:
 - Consult your local retailer for help to determine the best anchoring method for your particular installation.
 - To secure the shed to a concrete slab, use masonry fasteners available at your local hardware retailer.
 - To secure the shed to a wood platform, use 1/4" x 3" long lag screws with washers.

Anchoring floor panel to concrete slab



- Secure shed to concrete slab using masonry fasteners.
- Dimensions allow for shed to fit within the nearest 1" on each side.

Anchoring floor panel to wood platform

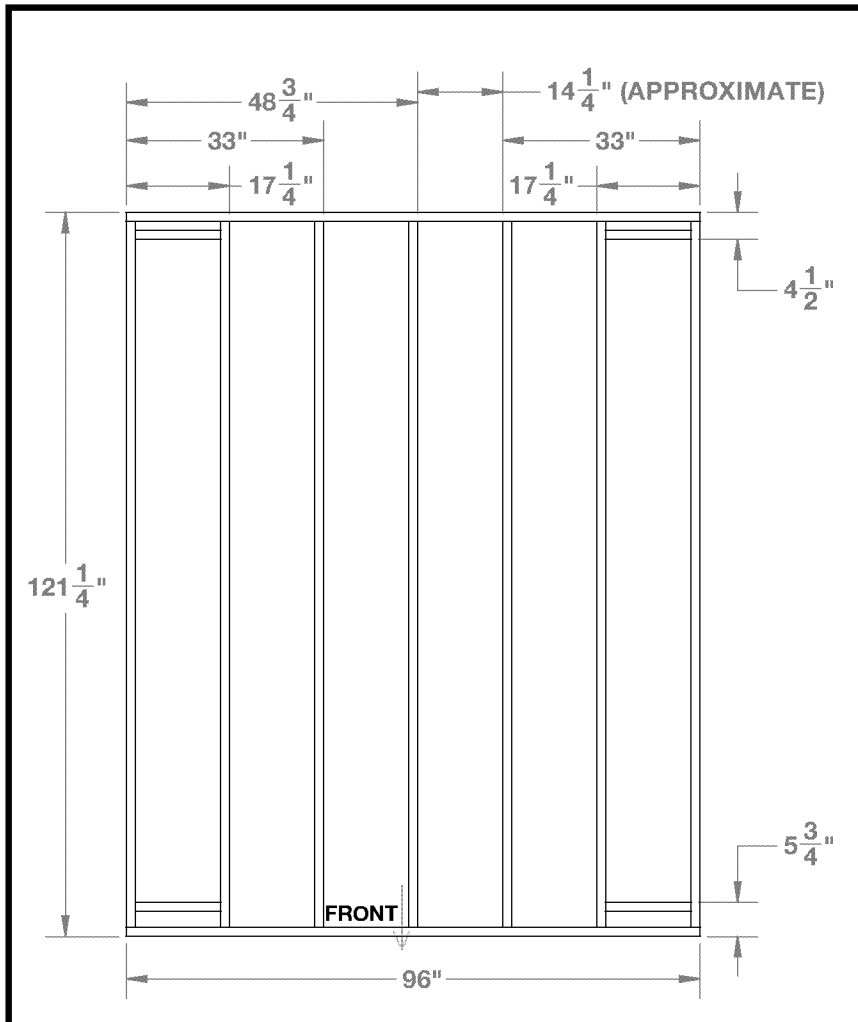


- Secure shed to wood platform using 1/4" x 3" lag screws.

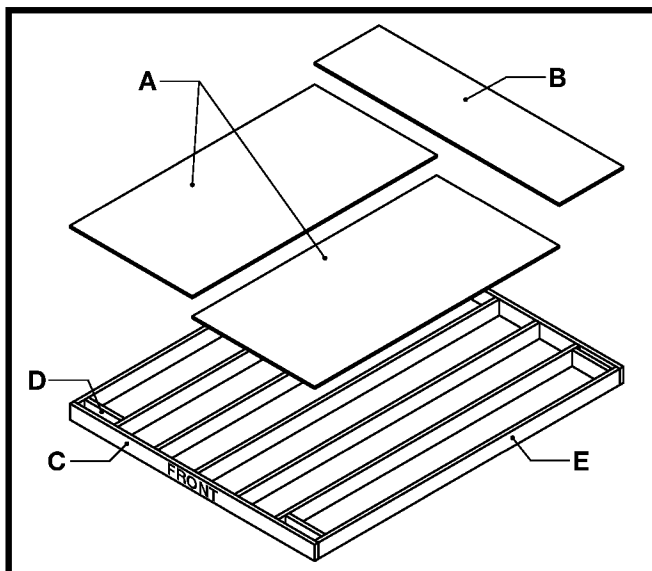
Site Preparation and Platform Construction (continued)

Materials **NOT** supplied with Shed Kit

Wood platform critical spacing



- Check all critical spacing measurements.

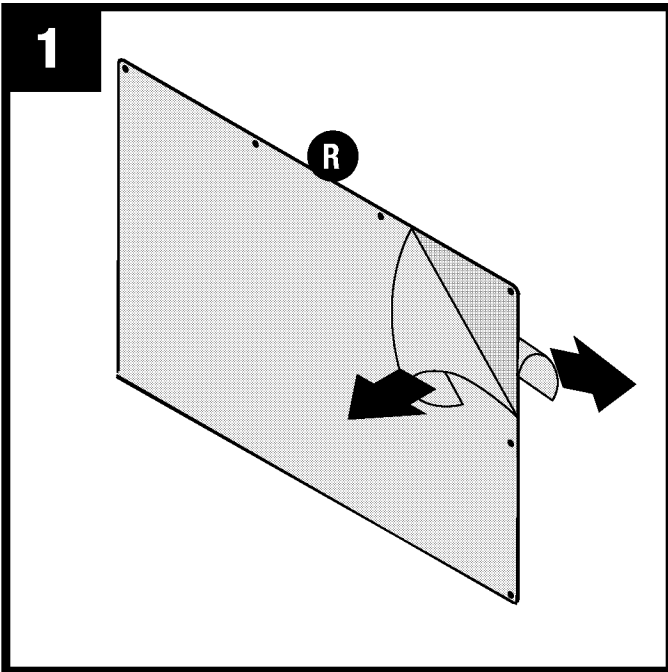


Wood platform materials list

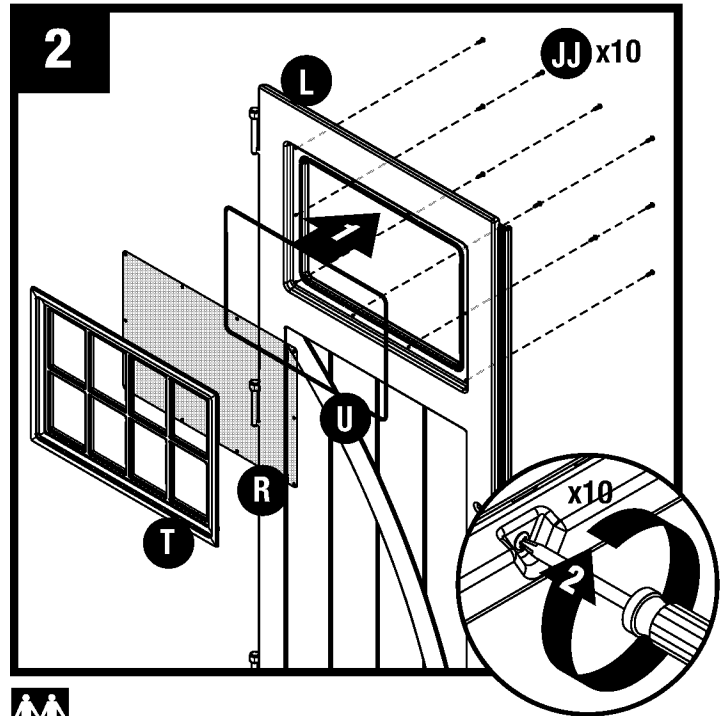
A	2	48" x 96" x 3/4" Plywood
B	1	25 1/4" x 96" x 3/4"
C	2	2" x 6" x 96"
D	4	2" x 6" x 14 1/4"
E	7	2" x 6" x 118 1/4"

PLEASE NOTE-DIMENSIONAL LUMBER IS ACTUALLY 1/2" SMALLER THAN NOTED SIZES (A 2x 6 BOARD ACTUALLY MEASURES 1 1/2" x 5 1/2")

Door Pre-Assembly

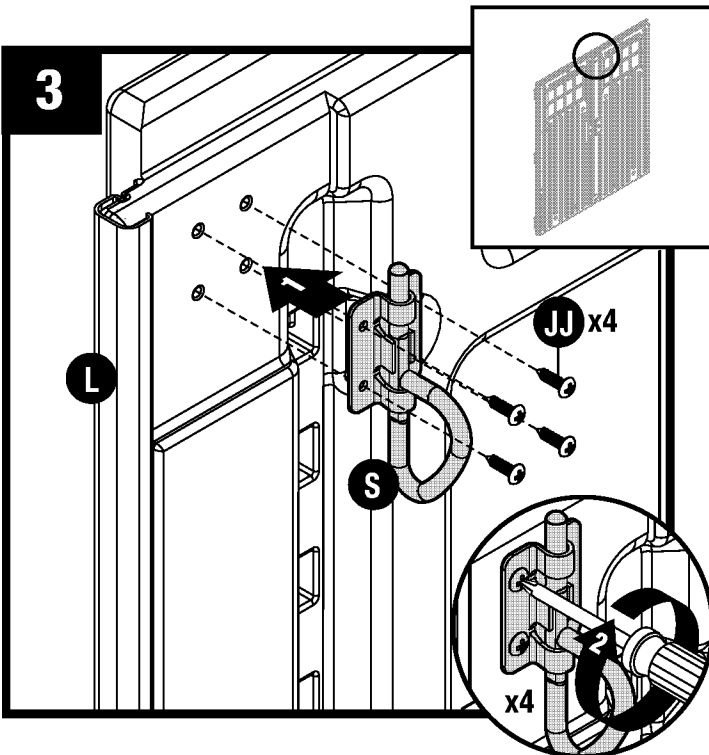


Peel film from both sides of window (R). Remove protective film from door edge.

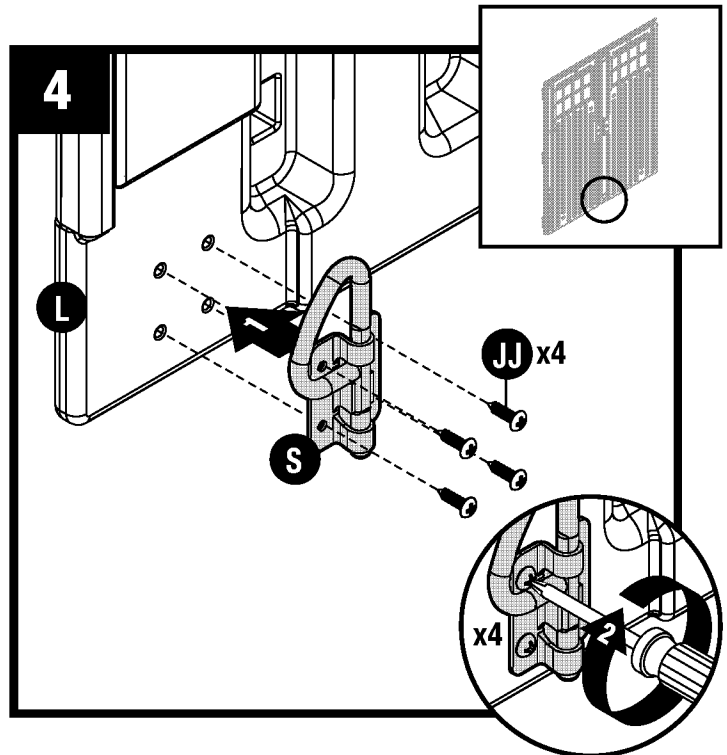


Place gasket (U), window (R), and frame (T) into door channel. Secure with ten screws (JJ), starting at corners. **DO NOT** over tighten screws. Repeat for right door (M).

Note: The cut portion of gasket (R) **MUST** be assembled on bottom of door channel.

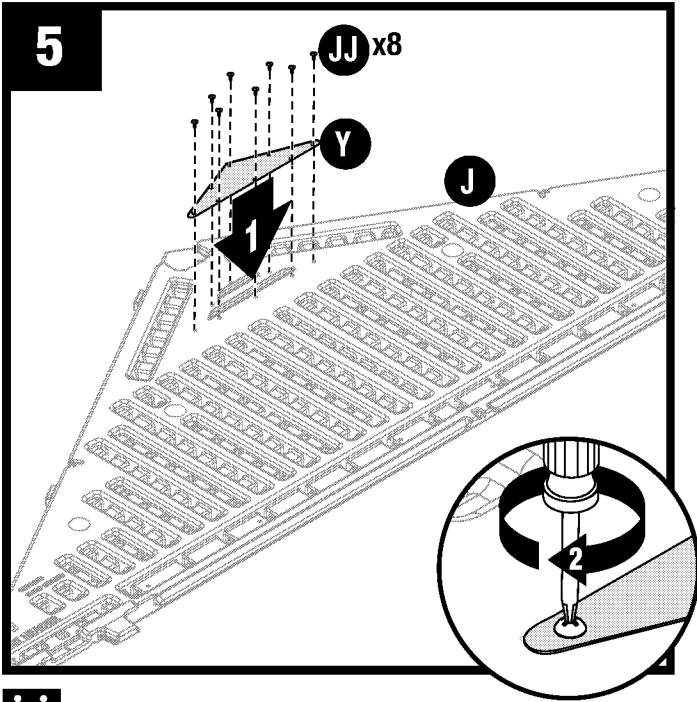


At top interior side of left door (L), attach D-ring slide bolt (S) with four screws (JJ).

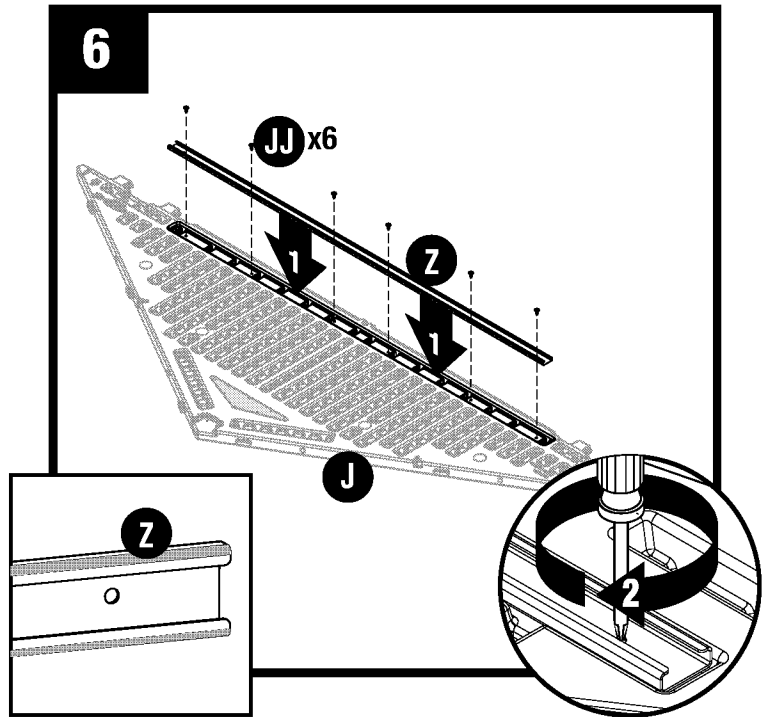


At bottom interior side of left door (L), attach D-ring slide bolt (S) with four screws (JJ).

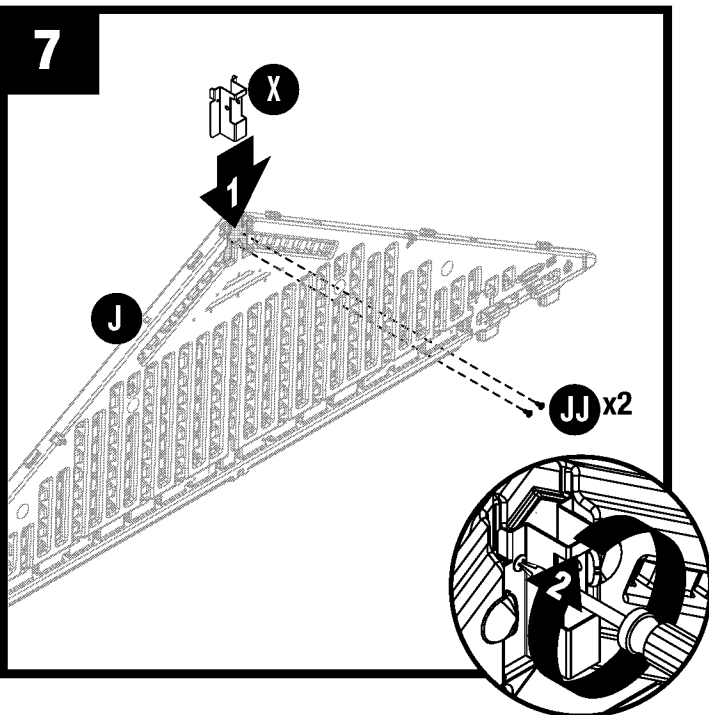
Header Pre-Assembly



Lay front header (J) on ground with lettering side facing up. Place fiberglass vent screen (Y) into rear opening in front header (J). Secure with eight screws (JJ). **DO NOT** over tighten screws.



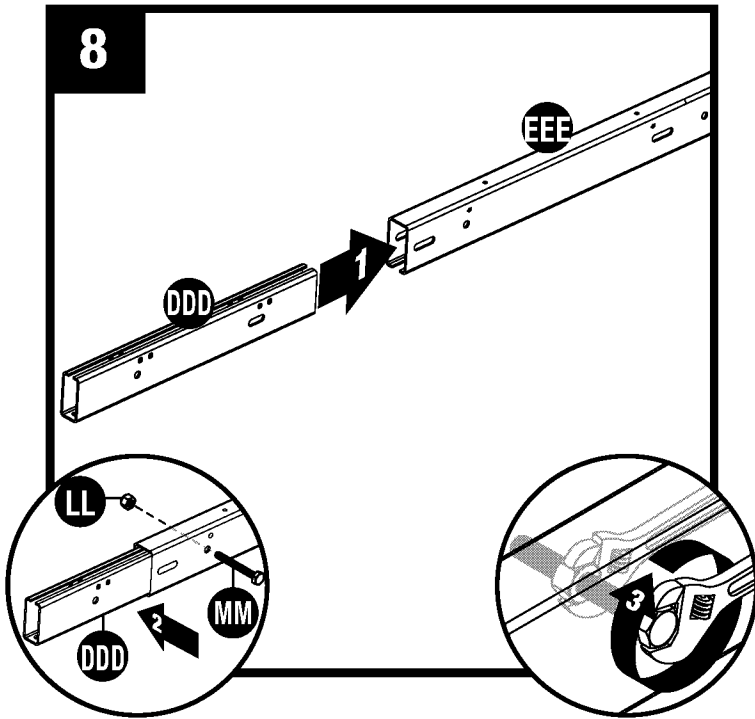
Place header beam (Z) into pocket of front header (J). Secure with six screws (JJ). **DO NOT** over tighten screws.



Slide roof ridge beam bracket (X) under tabs on inside peak of front header (J) and secure with two screws (JJ). **DO NOT** over tighten screws.

Repeat Steps 5-7 for rear header (K)

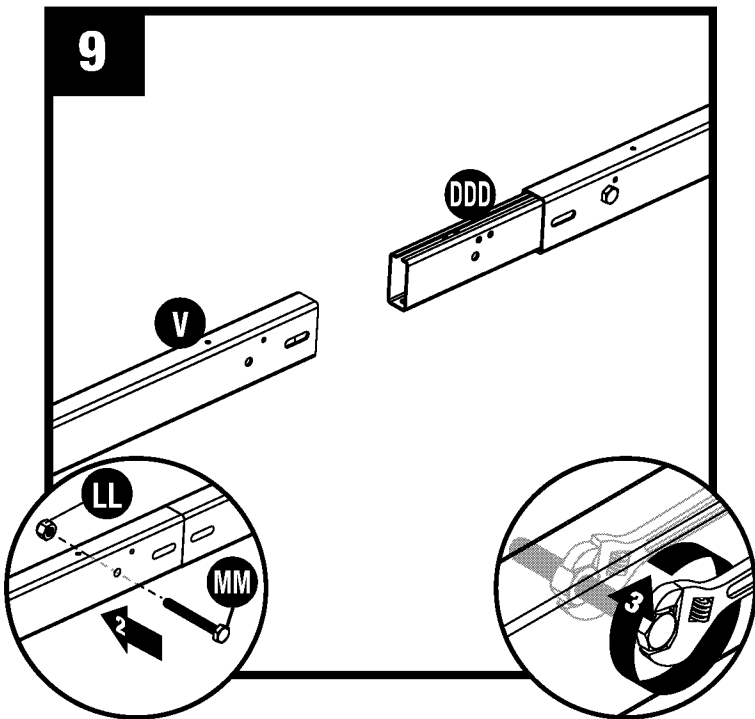
Ridge Beam Pre-Assembly



Place ridge beam joiner (DDD) into the 3' ridge beam (EEE). Secure with hex bolt (MM) and nut (LL).

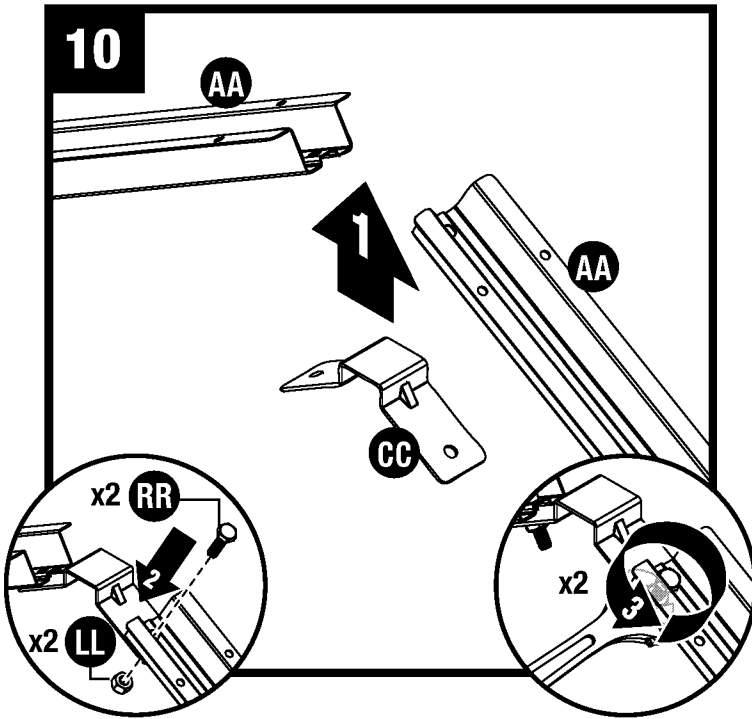


Part (EEE) orientation is critical, see picture.



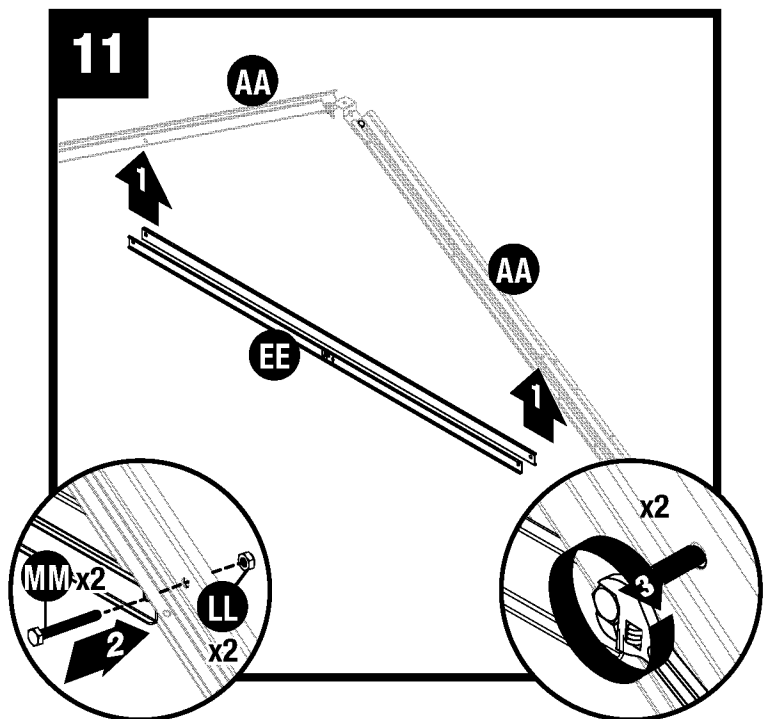
Place 7' ridge beam (V) onto the ridge beam joiner (DDD). Secure with hex bolt (MM) and nut (LL).

Roof and Truss Pre-Assembly

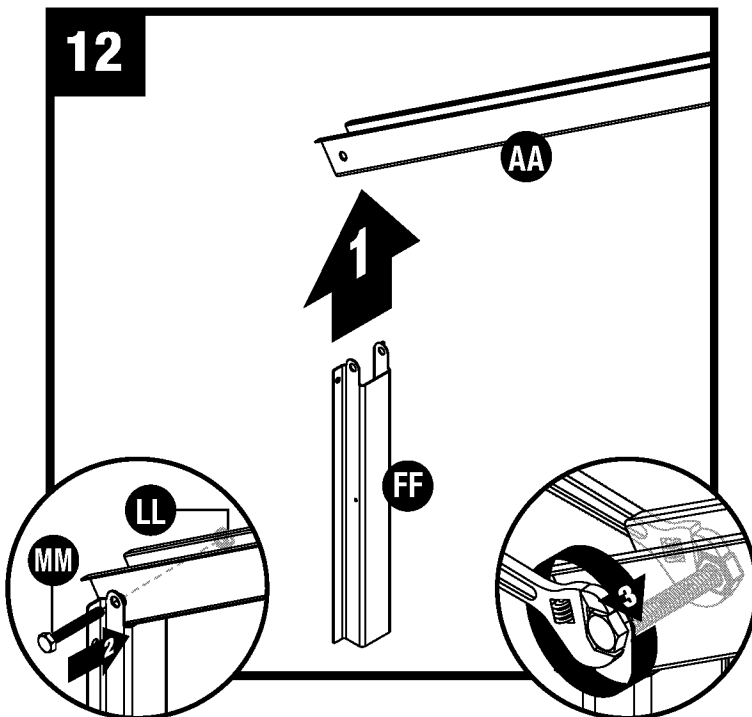


Attach truss bracket (CC) to end of one truss leg (AA) with one hex bolt (RR) and one nut (LL).

Repeat for second truss leg (AA).



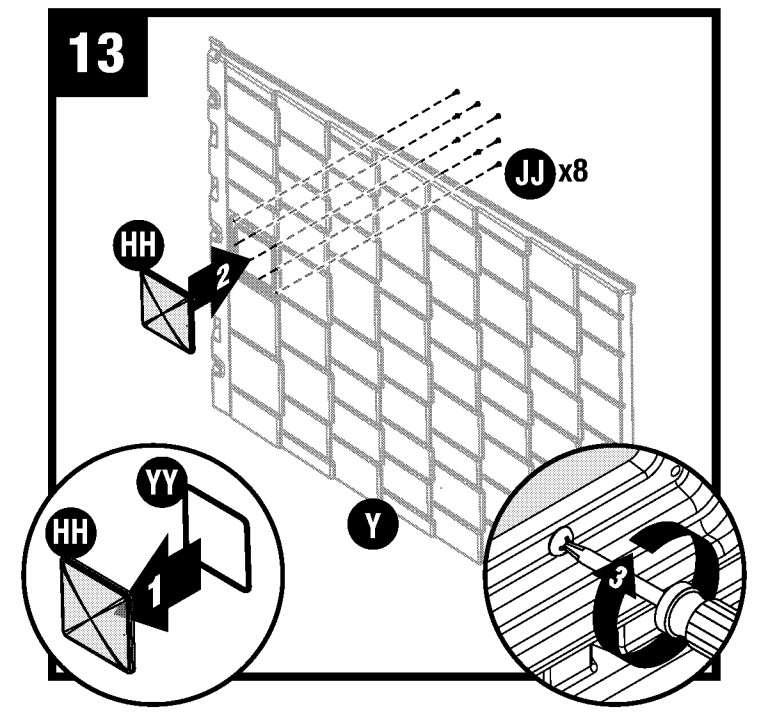
Attach two truss cross beams (EE) to two truss legs (AA) with two cap screws (MM) and two nuts (LL). Stand truss and check cross beam is level.



Attach side adaptor bracket (FF) at end of left truss leg (AA) with one cap screw (MM) and one nut (LL).

Repeat for remaining side adaptor bracket (FF).

Note: DO NOT over tighten. This makes roof assembly difficult.

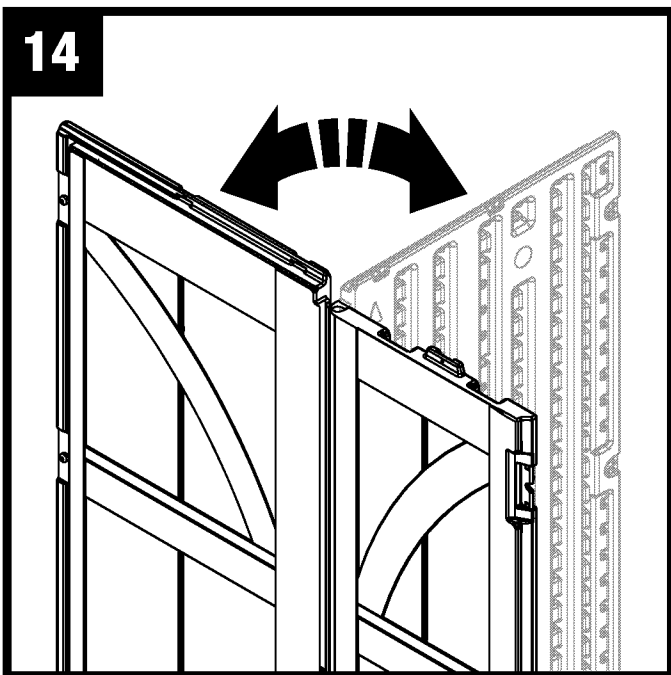


Place skylight gasket (YY) into skylight (HH). Place skylight (HH) onto right roof panel (O). Secure from underside with eight screws (JJ). Make sure rib on plastic parts is seated fully against gasket on skylight.

Repeat for remaining roof panels.

Shed Assembly/Walls

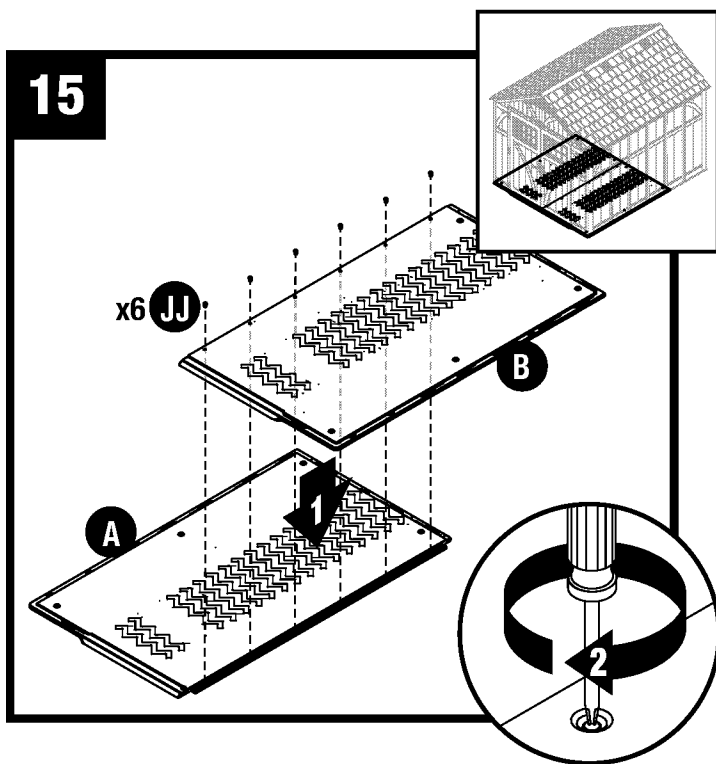
14



Critical: When installing corners, flex corner hinges back and forth several times. This will help provide a square corner and ensure proper fit of remaining panels.

Important: DO NOT flex in reverse position, as this can crack the panel.

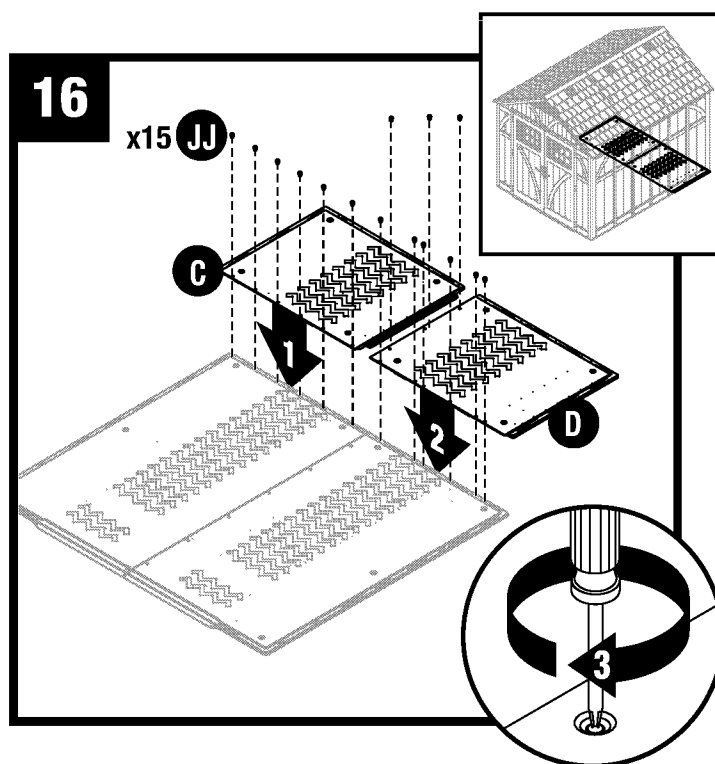
15



Push left floor (A) and right floor (B) panels together and secure with six screws (JJ).

Note: Refer to pages 11 and 12 to secure floors to foundation.

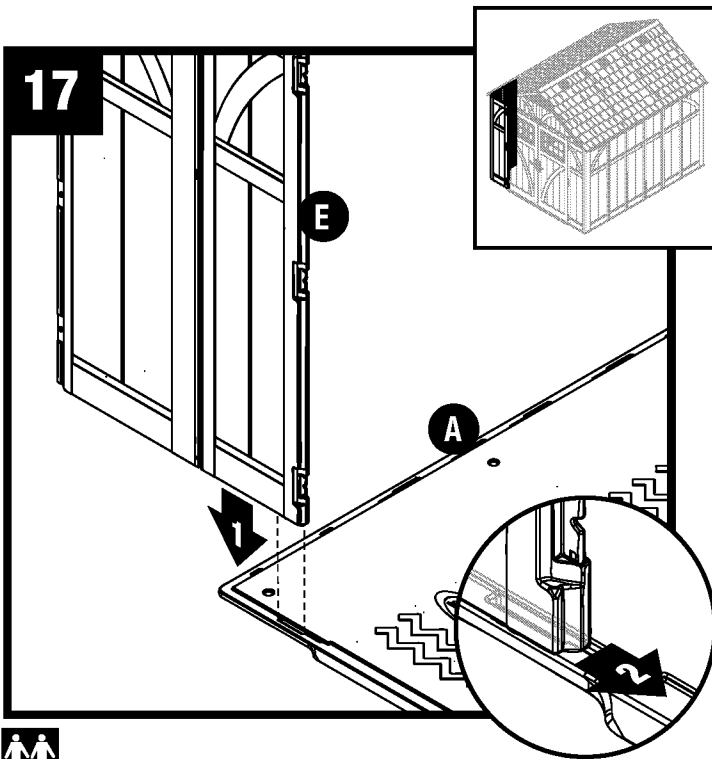
16



Repeat Step 15 for left floor extension (C) and right floor extension (D). Secure with 15 screws.

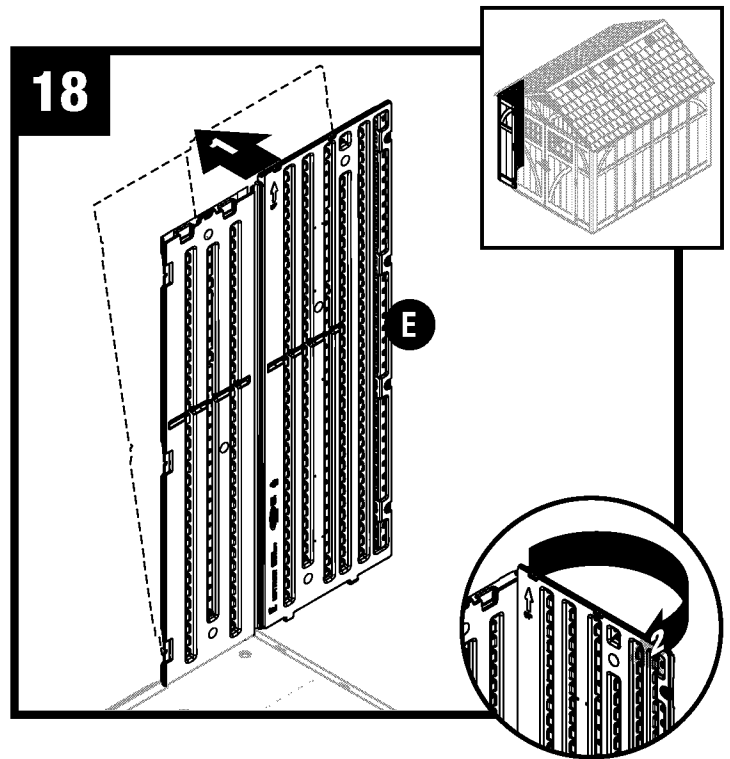
Note: Refer to pages 11 and 12 to secure floors to foundation.

Shed Assembly/Walls (continued)

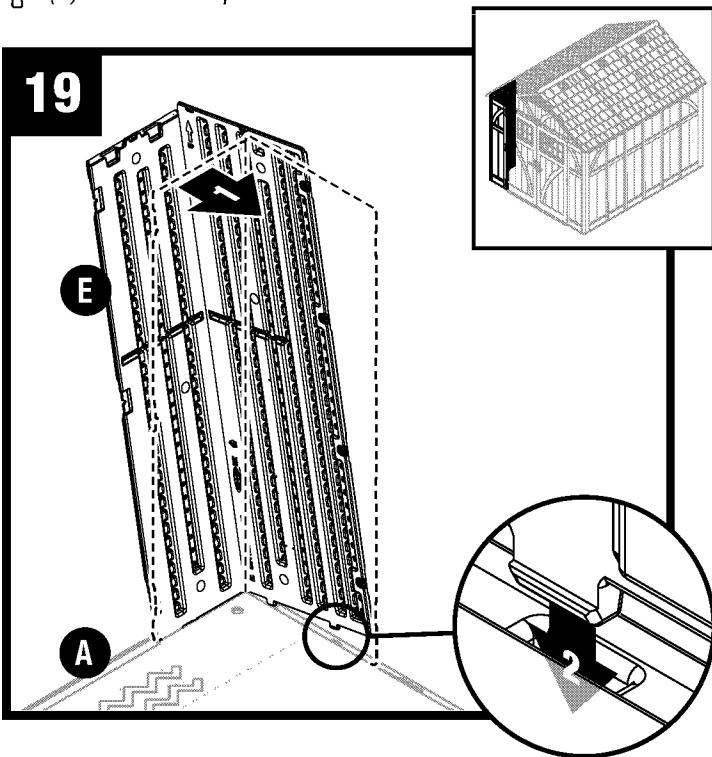


Align tab on bottom of left front corner (E) with slot on left floor (A). Lower panel into slot and lock in place by sliding panel toward door opening.

Note: Use a rubber mallet to “push” left front corner (E) into locked position.

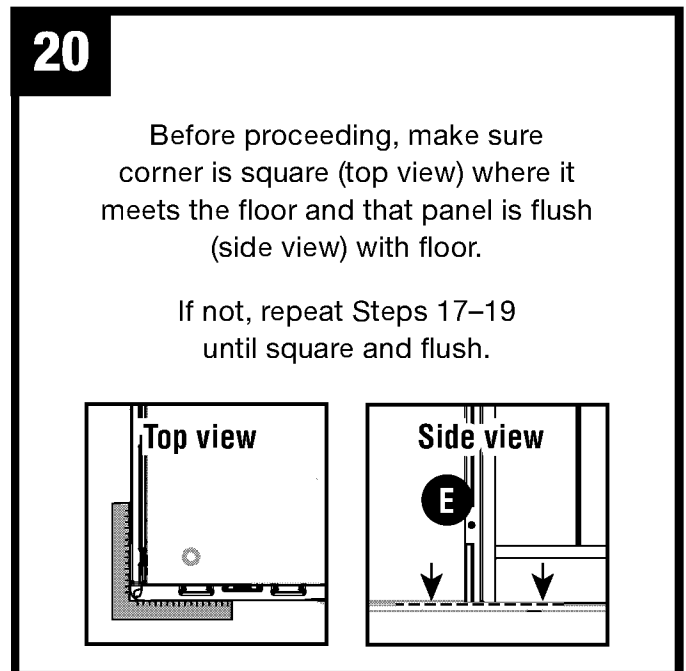


Tip left front corner (E) outward slightly and bend corner hinge.

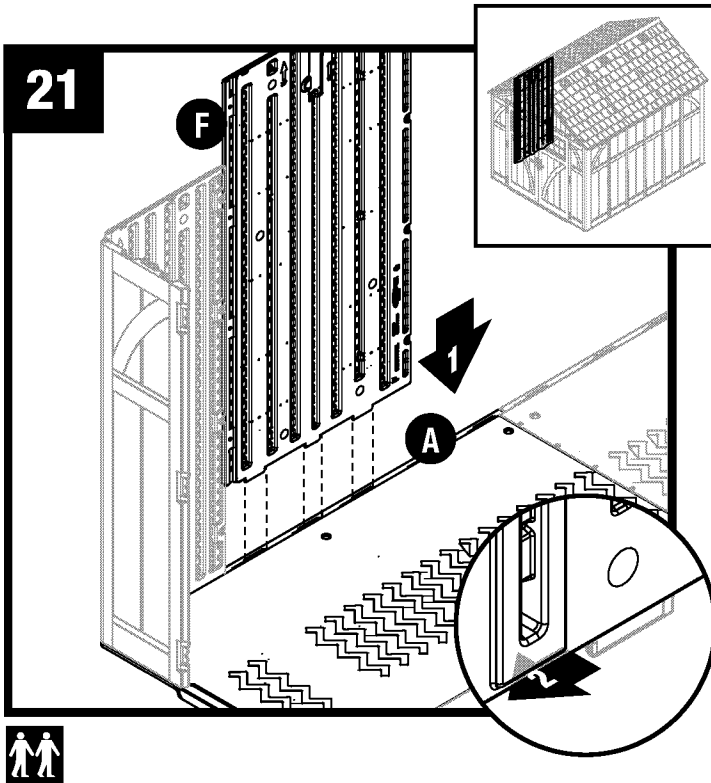


Tip left front corner (E) back to vertical position and align lower tabs on right side with slots in floor.


Note: You will hear a snap when tab is fully engaged.

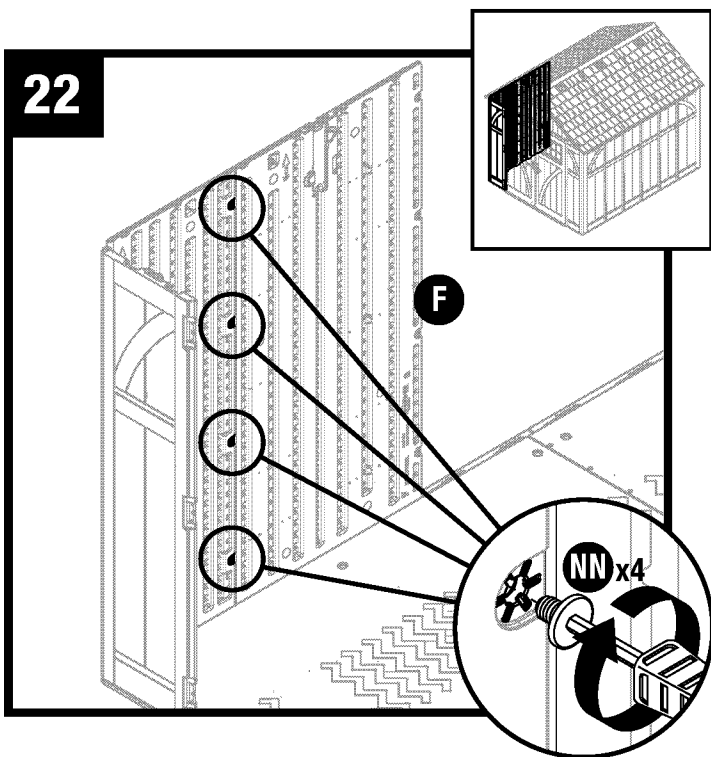


Shed Assembly/Walls (continued)



Align tabs on bottom of side panel (F) with slots along floor (A). Lower panel into slots and lock in place by sliding panel toward front corner.

 **Note:** Use a rubber mallet to “push” side panel (F) into locked position.

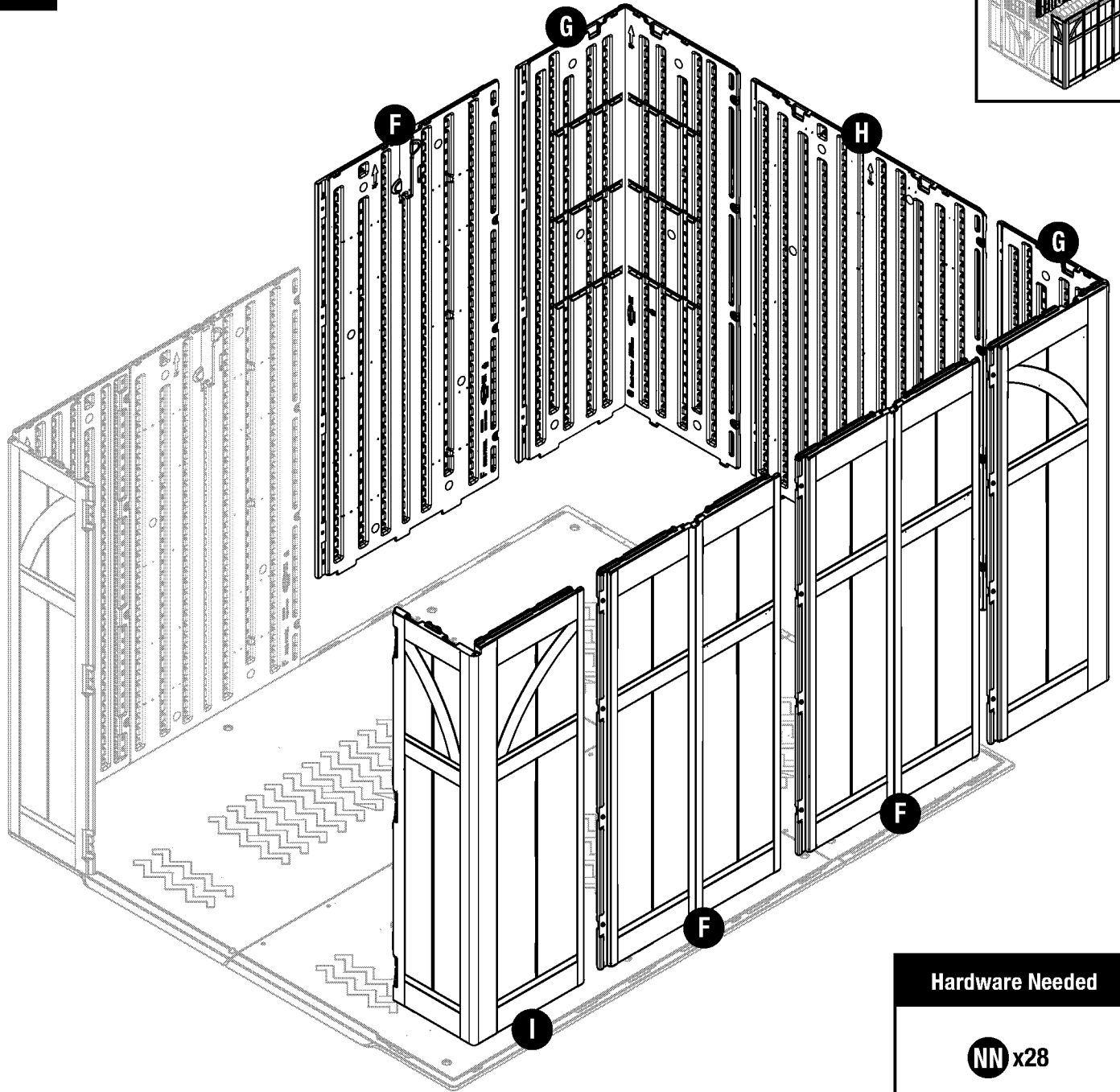
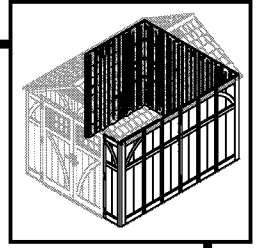


Secure side panel (F) with four easy bolts (NN), working from floor to roof. **DO NOT** use torque wrench. Use easy bolt easy driver (OO) and hand tighten. Easy bolt head will be flush when fully seated. **DO NOT** over tighten easy bolts.

Note: You may hear a click when easy bolt has been tightened completely.

Shed Assembly/Walls (continued)

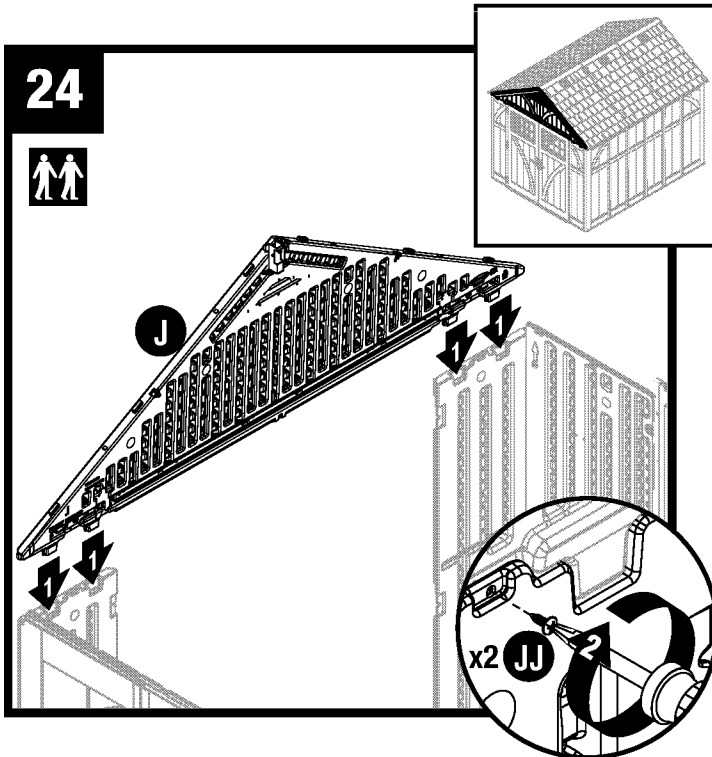
23



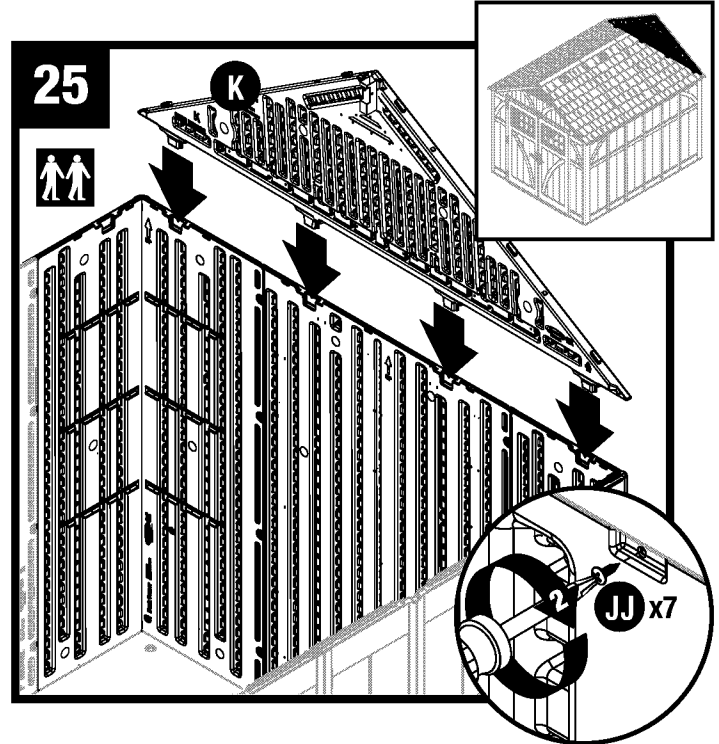
Hardware Needed
NN x28

Repeat Steps 17-22 for remaining panels.

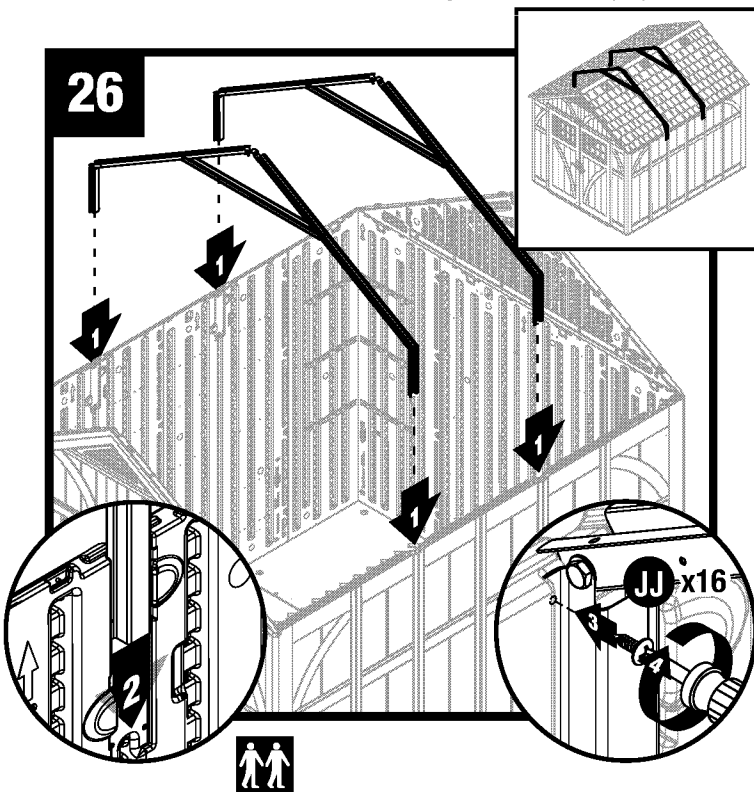
Shed Assembly/Headers and Truss



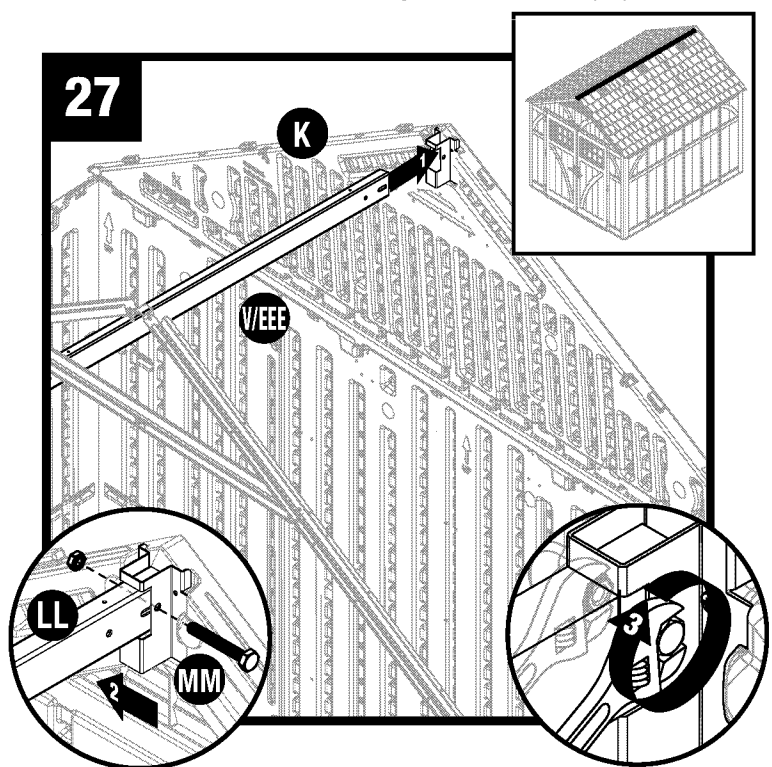
Place front header (J) over door opening and fit four protruding support legs into pockets molded in front corners. Secure front header using two screws (JJ).



Place rear header (K) over back walls and fit four protruding support legs into pockets molded in back walls. Secure rear header using seven screws (JJ).



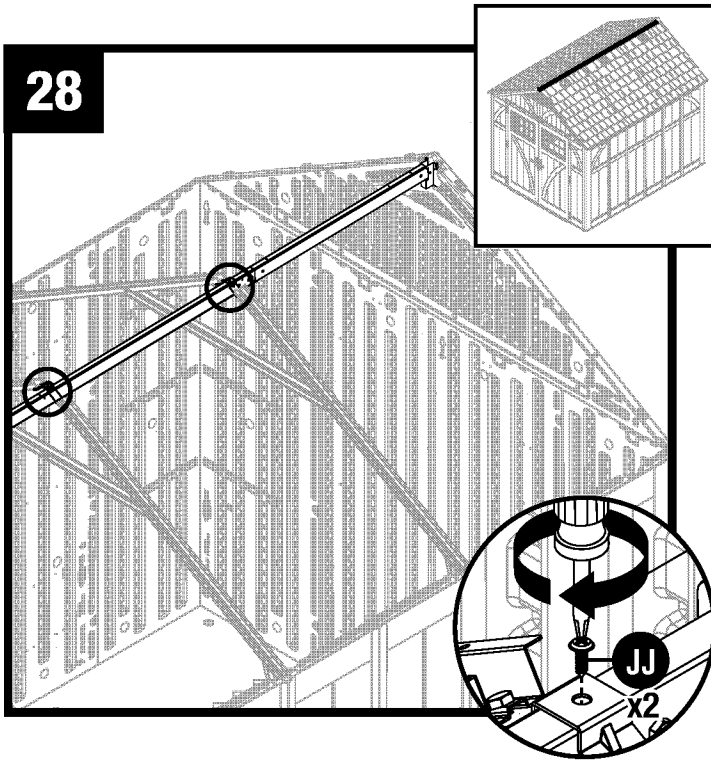
Slide truss assemblies into place. Secure with four screws (JJ) in each side adaptor bracket.



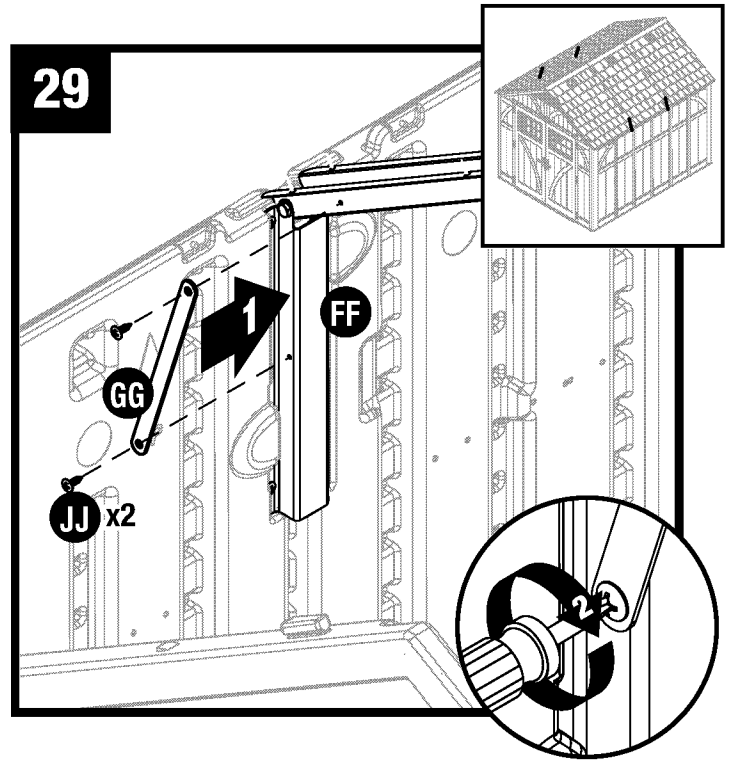
Raise ridge beam (V/EEE) up and into rear header (K). Secure with one bolt (MM) and one nut (LL). DO NOT tighten. Repeat for front header (J).

Note: Header panels may need to be pushed inwards or outwards slightly as ridge beam is slid into place.

Shed Assembly/Headers and Truss (continued)



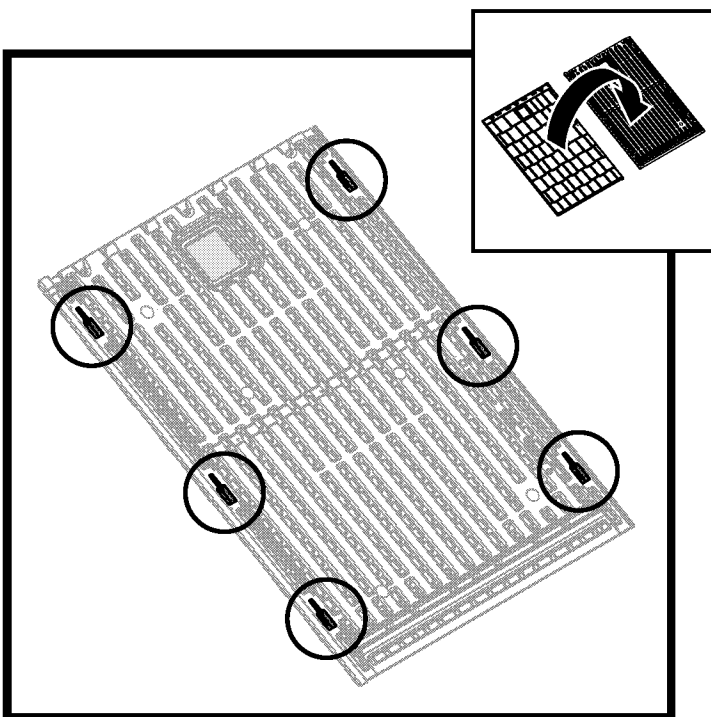
Attach the roof truss assembly to the ridge beam with two screws (JJ).



Attach truss strap (GG) to side adaptor bracket (FF) with two screws (JJ).

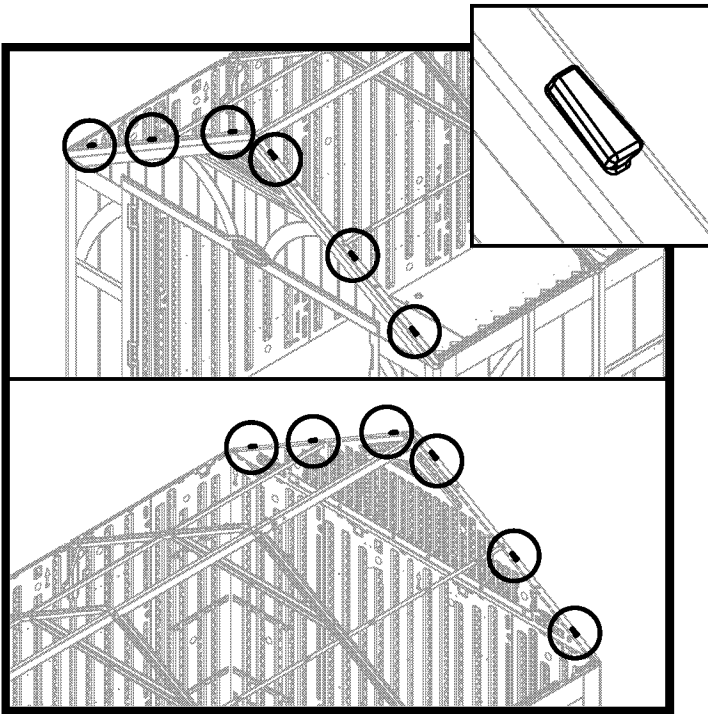
Repeat for remaining truss straps.

Shed Assembly/Roof

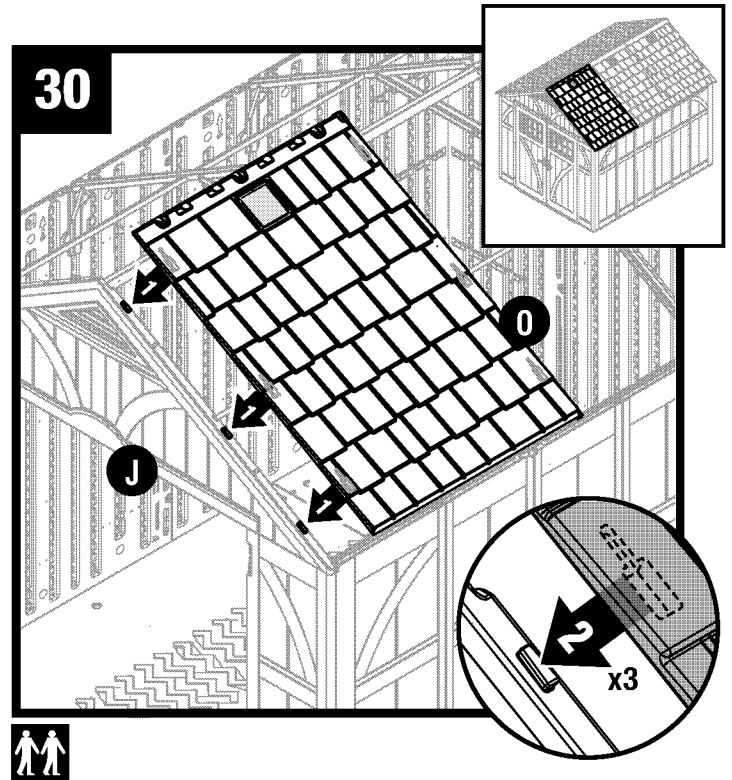


Before proceeding, locate and identify the six slots on interior side of right and left roof panels.

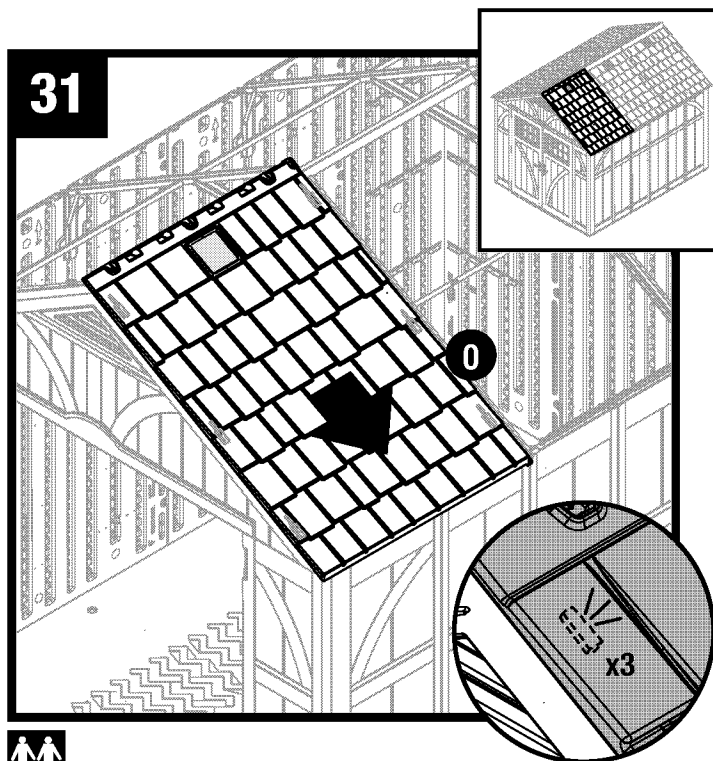
Shed Assembly/Roof (continued)



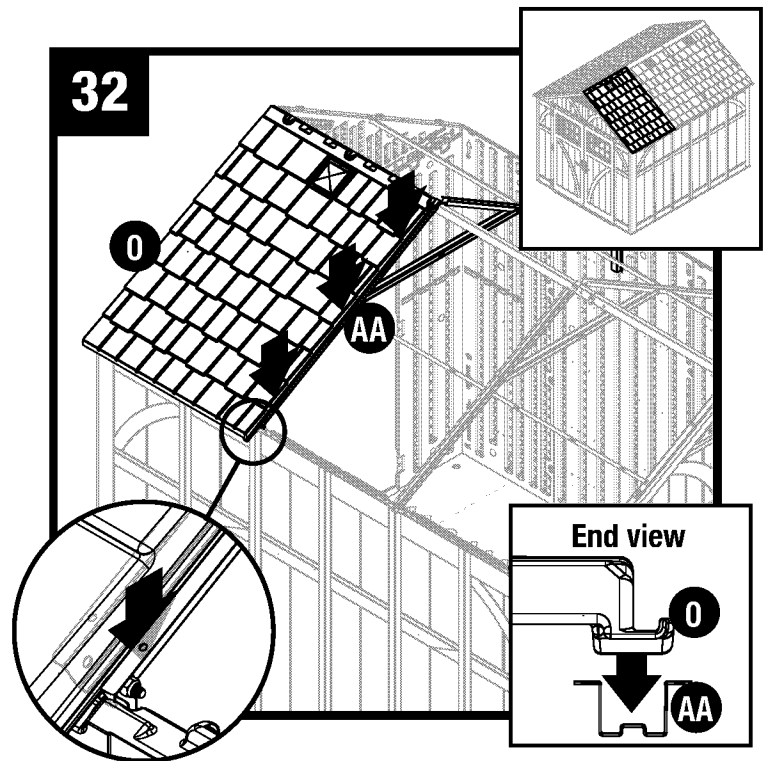
Before proceeding, locate and identify six front header tabs and six rear header tabs.



Lay right roof (O) directly over three tabs on right side of front header (J). With right roof slots seated over/on header tabs, check alignment in all three spots.

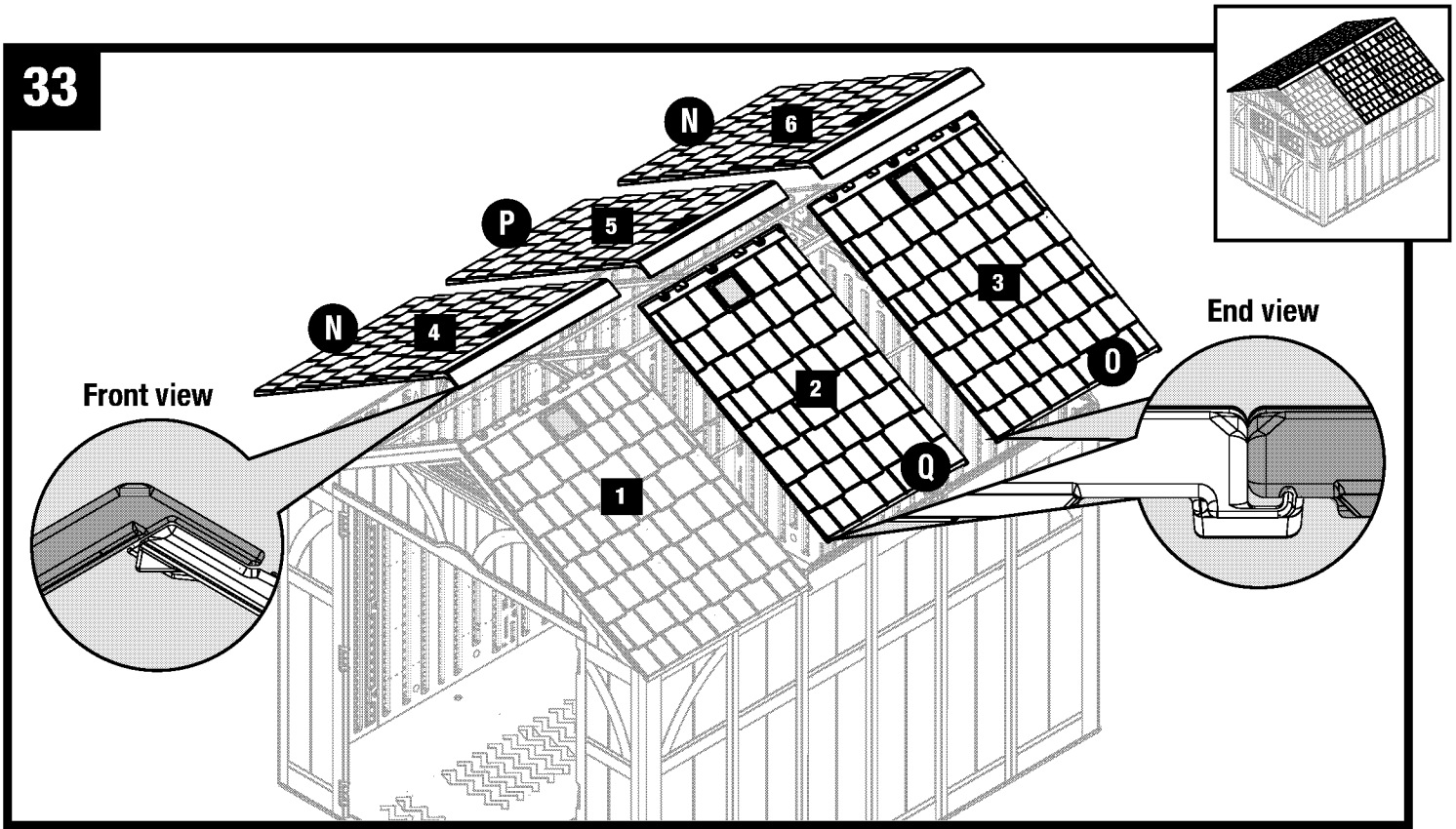


Slide right roof (O) down towards the outside of shed.

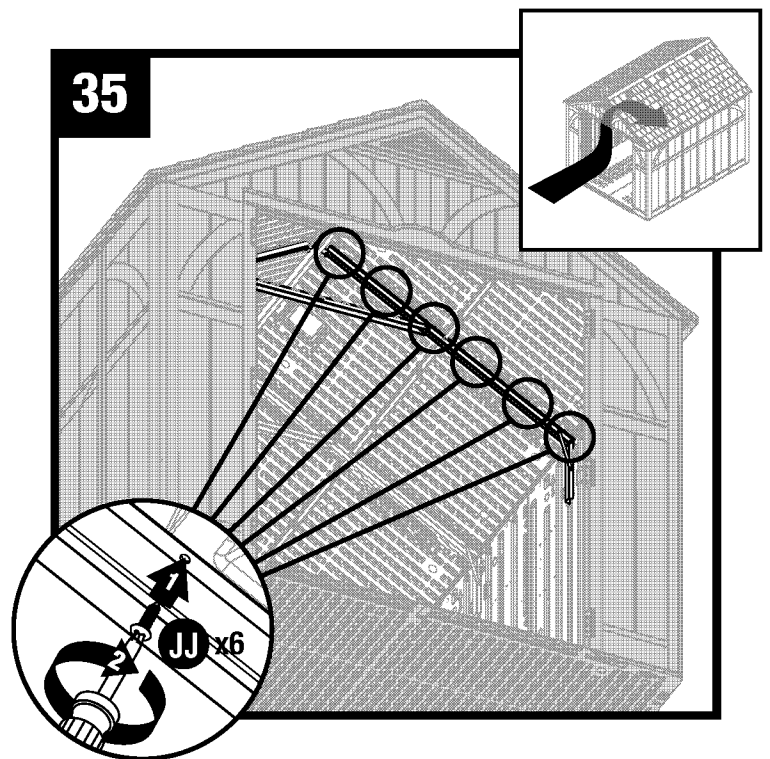
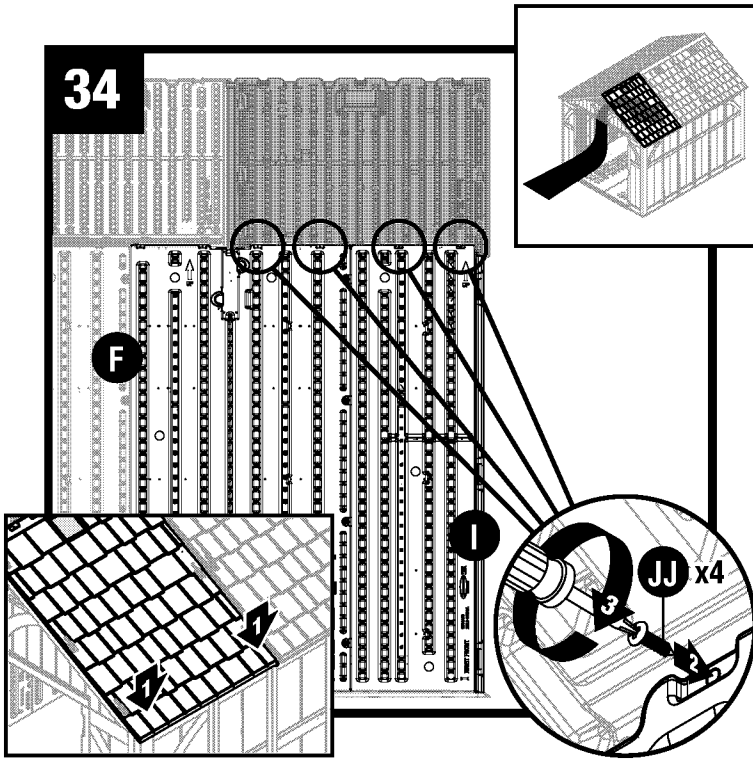


Press edge of right roof (O) into channel on truss leg (AA).

Shed Assembly/Roof (continued)



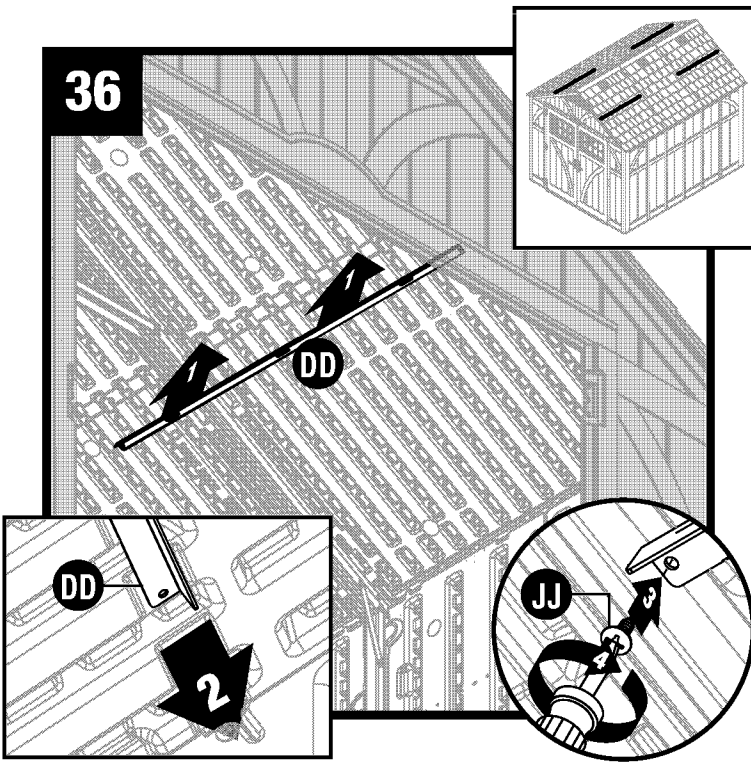
Repeat Steps 30-32 for remaining roof panels. Install panels in the order shown. **Note: At this point, fully tighten ALL hardware.**



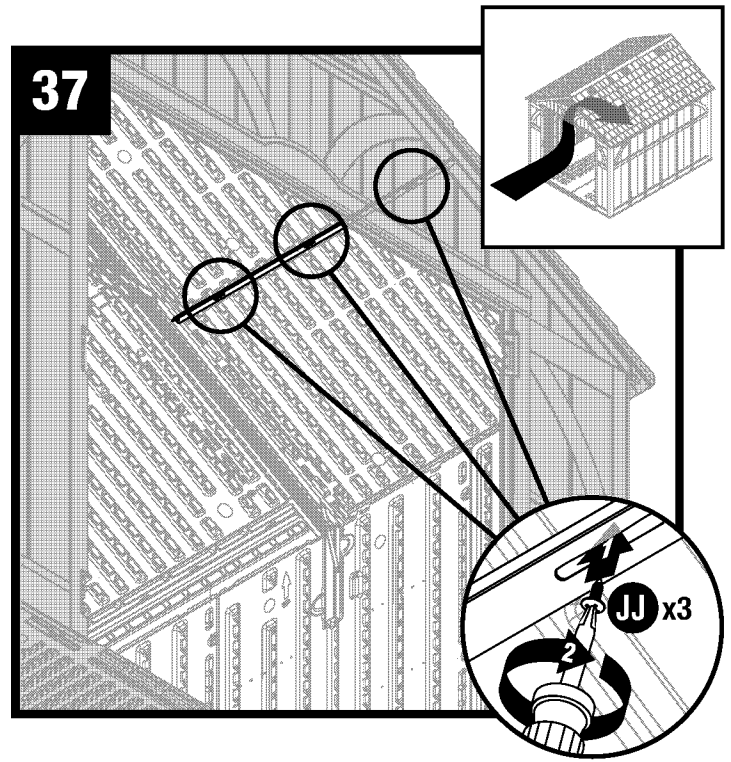
Pull down each lower corner of roof from outside. From inside shed, attach tabs on right front corner (I) and side panel (F) to roof panel with four screws (JJ).

Secure roof to truss using six screws (JJ). Each screw will attach at a corresponding screw boss on the roof.

Shed Assembly/Roof (continued)

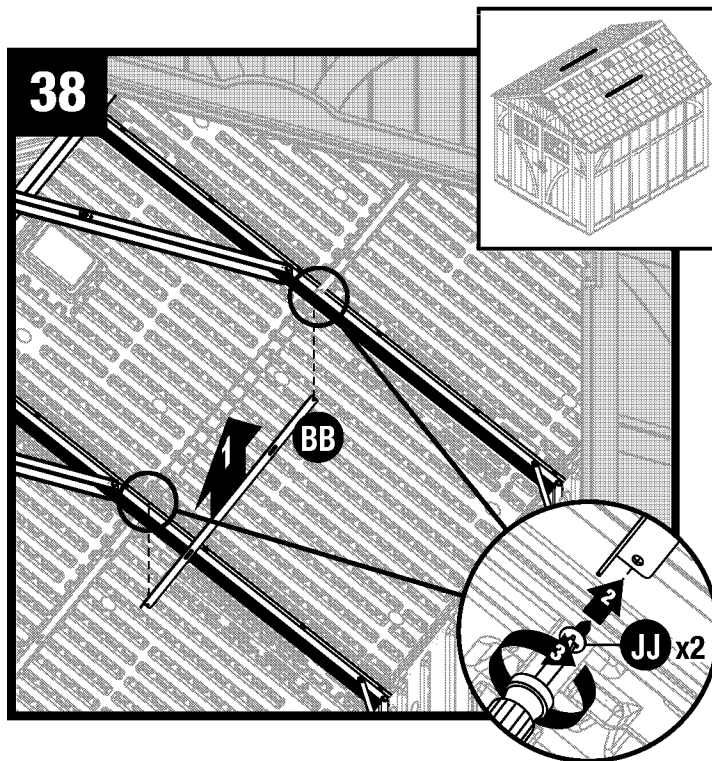


Raise roof support bracket (DD) into position against roof. Slide roof support bracket (DD) into front header. Secure roof support bracket (DD) to underside of truss leg with one screw (JJ).

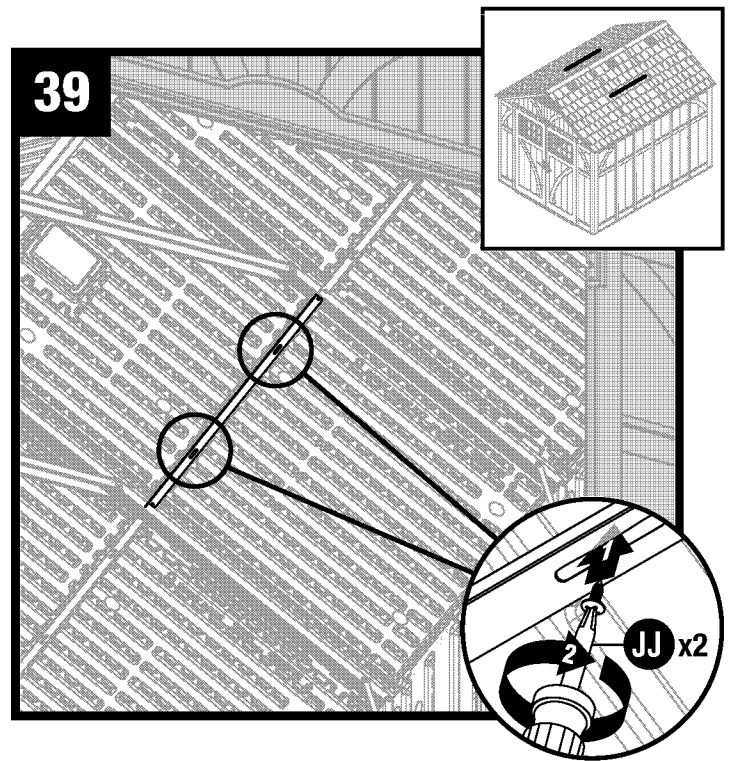


Secure roof support to roof using three screws (JJ).

Repeat Steps 36-37 to install and secure remaining roof support brackets to three outer roof panels.



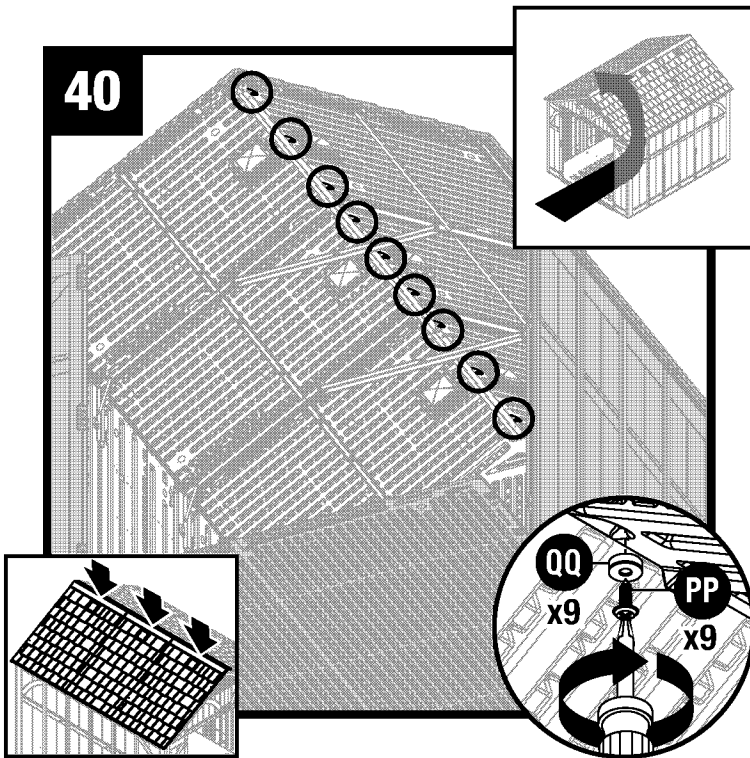
Attach roof support extension (BB) to truss legs with one screw (JJ), each side.



Secure roof support extension (BB) to inner roof panel using two screws (JJ).

Repeat steps 38-39 to install and secure remaining extension bracket to other inner roof panel.

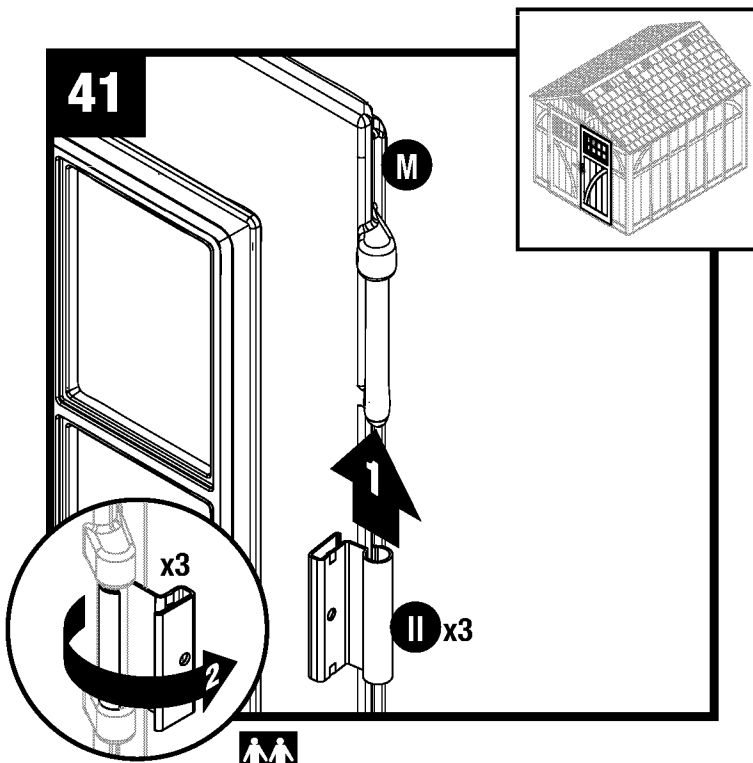
Shed Assembly/Roof (continued)



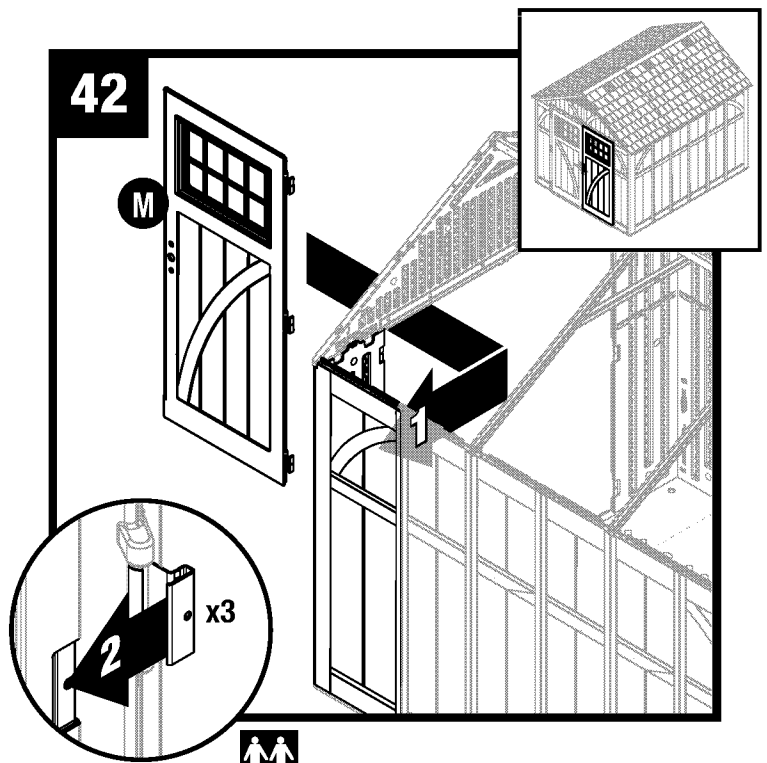
Push down the roof from outside. From inside shed, secure roof panels together along ridge of roof using nine rubber washers (QQ) and nine sealing screws (PP).

Note: For clarity, illustration is shown with front header and right front corner removed.

Shed Assembly/Doors



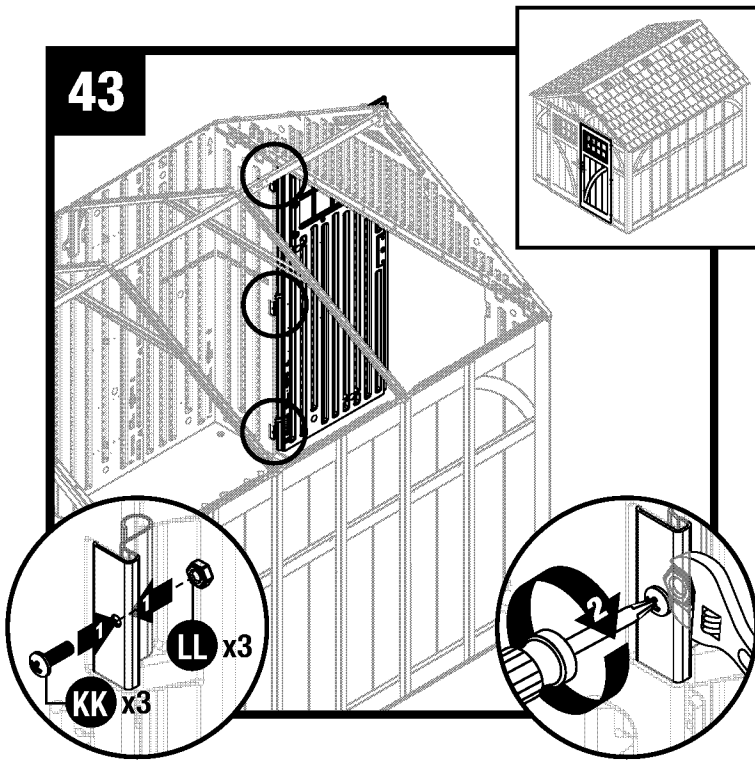
Stand right door (M) upright with three hinge mounts facing right. Slide one metal door hinge (II) up onto each hinge mount. Rotate door hinges to outside of door.



With door hinge in open position, slide one door hinge over each hinge receptacle on inside of right front panel.

Note: For clarity, illustration is shown with roof removed.

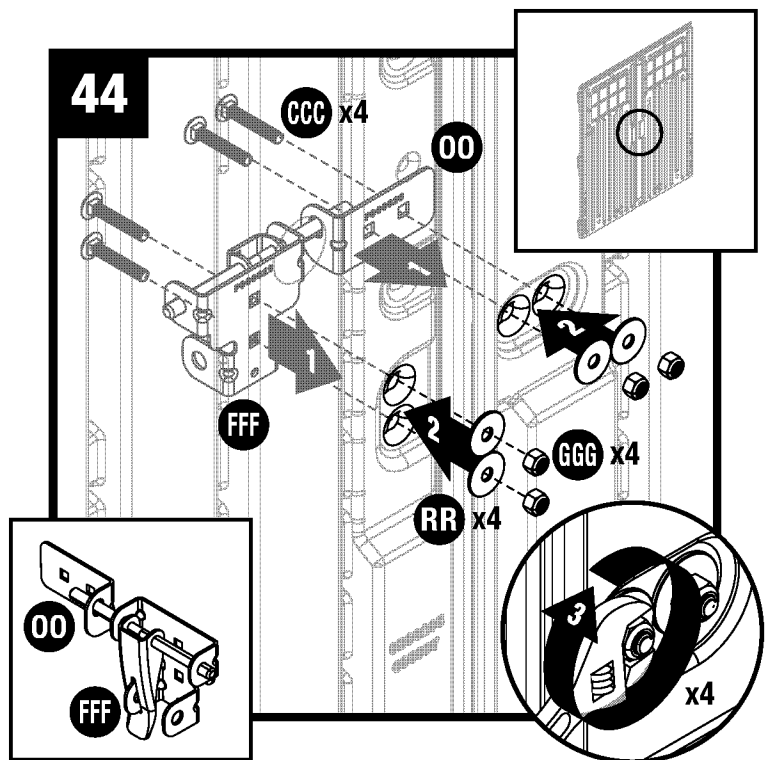
Shed Assembly/Doors (continued)



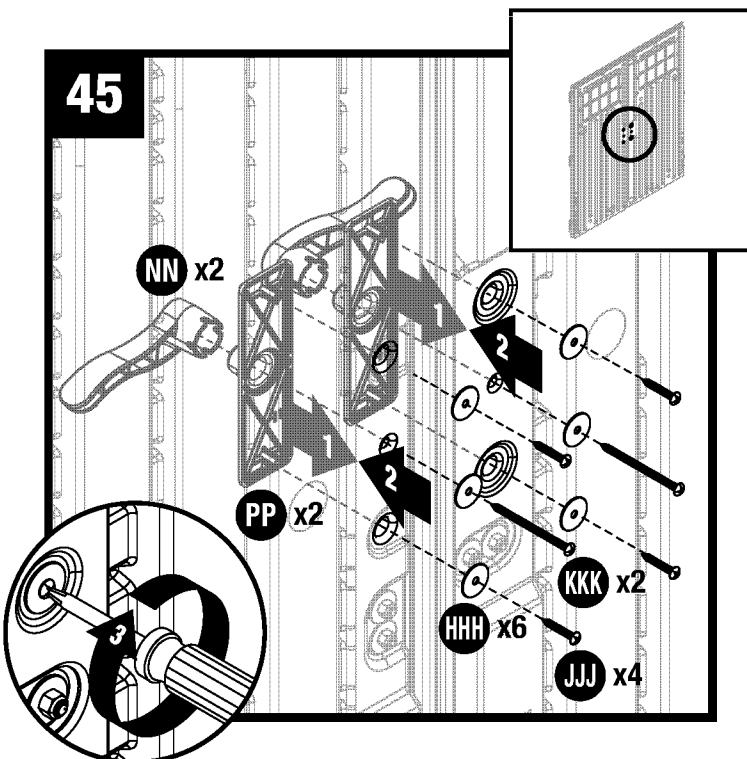
Secure each metal hinge plate with one screw (KK) and one nut (LL).

Repeat Steps 41-43 for left door (L).

Note: For clarity, illustration is shown with roof removed.



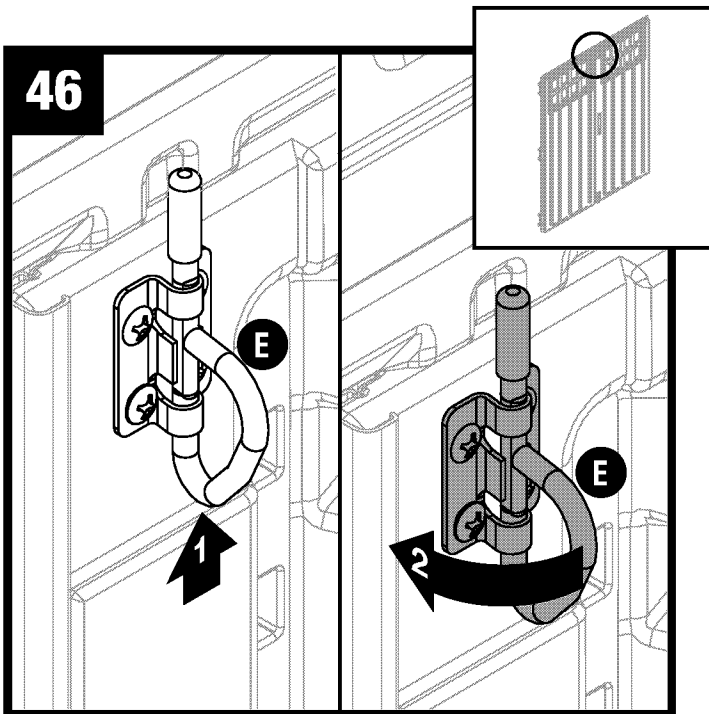
Insert two screws (CCC), into left latch plate (OO), and through pre-drilled holes in doors. While holding plate in place on exterior door, secure with two washers (RR) and two locking nuts (GGG). Repeat for right latch plate (FFF).



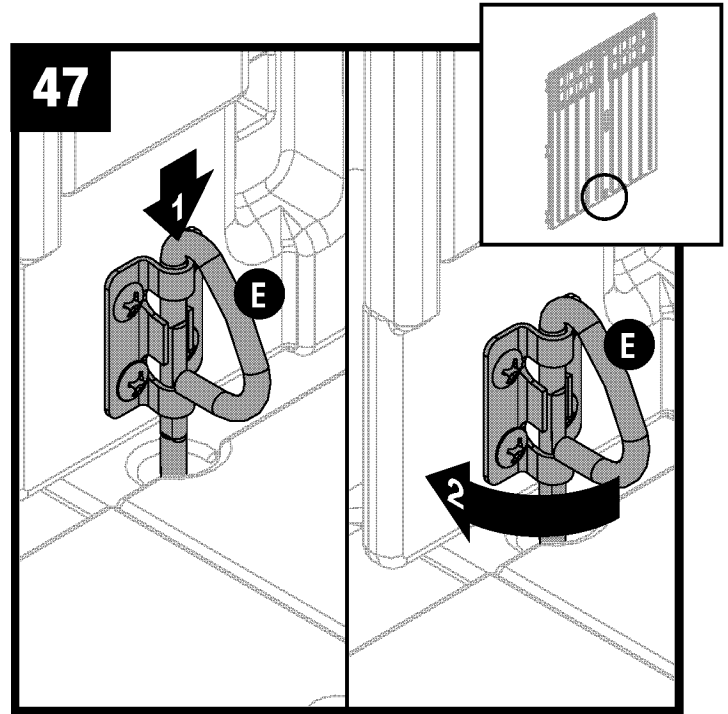
From the outside of doors, insert door handles (NN) onto the handle plates (PP). On inside of the doors, place washers (HHH) on center door handle locations, and secure each handle (NN) with one long screw (KKK).

Secure handle plates (PP) with four washers (HHH) and four screws (JJJ).

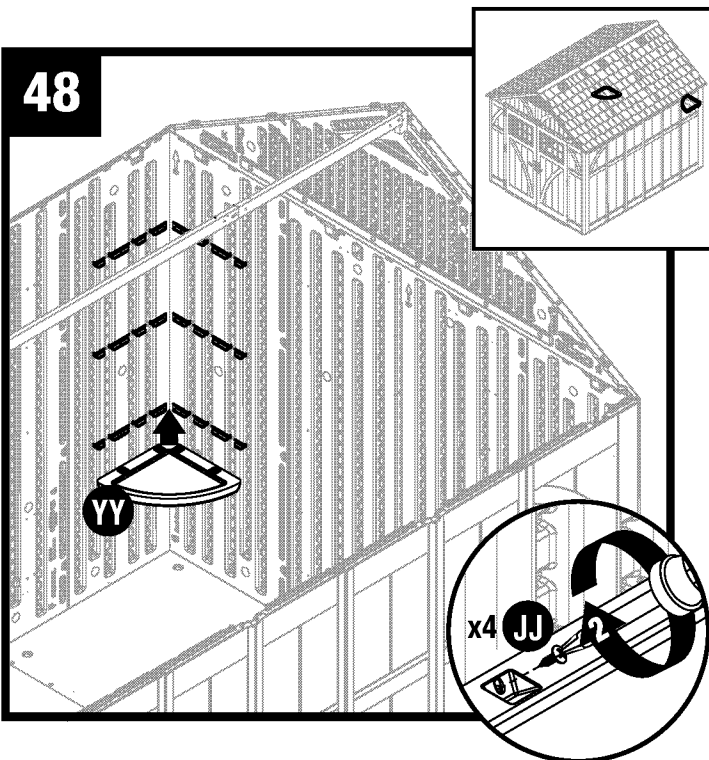
Shed Assembly/Doors (continued)



Push D-ring (E) up to engage with slot in header. Turn D-ring to left for locked position.



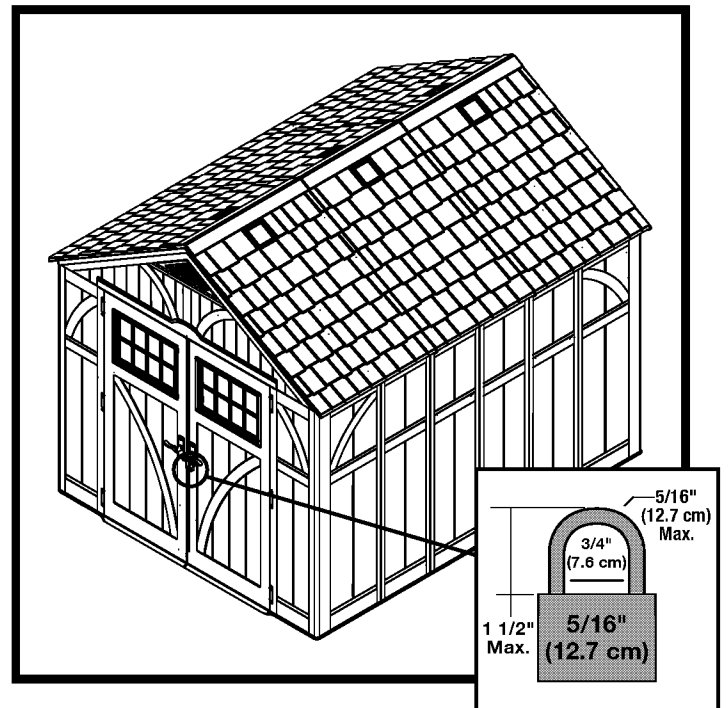
Push D-ring (E) down to engage with hole in floor. Turn D-ring to left for locked position.



Attach shelf (YY) in desired location with four screws (JJ)
Repeat for remaining shelf (YY).

Note: Shelf can be located in any of the four corners.

Note: For clarity, illustration is shown with roof, front header, and truss removed.



Attach a 5/16" lock (not provided) to door handles, to properly secure shed.

