

Storage Shed

ASSEMBLY INSTRUCTIONS

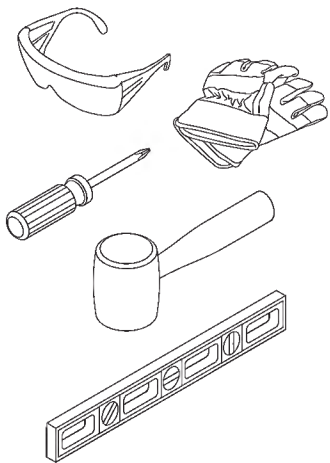
Remise de stockage
INSTRUCTIONS D'ASSEMBLAGE

Cobertizo de almacenamiento
INSTRUCCIONES DE ARMADO

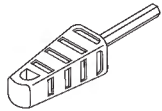


Tools Required

Outil requis
Herramientas necesarias

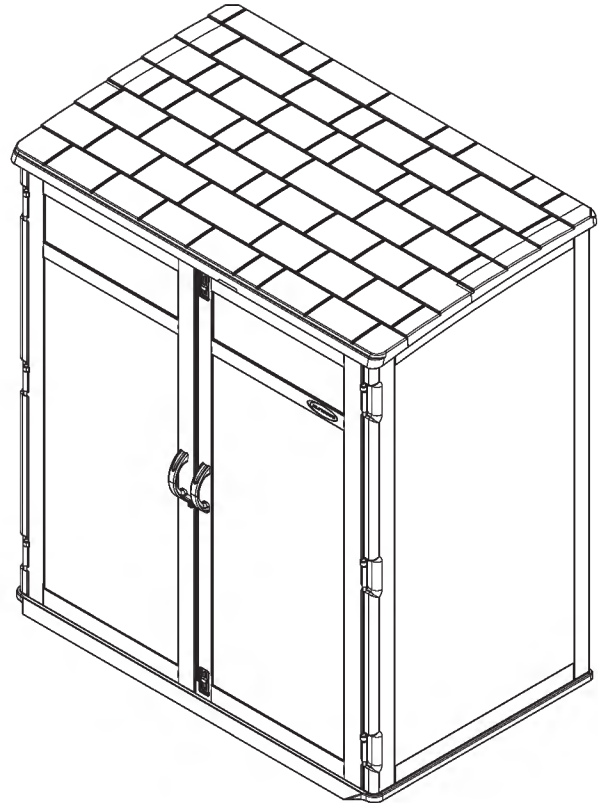


INCLUDED IN KIT
INCLUS DANS LA TROUSSE
INCLUIDO EN EL KIT



Easy Bolt Easy Driver
Tournevis pour boulon facile
Herramienta de fácil uso para perno de fácil inserción

010210410



English	3
Français	19
Español	36

SUNCAST[®]

Smart. Inside & Out[®]

Register your product for Limited Warranty!

Must register product within 90 days of purchase for limited warranty



Scan for updated Limited Warranty

www.suncast.com/warranty or call US 1 (800) 846-2345

Have Questions?

We are here to help. Check out our resource library along with helpful tips, videos and FAQ's at <https://support.suncast.com>

You may call the Customer Care Center directly at: 1 (800) 846-2345 or write
Suncast Corporation, Customer Care Center, 701 N. Kirk Road, Batavia, IL 60510 (USA)





Before You Begin...

- **Consult your local authorities for any permits required to construct shed.**

Prior to the construction of your shed, check with the local building code official to review any required permits or building limitations.

- **A level and sturdy foundation is required before shed construction can begin.**

Site preparation information is available later in this manual. A foundation that differs from the recommendations within this manual could prevent proper assembly and may damage parts.

- **Read instructions thoroughly prior to assembly.**

This kit contains parts that can be damaged if assembled incorrectly or in the wrong sequence.

- **Please follow instructions.**

Suncast is not responsible for replacing parts lost or damaged due to incorrect assembly.

- **Assistance is required during entire assembly.**



IMPORTANT

IF FOUNDATION IS REQUIRED, COMPLETE SITE PREPARATION AND FOUNDATION CONSTRUCTION BEFORE UNPACKING ALL PARTS.

OPEN ALL BOXES FIRST AND NEATLY LAYOUT PARTS. SMALL PARTS MAY BE CONTAINED IN EACH BOX. PLEASE REFERENCE THE PARTS LIST WITHIN THIS MANUAL TO VERIFY ALL PARTS ARE PRESENT.



Caution

- Proper site preparation required.
- Shed not intended for use in extreme weather conditions.
- Shed not intended for storage of flammable or caustic chemicals.
- Store heavy items near the bottom of shed.
- Shed not intended for use by children.
- **DO NOT** stand, sit, or store items on storage shed roof.
- Treat carefully in extreme temperatures.
- Repair or replace broken parts immediately.
- Suncast is not responsible for damage caused by weather or misuse.
- At regular intervals, inspect your shed to make sure that assembly integrity has been maintained.
- Periodically check that the location you have chosen to set your shed is still level.
- This kit contains parts with metal edges. Please be careful when handling.



Care Instructions

- Hot items, such as recently used grills, blowtorches, etc., must not be stored in the shed.
- Heavy articles should not be leaned against the walls, as this may cause panel distortion and permanent damage.
- Keep roof clean of snow and leaves.
- Your product is made of materials that will withstand outdoor use. Exposure to the elements (such as dust, plant and animal life, moisture and sunlight) encourages moss, algae, and mold to grow on outdoor items. To maintain the look of your product, we recommend cleaning it each year with mild soap and water. **DO NOT** use bleach, ammonia, or other caustic cleaners, and **DO NOT** use stiff bristle brushes. Failure to perform annual cleaning could result in permanent staining of the plastic. This is not a manufacturing defect and is not covered under warranty.



Assembly Day Tips

- Complete site preparation and foundation construction before unpacking parts and beginning assembly.
- **DO NOT** attempt to assemble on a day with strong winds.
- **DO NOT** attempt to assemble on days when temperature is below 32 degrees.
- Set aside appropriate amount of time to completely assemble shed.
- Make sure you have assistance nearby to lift and secure parts in place.
- Wear light duty work gloves while assembling shed.
- Once roof is assembled, a flashlight may be of use when assembling smaller components inside shed.
- **DO NOT** use a power drill to tighten provided Easy Bolts. Use 010210410 Easy Bolt Easy Driver tool (provided) ONLY.
- Suncoast provides extra hardware for small fasteners for customer convenience. In some cases, there will be extra small fasteners once the assembly is complete.

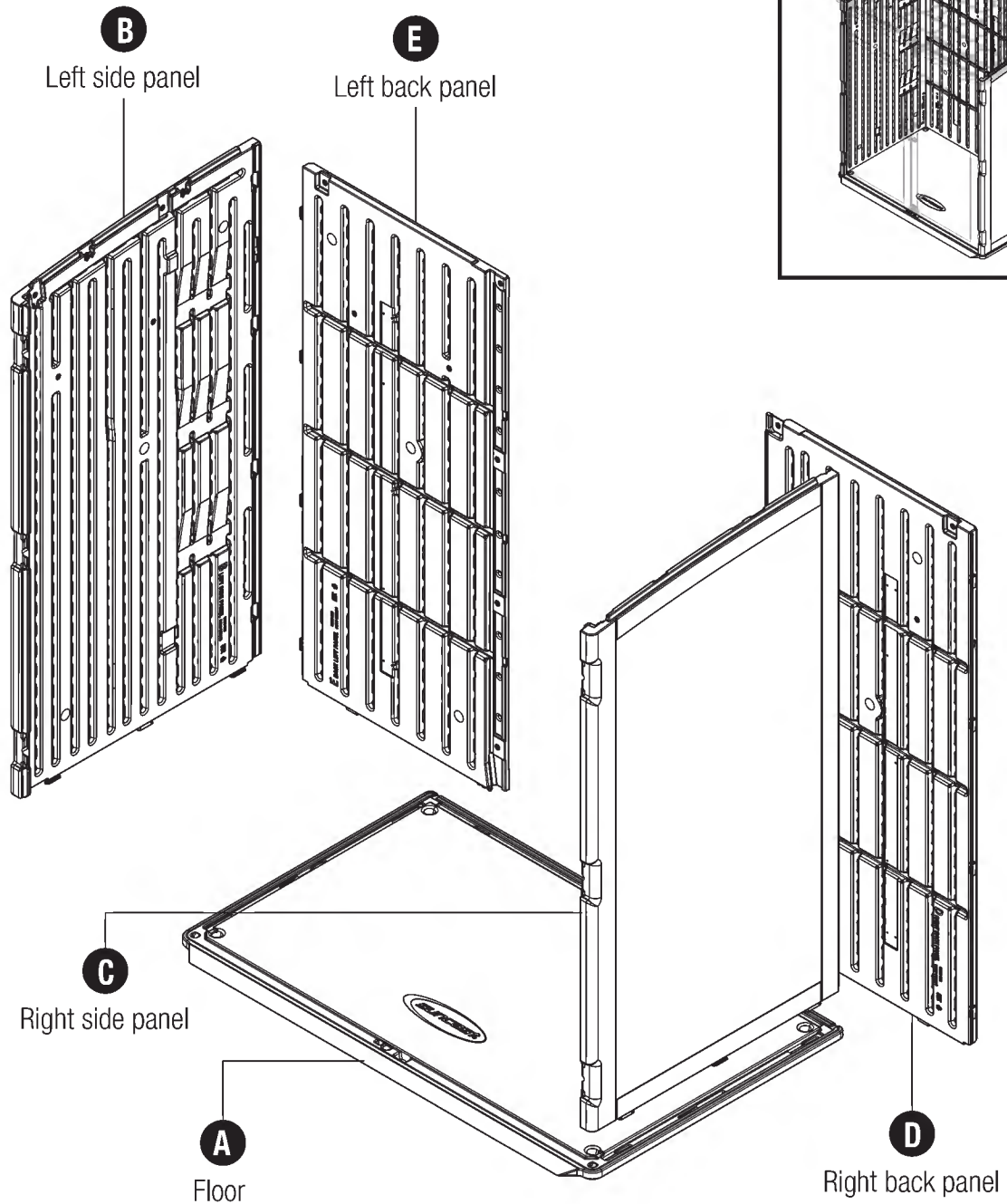
Note: This product contains parts that are used in different orientations to construct the shed. Please take note of the orientation of the parts shown throughout this instruction manual. Failure to follow instructions could result in damage to parts. Suncoast is not responsible for replacing parts lost or damaged due to incorrect assembly.

IMPORTANT

OPEN ALL BOXES FIRST AND NEATLY LAY OUT PARTS. SMALL PARTS MAY BE CONTAINED IN EACH BOX. PLEASE REFERENCE THE PARTS LIST WITHIN THIS MANUAL TO VERIFY ALL PARTS ARE PRESENT.

COMPLETE SITE PREPARATION AND FOUNDATION CONSTRUCTION BEFORE UNPACKING ALL PARTS.

Parts - Walls and Floors

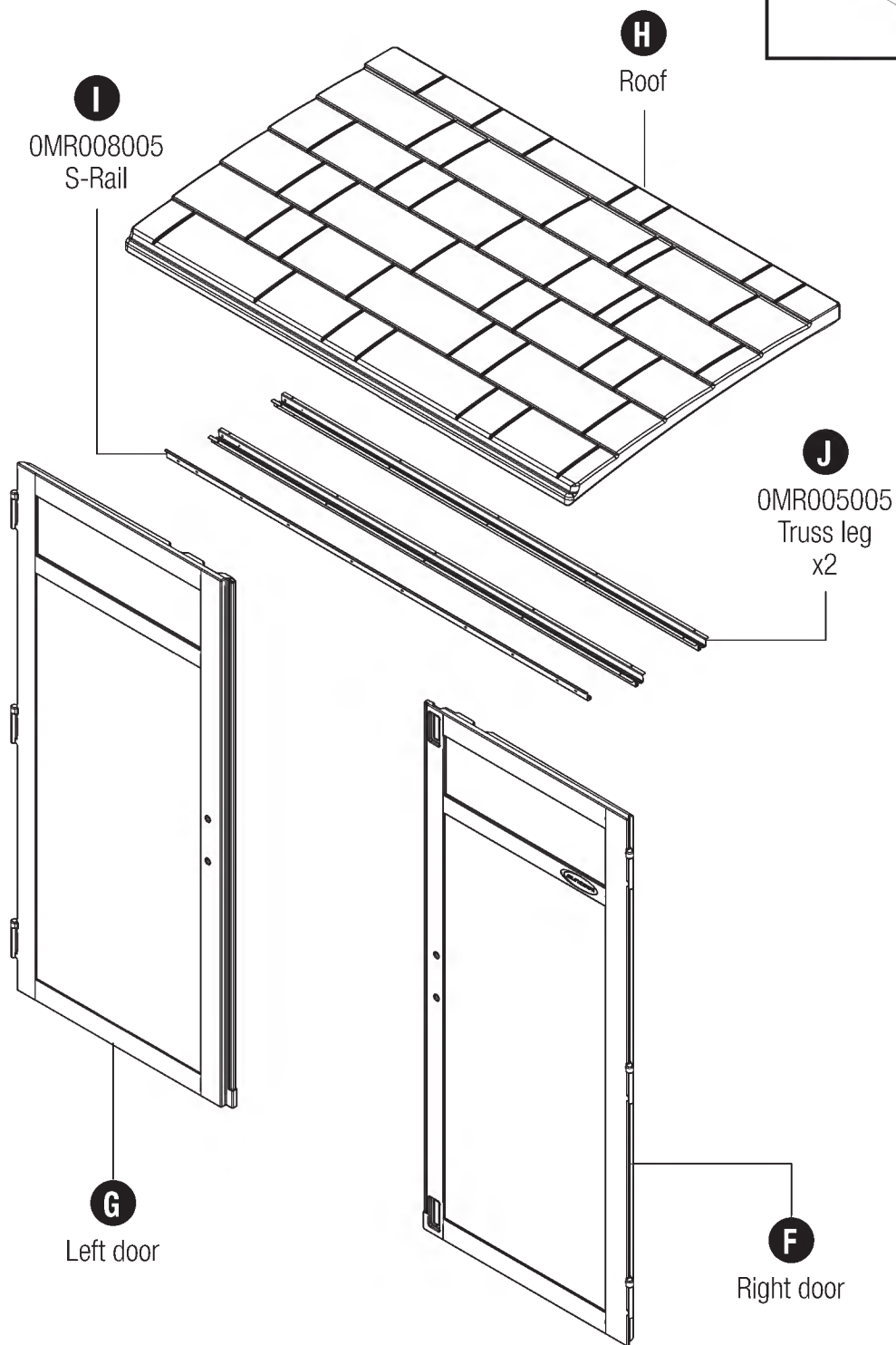
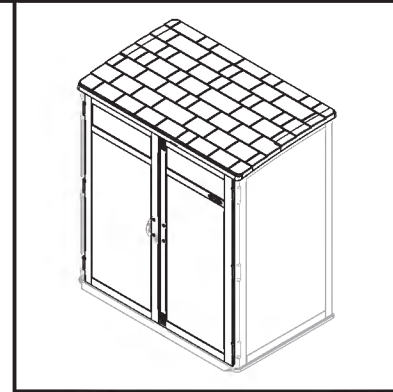


Parts - Doors

IMPORTANT

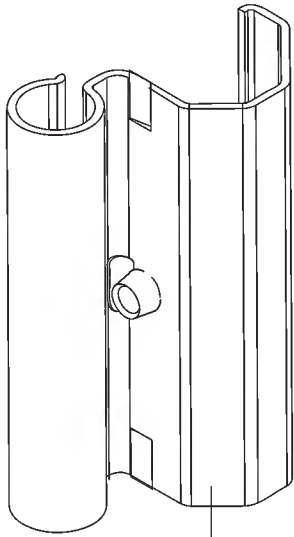
OPEN ALL BOXES FIRST AND NEATLY LAY OUT PARTS. SMALL PARTS MAY BE CONTAINED IN EACH BOX. PLEASE REFERENCE THE PARTS LIST WITHIN THIS MANUAL TO VERIFY ALL PARTS ARE PRESENT.

COMPLETE SITE PREPARATION AND FOUNDATION CONSTRUCTION BEFORE UNPACKING ALL PARTS.



Hardware

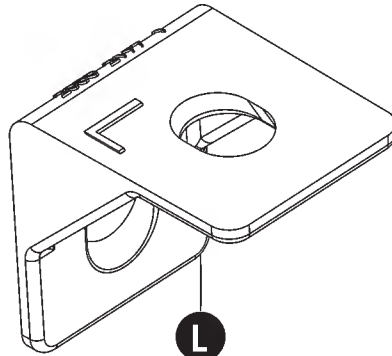
Hardware bag



AA

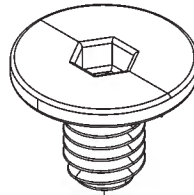
OMP000022
Door hinge
x6

Hardware bag



L

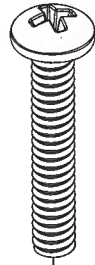
Roof bracket
x7



EE

Easy bolt
x21

0480464 – Hardware bag



GG

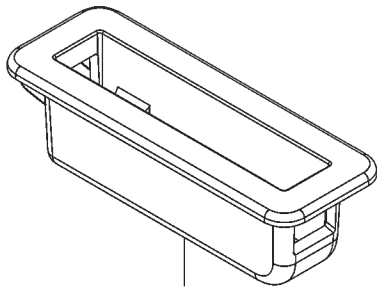
0631017
.25" x 1.5"
Machine screw
x7



HH

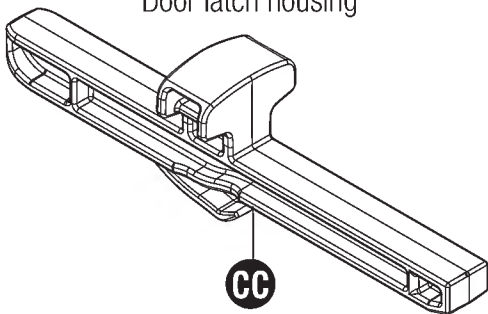
0630821
.625 Truss head screw
x38

0464116 – Hardware bag



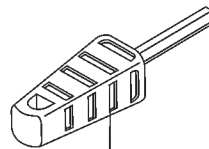
BB

0101222
Door latch housing



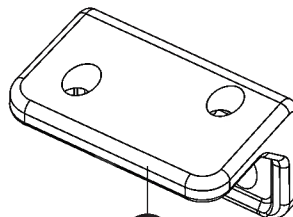
CC

0101221
Door latch



FF

Easy bolt driver



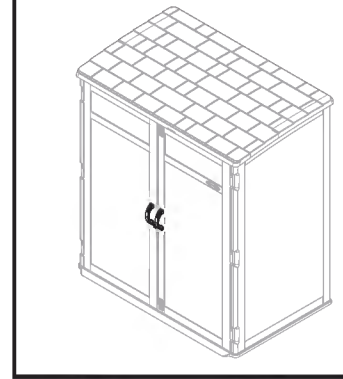
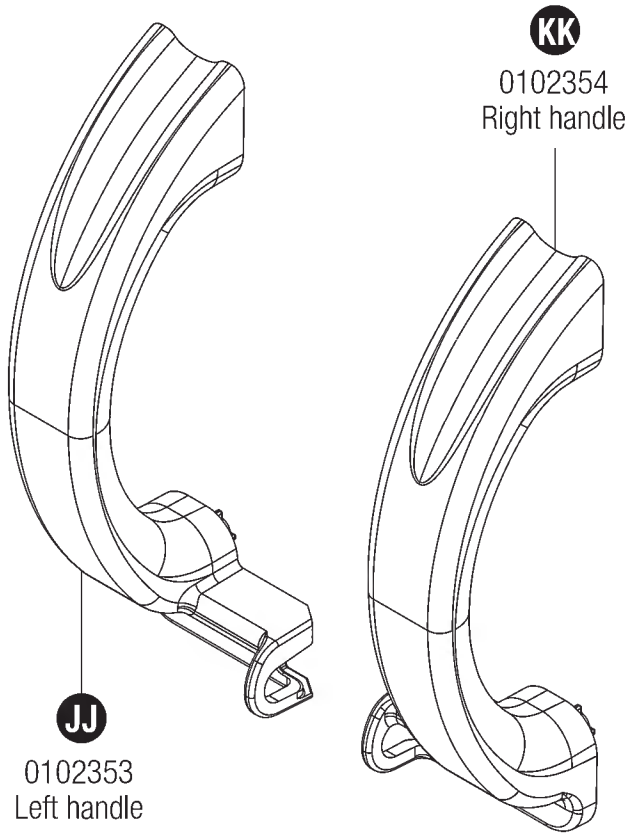
II

0102721
Door clip bracket
x2

Extra hardware provided. Not all is used.

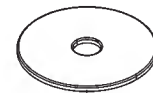
Hardware - Door Handle Kit Parts

0464115 – Door handle kit



0480463 – Door handle hardware

LL
0632130
#10 x 1.75"
Pan head screw
x4



MM
0631284
#10 x 1"
Fender washer
x4

Shed Accessories

NOTE: Your shed may include optional storage accessories
See: www.suncast.com for more details

Site Preparation and Platform Construction

Materials NOT supplied with Shed Kit

Note: Site preparation is required for this shed. Placing the shed on a constructed foundation is required. Without a constructed foundation, settling will probably occur, causing distortion and damage to the shed. Suncast is not responsible for replacing parts damaged or property lost due to incorrect assembly. Warranty requires foundation.

Note: Complete the site preparation and foundation construction before unpacking parts and beginning assembly. For tips on site preparation, go to www.suncast.com, consult retailer, or local code.

To prepare your shed site, follow the below steps:

- 1) Consult your local authorities for building codes and covenants before beginning foundation or erecting shed.
- 2) Before any digging, check with local utilities to determine location of buried cables, pipes, etc.
- 3) Decide which type of foundation you want:
 - Concrete slab, 4" thick

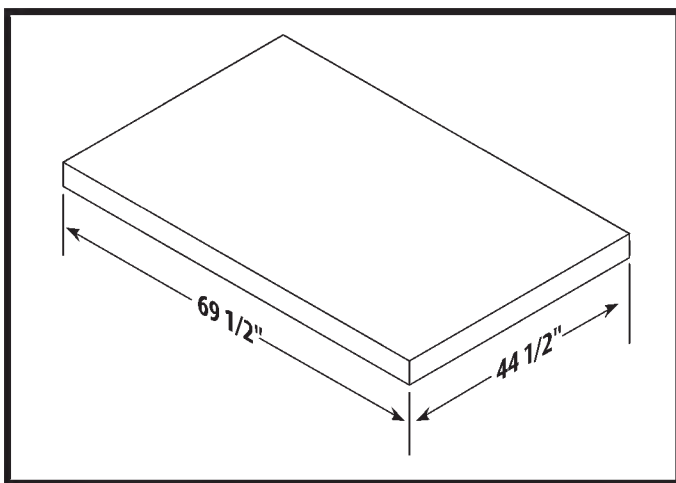
OR

- Wood platform

Use exterior grade wood. The wood platform should be set on pier blocks or footing. Consult your local retailer for help to determine the best anchoring method for your particular installation. The provided plans are sized for the minimum number of cuts to lumber and plywood.

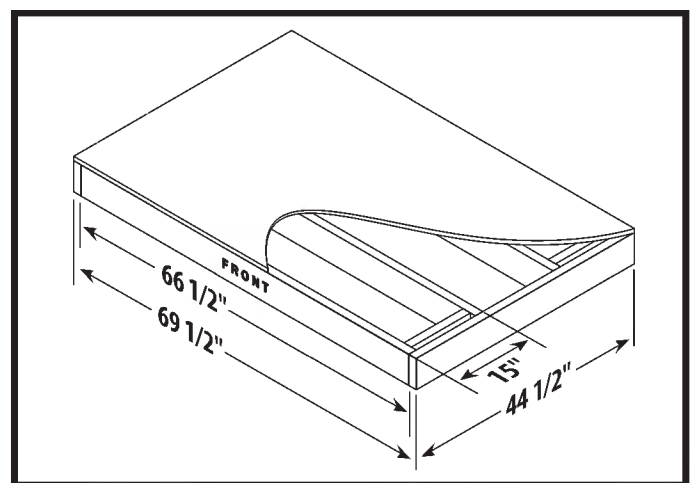
- 4) Prepare the building site:
 - The ground should slope away from the foundation area to provide drainage.
 - The foundation surface must be flat and level.
 - A vapor barrier should be provided to prevent excessive condensation in the shed.
 - Follow local building codes for a proper vapor barrier.
- 5) Anchoring the shed to the foundation:
 - Consult your local retailer for help to determine the best anchoring method for your particular installation.
 - To secure the shed to a concrete slab, use masonry fasteners available at your local hardware retailer.
 - To secure the shed to a wood platform, use 1/4" x 3" long lag screws with washers.

Anchoring floor panel to concrete slab



- Secure shed to concrete slab using masonry fasteners.
- Dimensions allow for shed to fit within the nearest 1" on each side.

Anchoring floor panel to wood platform

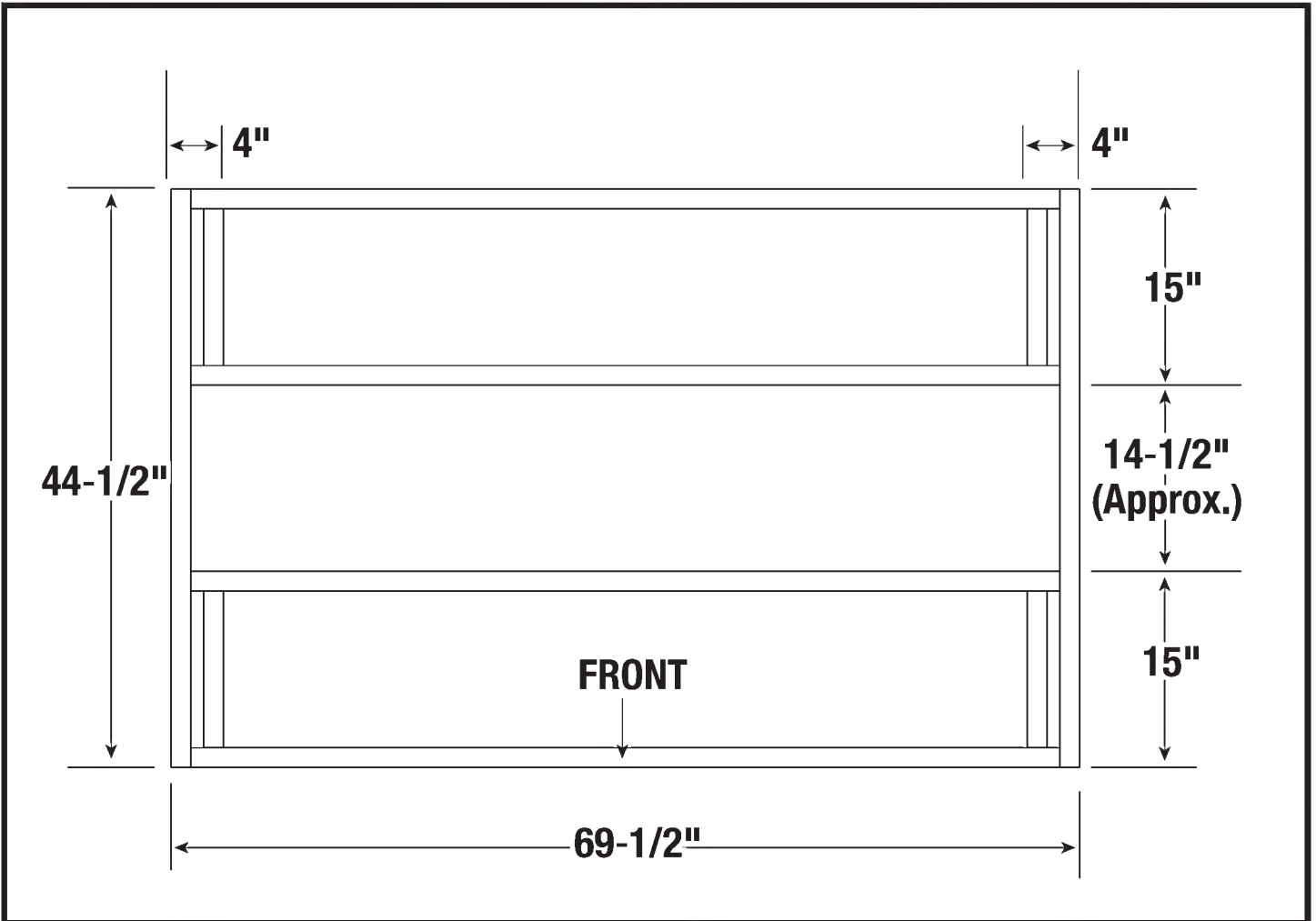


- Secure shed to wood platform using 1/4" x 3" lag screws.

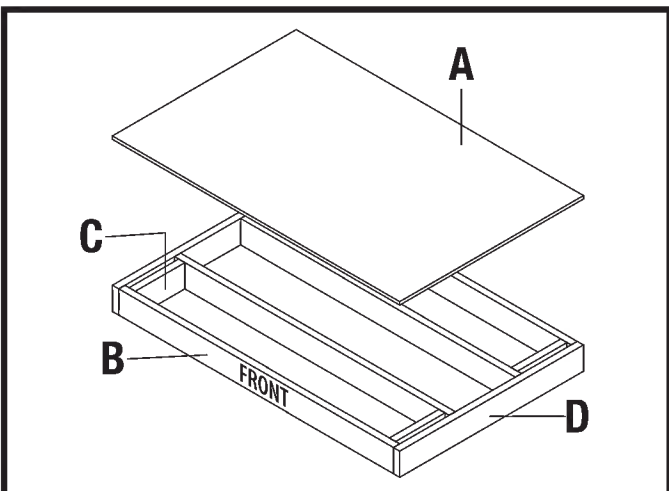
Site Preparation and Platform Construction (continued)

Materials NOT supplied with Shed Kit

Wood platform critical spacing



- Check all critical spacing measurements.

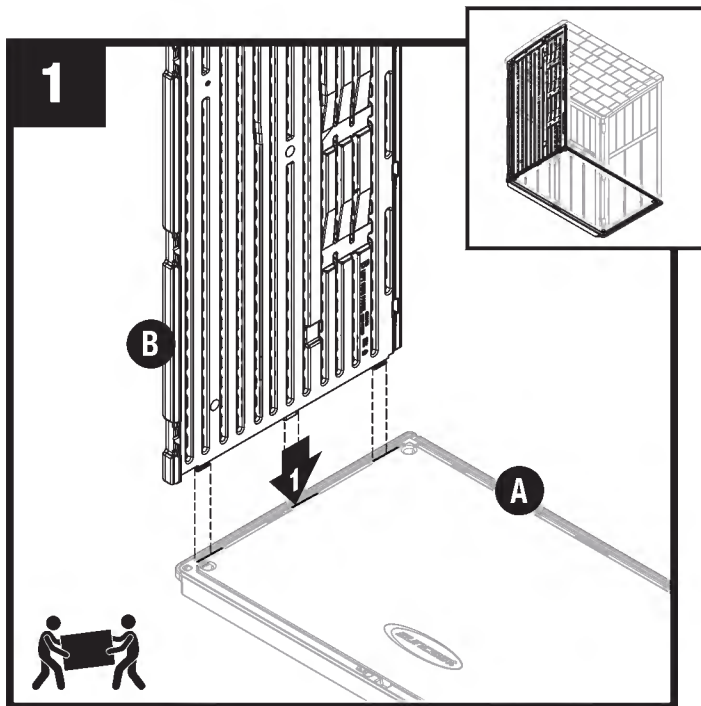


Materials list

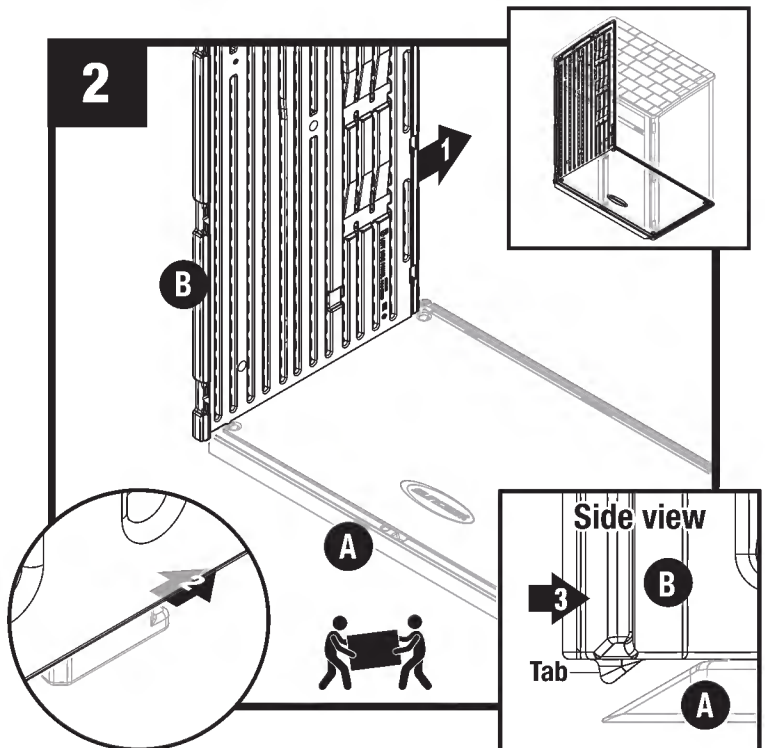
Item	Qty	Size
A	1	44-1/2" x 69-1/2" x 3/4"
B	4	2" x 6" x 66-1/2"
C	4	2" x 6" x 12"
D	2	2" x 6" x 44-1/2"

Note: dimensional lumber is actually 1/2" smaller than noted sizes.


Assembly - Walls

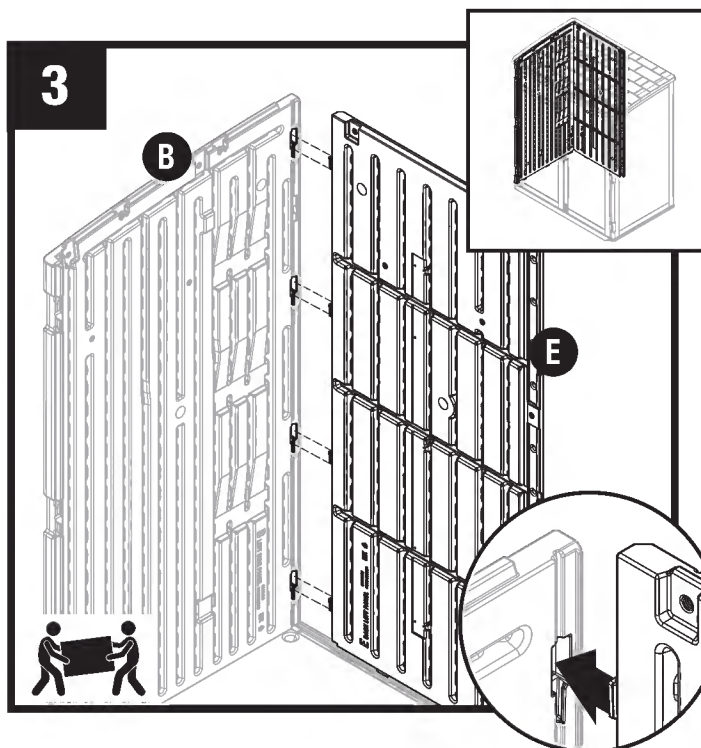


Align tabs on bottom left side panel (B) with slots on floor (A). Lower panel into slots.

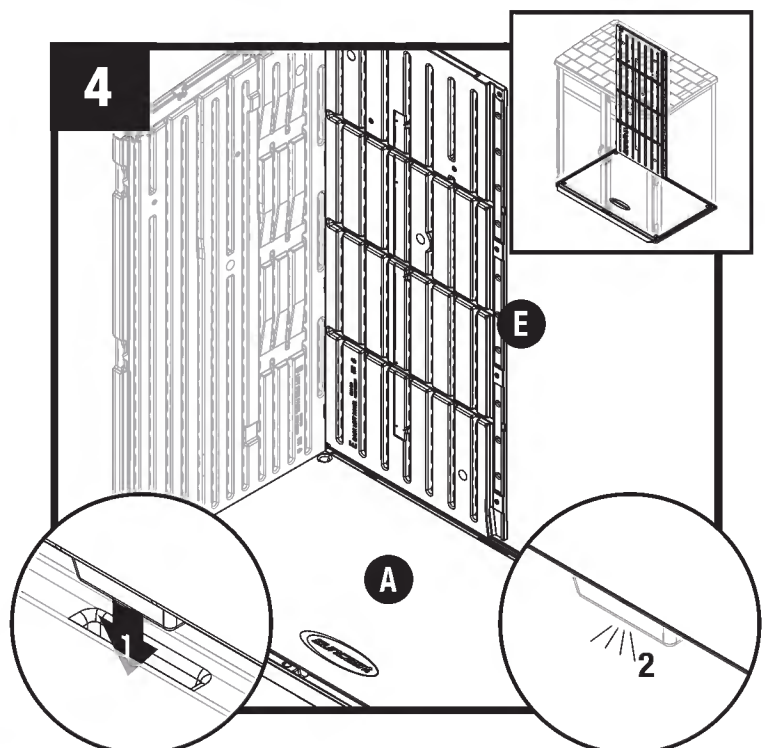


Lock side panel (B) by sliding panel toward rear of floor panel (front corner tab will slide into position).

 **Note:** Use a rubber mallet to 'push' left side panel (B) into locked position.

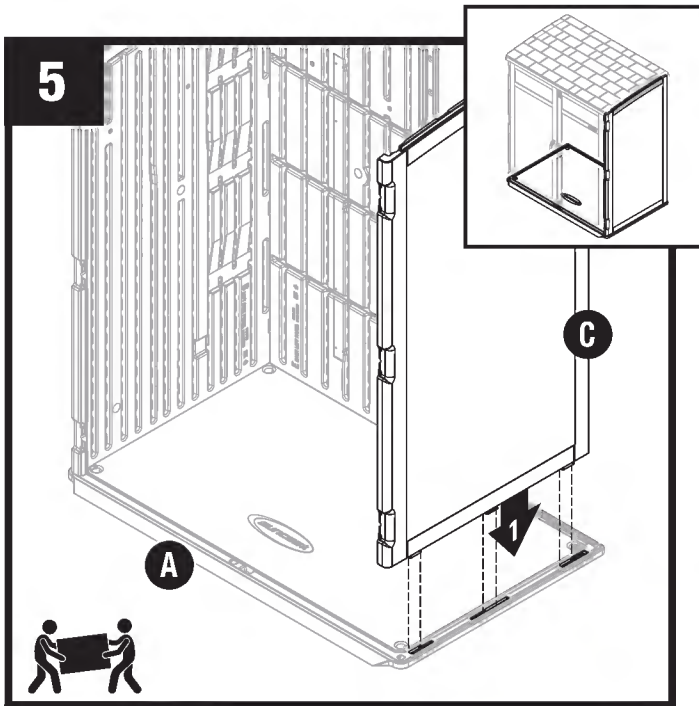


Align tabs on side of left back panel (E) with slots on the left side panel (B). Slide back left panel down to lock tabs into left side panel.

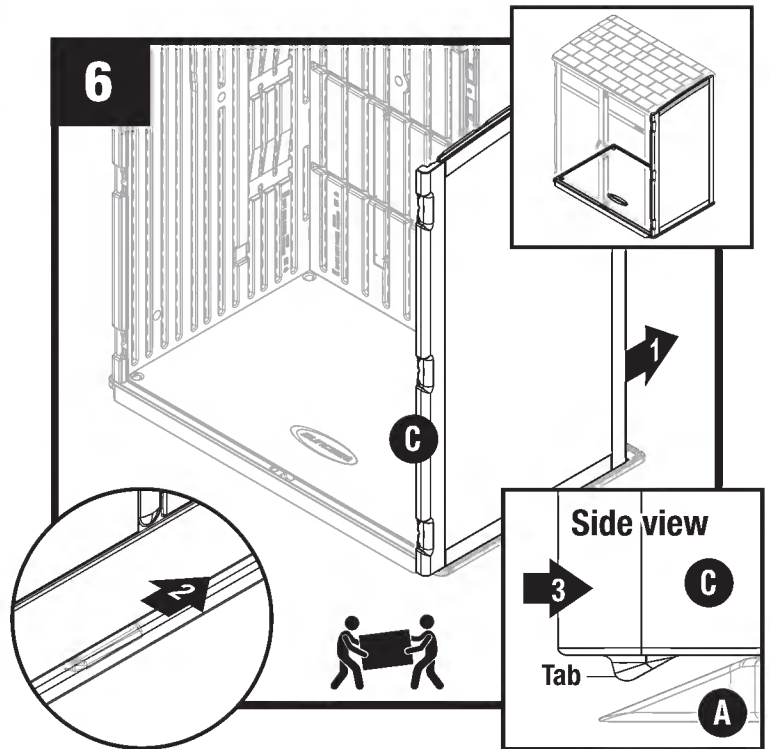


Lower the back left panel (E) tabs into the slots of floor (A). The back left panel tabs will 'snap' into place when in correct position.


Assembly - Walls (continued)

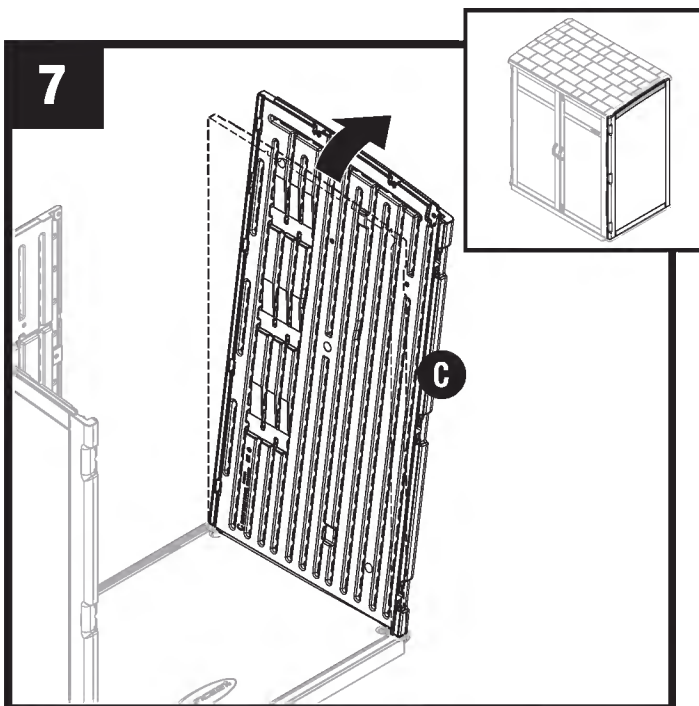


Align tabs on bottom right side panel (C) with slots on floor (A). Lower panel into slots.

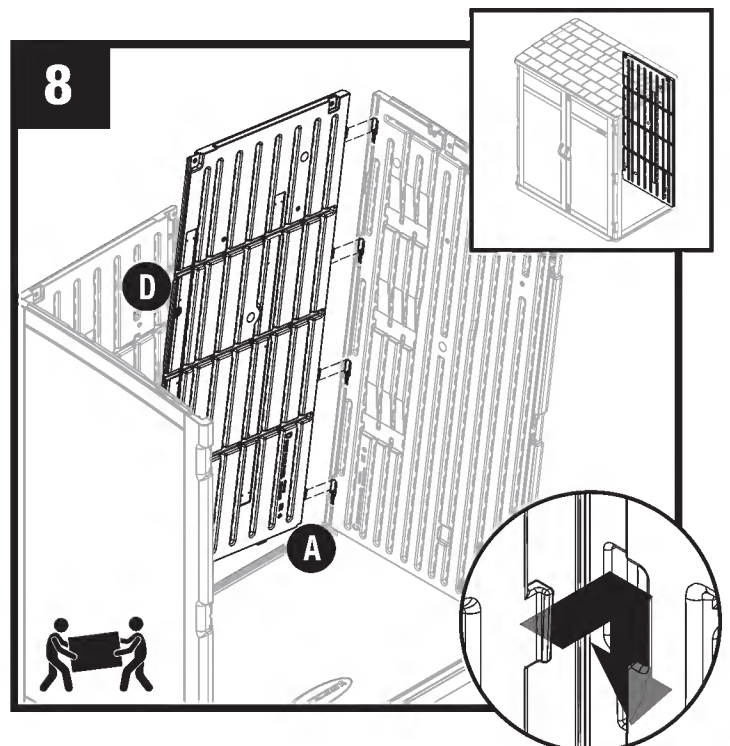


Lock side panel (C) by sliding panel toward rear of floor panel (front corner tab will slide over floor and into position).

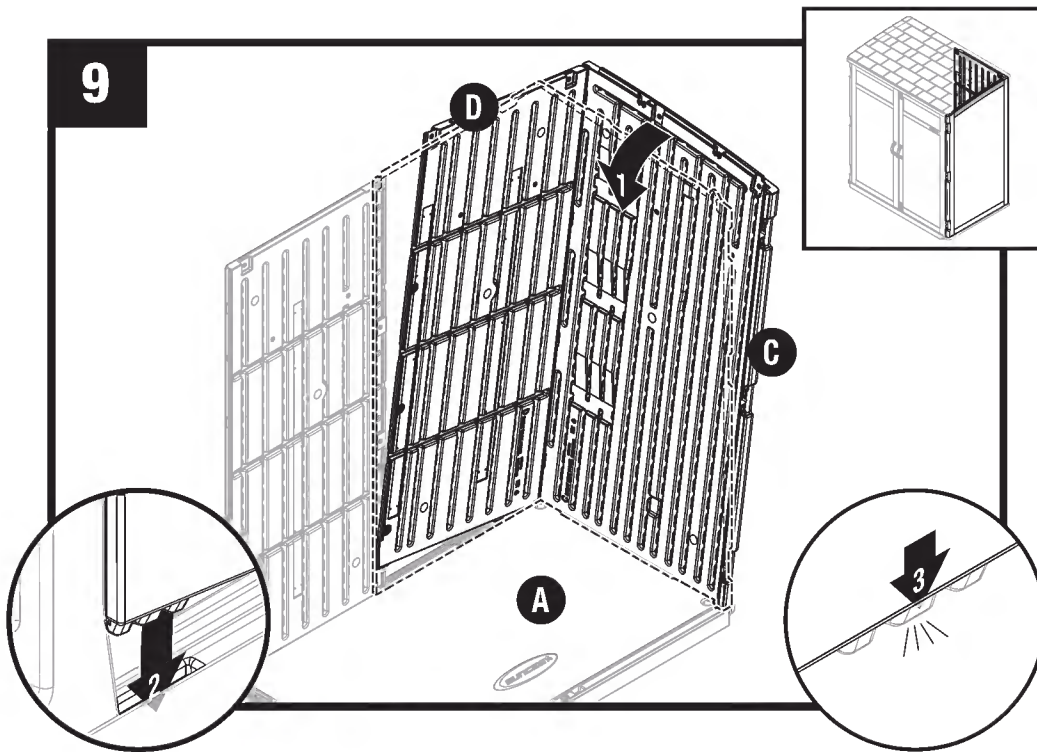
 **Note:** Use a rubber mallet to 'push' right side panel (C) into locked position.



Tilt right panel (C) outward.

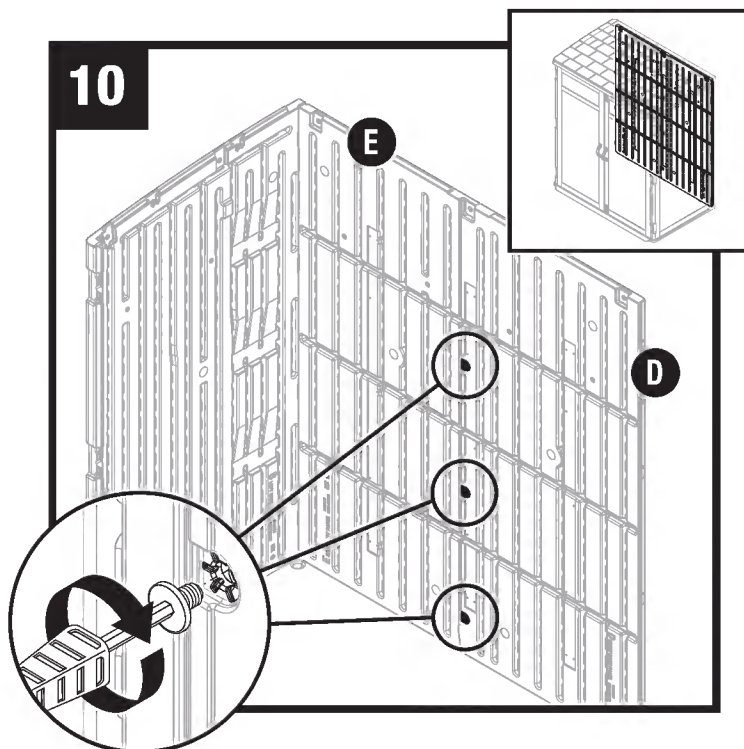


At an angle, align tabs on side of right back panel (D) with slots on right side panel (C). Slide back right back panel in and down into right side panel to secure.



Tilt right back panel (D) and right side panel (C) back into the upright position (lowering the back right panel tabs into the slots of floor (A)). The back right panel tabs will 'snap' into place when in correct position.

Note: Left side panel not shown for clarity.

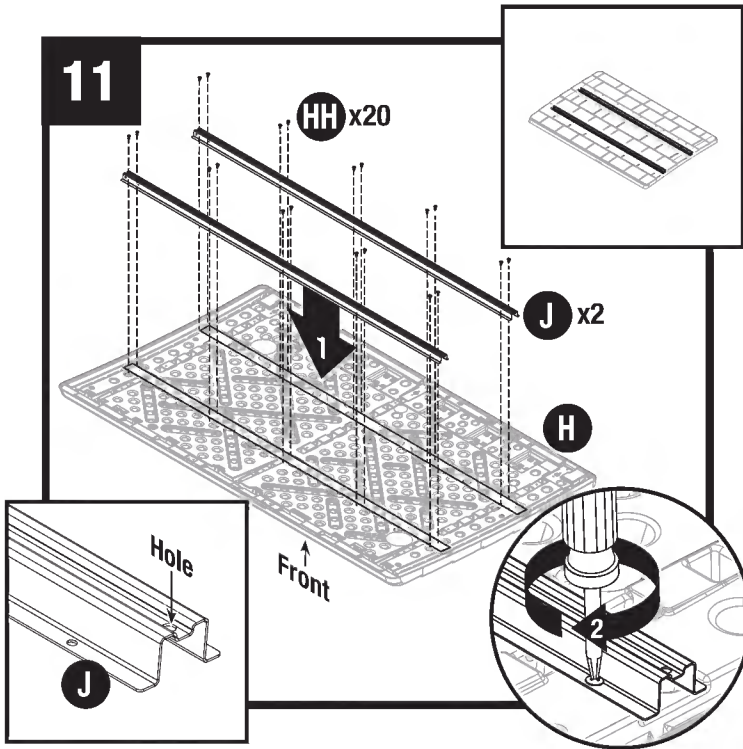


Secure back panels (E, D) together using three easy bolts (EE) and working from bottom to top. Do not use torque wrench. Use easy bolt easy driver (FF) to hand tighten. Easy bolt head will be flush when fully seated. **Do Not** over tighten easy bolts.

Note: Top easy bolt location will be installed in a later step.

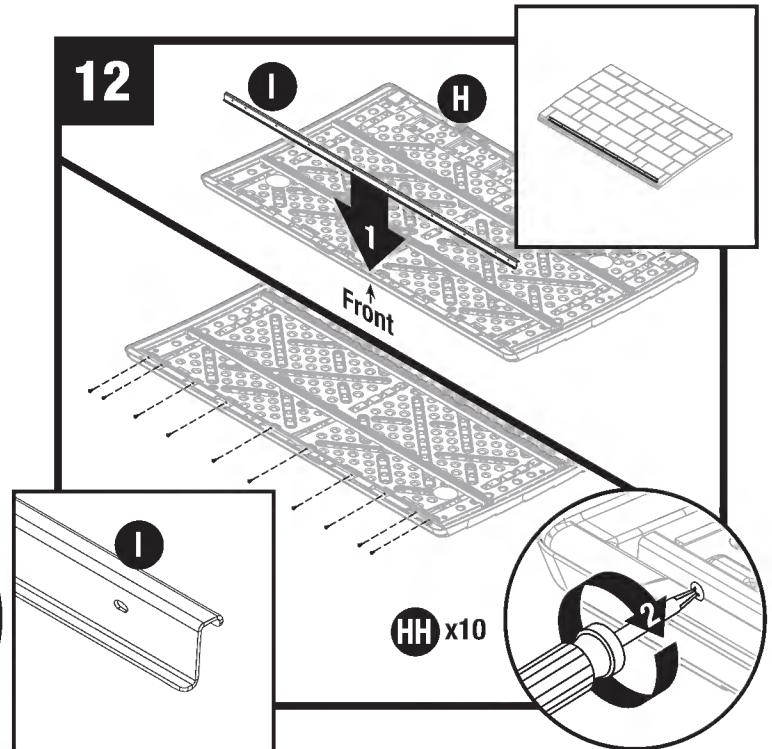
Note: Right side panel not shown for clarity. You may hear a 'click' when easy bolt has been tightened completely.

Assembly - Roof



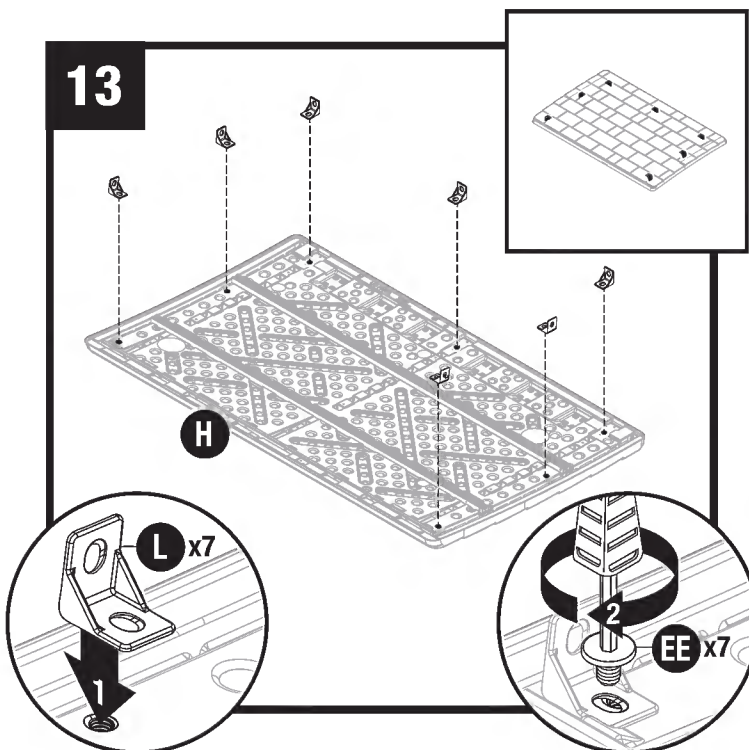
Place roof on flat surface and lower each support bracket (J) into channels on under side of roof panel (H). Support bracket (J) top hole must be on the right side for proper orientation. Align holes in truss legs to rockets on roof panel. Attach bracket using ten screws (HH) for each.

Note: Support brackets must be installed in orientation shown above. Roof will not fit if brackets are installed backwards.

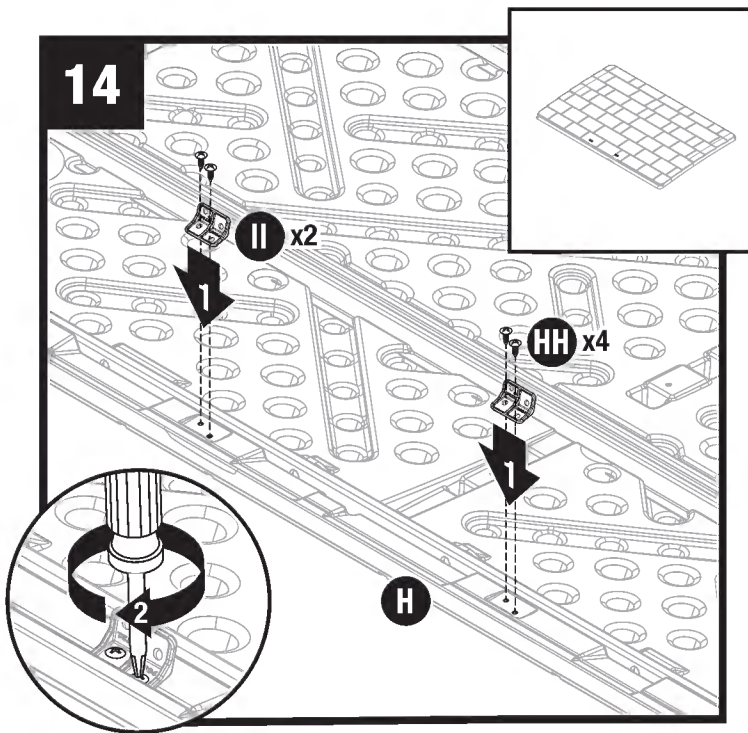


Lower S-bracket (I) into position on roof (H). Attach using ten screws (HH). S-bracket (I) proper orientation is shown above.

Note: There are no pre-drilled holes on the roof. Use force when starting to drive self-tapping screws. Once the screw pierces the plastic, it will drive easier.

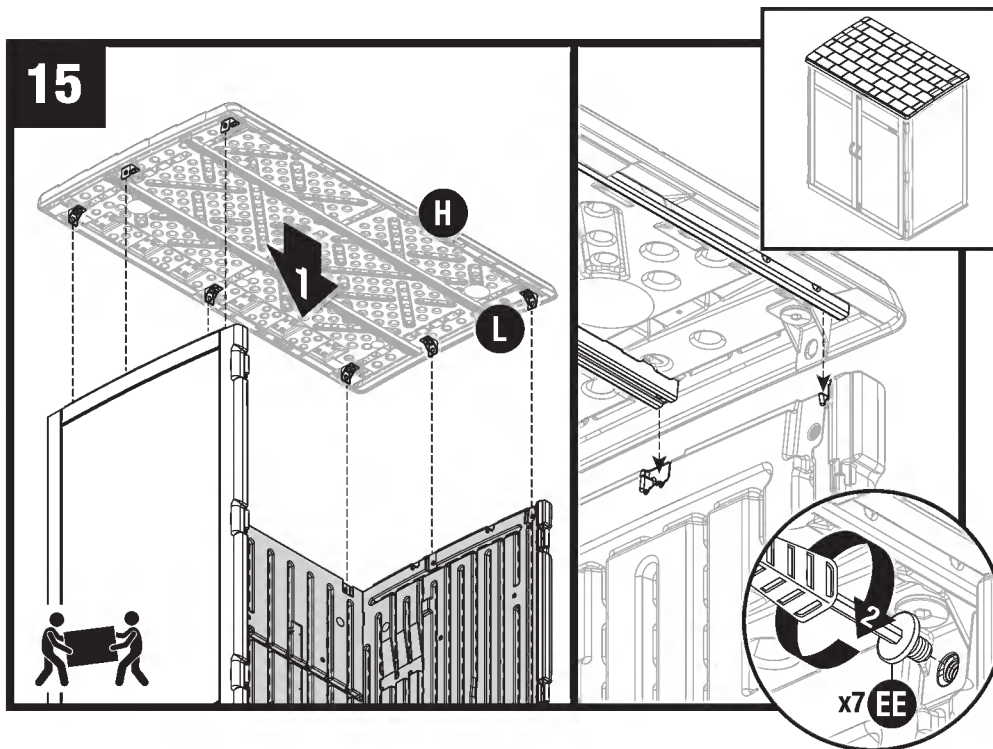


Lower roof bracket (L) into position on roof. Secure bracket with easy bolt. **Do Not** use torque wrench. Use easy bolt easy driver (FF) to hand tighten. Easy bolt head will be flush when fully seated. **Do Not** over tighten easy bolts.



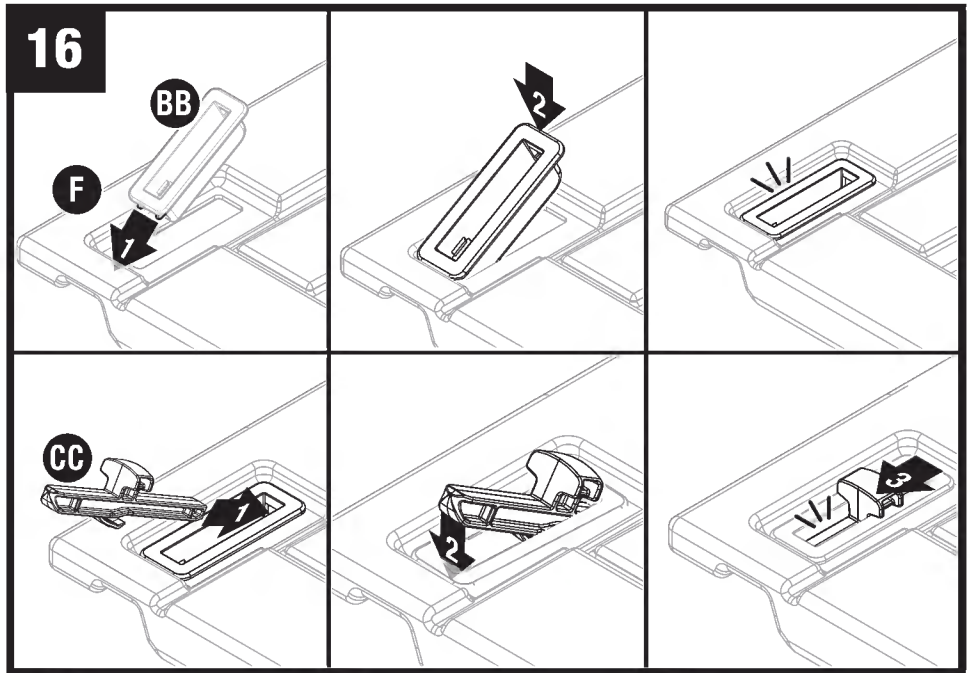
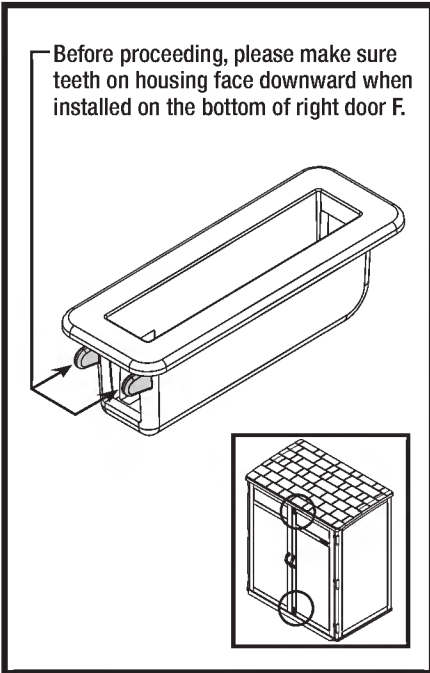
Attach door clip brackets (II) to bottom of roof panel (H) using two screws (HH).

Note: The vertical portion of the bracket must be oriented towards the inside of the shed.

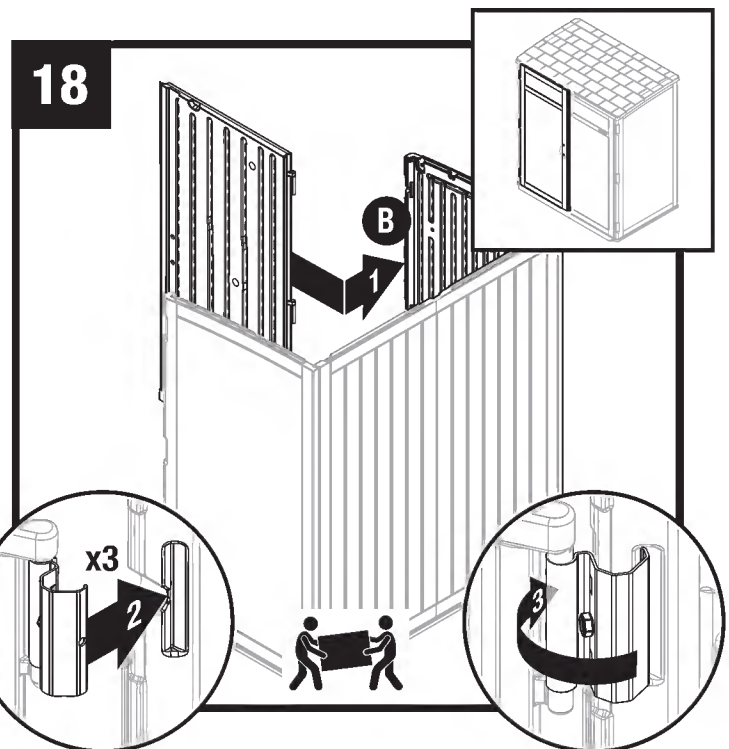
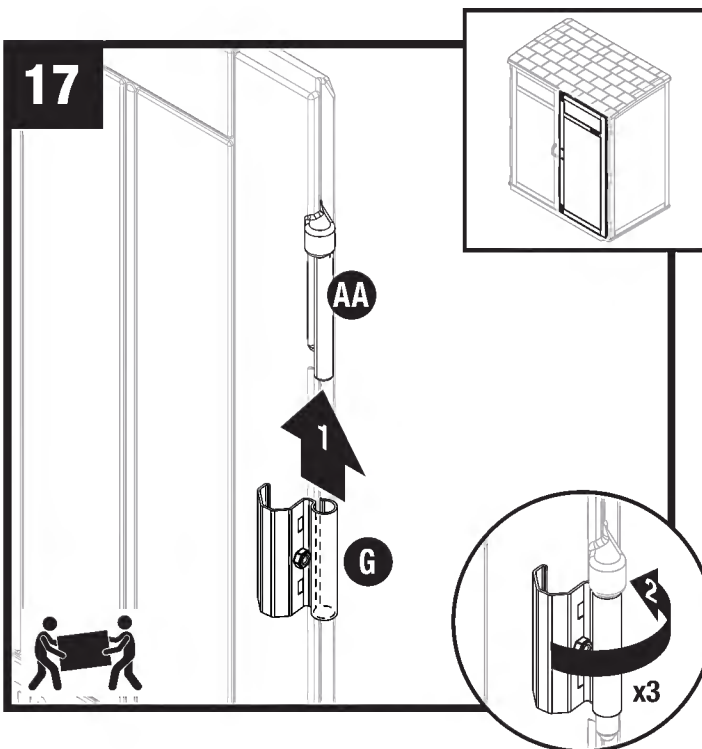


Lower roof panel (H) and line up roof brackets (L) with holes on walls. The truss legs and S-rail (pre-assembled to roof) will fit into notches in side panels (this helps to properly align roof properly). Secure bracket with seven easy bolts (EE). **Do Not** use torque wrench. Use easy bolt easy driver (FF) to hand tighten. **Do Not** over-tighten easy bolts.

Assembly - Doors

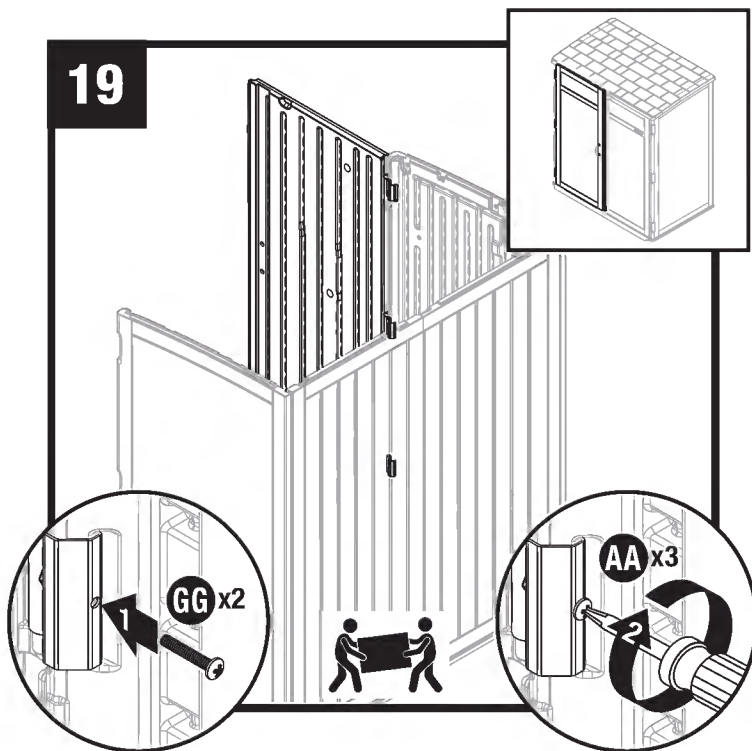


Insert door latch housing (BB) into bottom right door (F) and snap into place. Insert door latch (CC) into door latch housing. Push latch pin down so it is fully seated in latch housing. Push down with force until you hear a 'snap'. Slide latch up and down to confirm it slides properly. Repeat for upper door latch (when repeated at the top of door, orientation will be reversed).

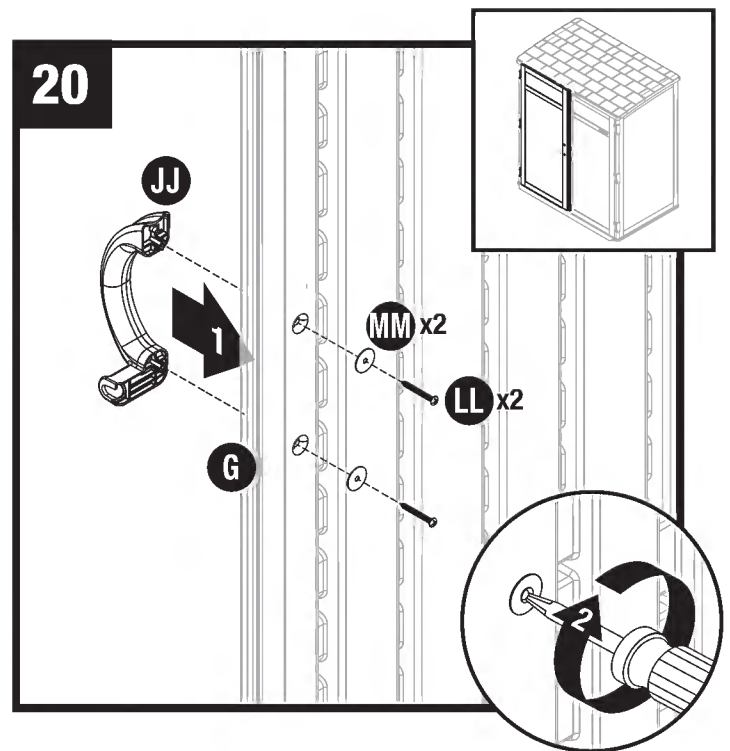


Stand right door (G) upright with hinge mounts facing right. Slide one metal hinge plate (AA) onto each hinge mount. Rotate metal hinge plates to open position. Repeat for left door (F).

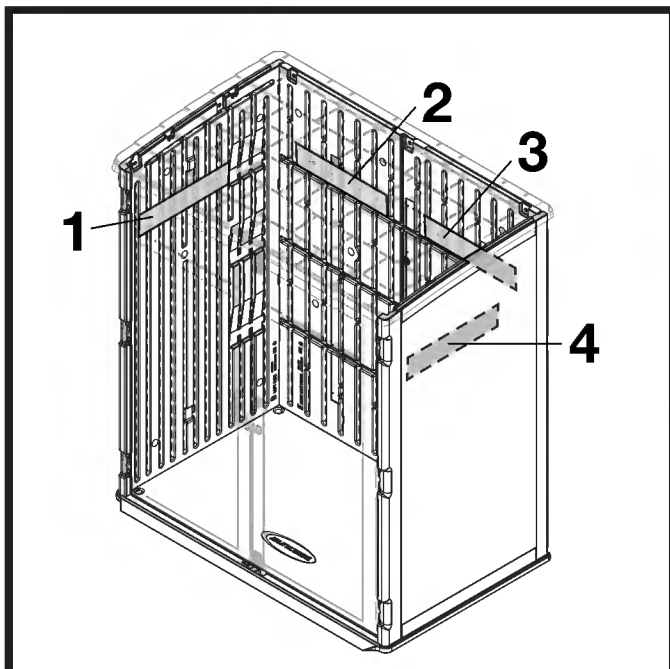
Slide one metal hinge plate over each hinge receptacle on inside of left side panel (B).



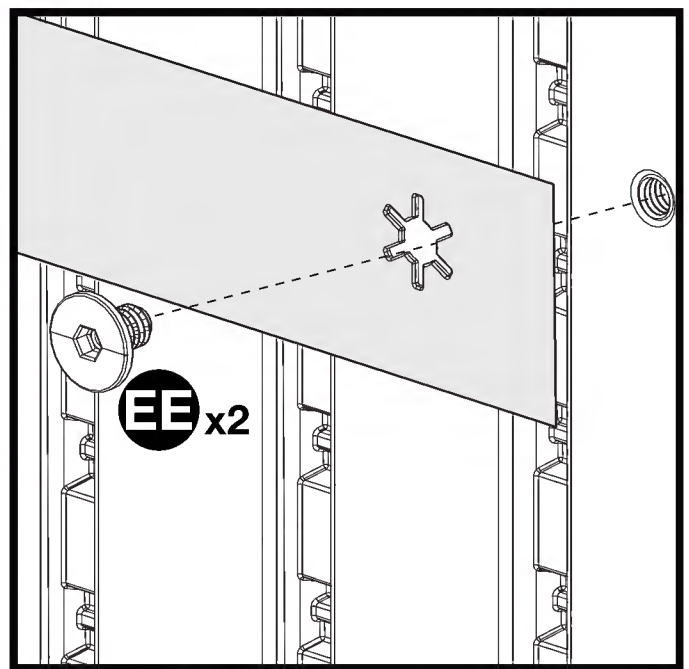
Secure each door hinge (AA) with one screw (GG). Repeat steps 17-19 for right door (F).



Attach left handle (JJ) to left door (G) using washers (MM) and screws (LL). Repeat for right door (F) and right door handle (KK).



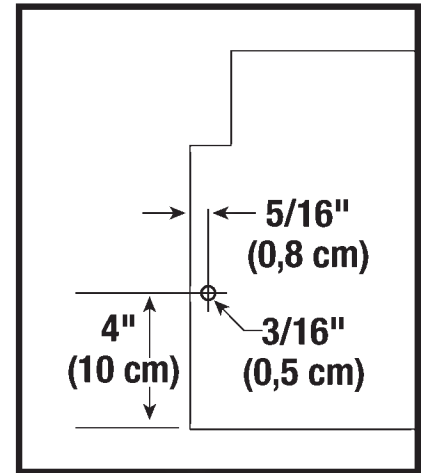
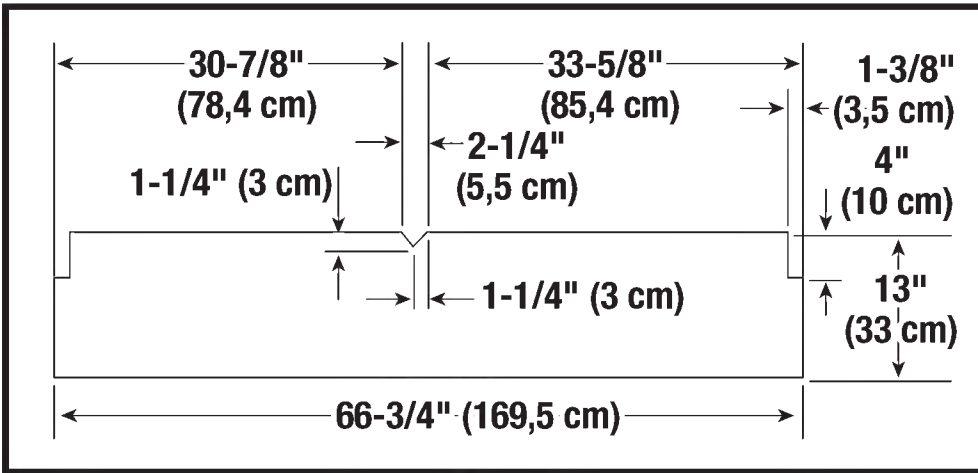
Place accessory on one of the wall panels. There are four optional locations.



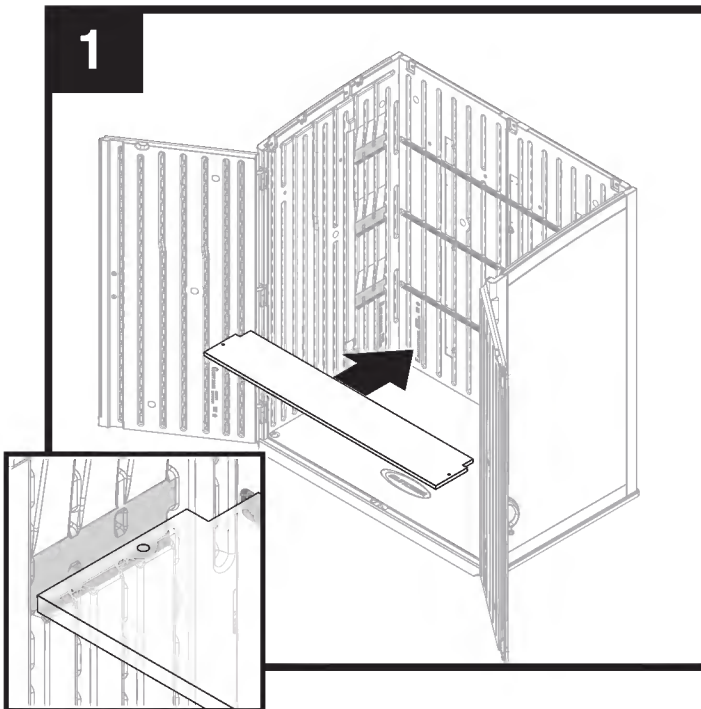
Align accessory with holes in shed walls that accept easy bolts. Locations are based on the type of shed you have. Insert easy bolt (EE) through hole in accessory and use easy bolt driver (FF) to drive bolt into wall.

- Maximum weight limit 25 lbs. (11 kg) per panel.
- Accessory is not intended for storage of flammable or caustic chemicals.
- Accessory is not intended for storage of fragile items.

Optional Interior Wood Shelf (materials not included)

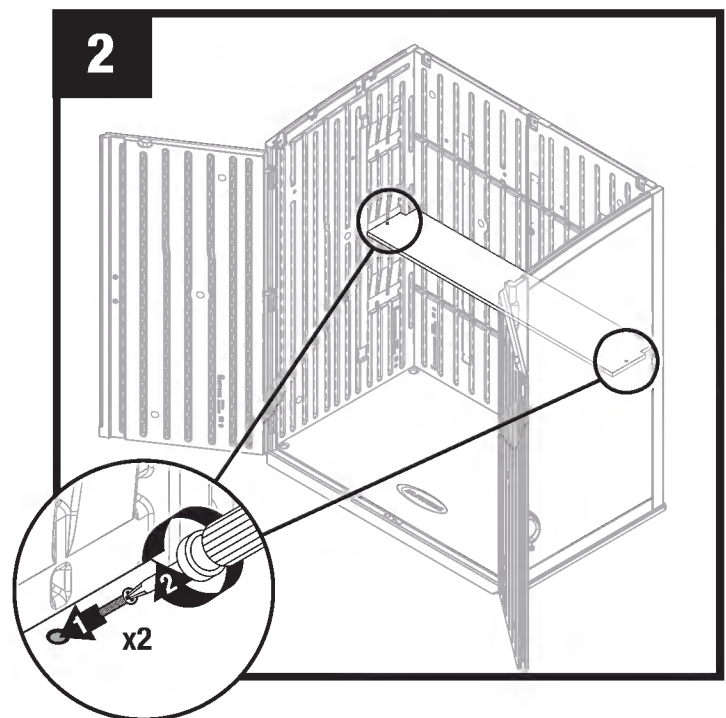


- Three optional wood shelves can be added to your storage shed.
- Cut shelves from 3/4" thick wood using dimensions above.
- Drill one 3/16" pilot hole on each side of shelf.



Place shelf into shed. Shelf must be completely seated into shelf supports on side and back panels.

Notes: Roof not shown for clarity. Shaded areas indicate recesses in side panels where shelf will rest.



To secure shelf, insert one #8 x 1.25" drywall screw (not provided) through each pilot hole and into side panels.

Enregistrez votre article pour bénéficier de la garantie limitée!

Vous devez enregistrer votre produit au programme de garantie limitée dans les 90 jours suivant votre achat.



Scanner pour obtenir la
garantie limitée à jour

www.suncast.com/warranty ou appelez-nous 1 (800) 846-2345

Des questions?


Nous pouvons vous aider. Consultez notre bibliothèque de ressources où vous trouverez des conseils utiles, des vidéos et une FAQ sur <https://support.suncast.com>.

Vous pouvez communiquer directement avec le centre d'appels au: 1-800-846-2345 ou écrire à :

Suncast Corporation, Customer Care Center, 701 N. Kirk Road, Batavia, IL 60510 (États-Unis)



Avant de commencer...

- **Consultez les autorités locales pour tout permis nécessaire à la construction de la remise.**
Avant de construire votre remise, vérifiez avec l'autorité locale en charge du respect du code du bâtiment s'il est nécessaire d'obtenir un permis ou s'il existe des restrictions de construction.
- **Des fondations à niveau et solides sont nécessaires avant que la construction de la remise ne puisse commencer.**
Vous retrouverez les renseignements sur la préparation du site aux pages 9-10. Une fondation différente de ce qui est suggéré dans ce manuel pourrait avoir pour résultat un assemblage inadéquat et des pièces endommagées.
- **Lisez entièrement les instructions avant l'assemblage.**
Cette trousse contient des pièces qui peuvent être endommagées si elles sont assemblées de manière incorrecte ou dans le mauvais ordre.
- **Veillez suivre les instructions.**
Suncast ne peut être tenu responsable du remplacement des pièces endommagées ou perdues en raison d'un assemblage incorrect.
- **Vous aurez besoin d'aide pendant toute la durée de l'assemblage.** 

IMPORTANT

TERMINEZ LA PRÉPARATION DU TERRAIN ET LA CONSTRUCTION DES FONDATIONS AVANT DE DÉBALLER LES PIÈCES.

OUVRIR TOUTES LES BOÎTES EN PREMIER ET ÉTALER LES PIÈCES DE MANIÈRE ORDONNÉE. LES BOÎTES PEUVENT CONTENIR DES PETITES PIÈCES. CONSULTER LA LISTE DES PIÈCES COMPRISE AVEC LE MANUEL POUR S'ASSURER QU'IL NE MANQUE AUCUNE PIÈCE.

ATTENTION

- Il est nécessaire que le terrain soit correctement préparé.
- La remise n'est pas prévue pour une utilisation dans des conditions climatiques extrêmes.
- La remise n'est pas prévue pour l'entreposage de produits chimiques inflammables ou corrosifs.
- Les produits lourds doivent être entreposés dans le fond de la remise.
- La remise n'est pas prévue pour être utilisée par des enfants.
- **Ne pas** se mettre debout, s'asseoir ou entreposer des produits sur le toit de la remise.
- Prendre les précautions nécessaires dans des températures extrêmes.
- Réparer ou remplacer les pièces cassées immédiatement.
- Suncast ne peut être tenu responsable des dommages causés par les conditions climatiques ou une mauvaise utilisation.
- Inspecter la remise à intervalles réguliers pour vérifier que l'intégrité de l'assemblage a été maintenue.
- Vérifier périodiquement que l'emplacement choisi pour installer la remise est toujours à niveau.
- Cette trousse contient des pièces avec des bords métalliques. Faites attention lorsque vous les manipulez.



Sécurité et entretien de la remise

- Les éléments chauds récemment utilisés, tels que les grils, les chalumeaux, etc., ne doivent pas être entreposés dans la remise.
- Les produits lourds ne doivent pas être posés contre les parois, car ils peuvent déformer et endommager définitivement les panneaux.
- Enlevez la neige et les feuilles du toit.
- La partie extérieure des parois et des panneaux du toit de la remise est texturée, tel un bardage en vinyle. Au fil du temps, la poussière peut s'accumuler dans la texture. Associée à l'humidité, elle peut favoriser la prolifération de mousse ou de moisissure dans la remise. Pour préserver l'aspect de votre remise, nous vous recommandons de la nettoyer chaque année avec du savon doux et de l'eau. **N'utilisez pas** de javel, d'ammoniaque ou d'autres produits nettoyants corrosifs et **n'utilisez pas** de brosses à poils durs. Le non-respect du nettoyage annuel peut entraîner des taches permanentes dans le plastique. Il ne s'agit pas d'un défaut de fabrication, cela n'est donc pas couvert par la garantie.



Conseils pour le jour de l'assemblage

- Terminez la préparation du terrain et la construction des fondations avant de déballer les pièces et de commencer l'assemblage.
- **Ne tentez pas** l'assemblage par un jour de grand vent.
- **Ne tentez pas** l'assemblage les jours où la température est en dessous de 32 degrés.
- Prévoyez suffisamment de temps pour assembler entièrement la remise.
- Assurez-vous d'avoir de l'aide à portée de main pour soulever et fixer les pièces.
- Portez des gants de travail légers pendant l'assemblage de la remise.
- Une fois le toit assemblé, une lampe torche peut être utile pour assembler les composants plus petits à l'intérieur de la remise.
- **N'utilisez pas** de clé dynamométrique ou de perceuse à main pour serrer les boulons Easy. Utilisez l'outil Easy Bolt Driver (fourni) **UNIQUEMENT**.
- Suncast fournit des petites attaches supplémentaires pour le confort du client. Dans certains cas, il en restera une fois l'assemblage terminé.

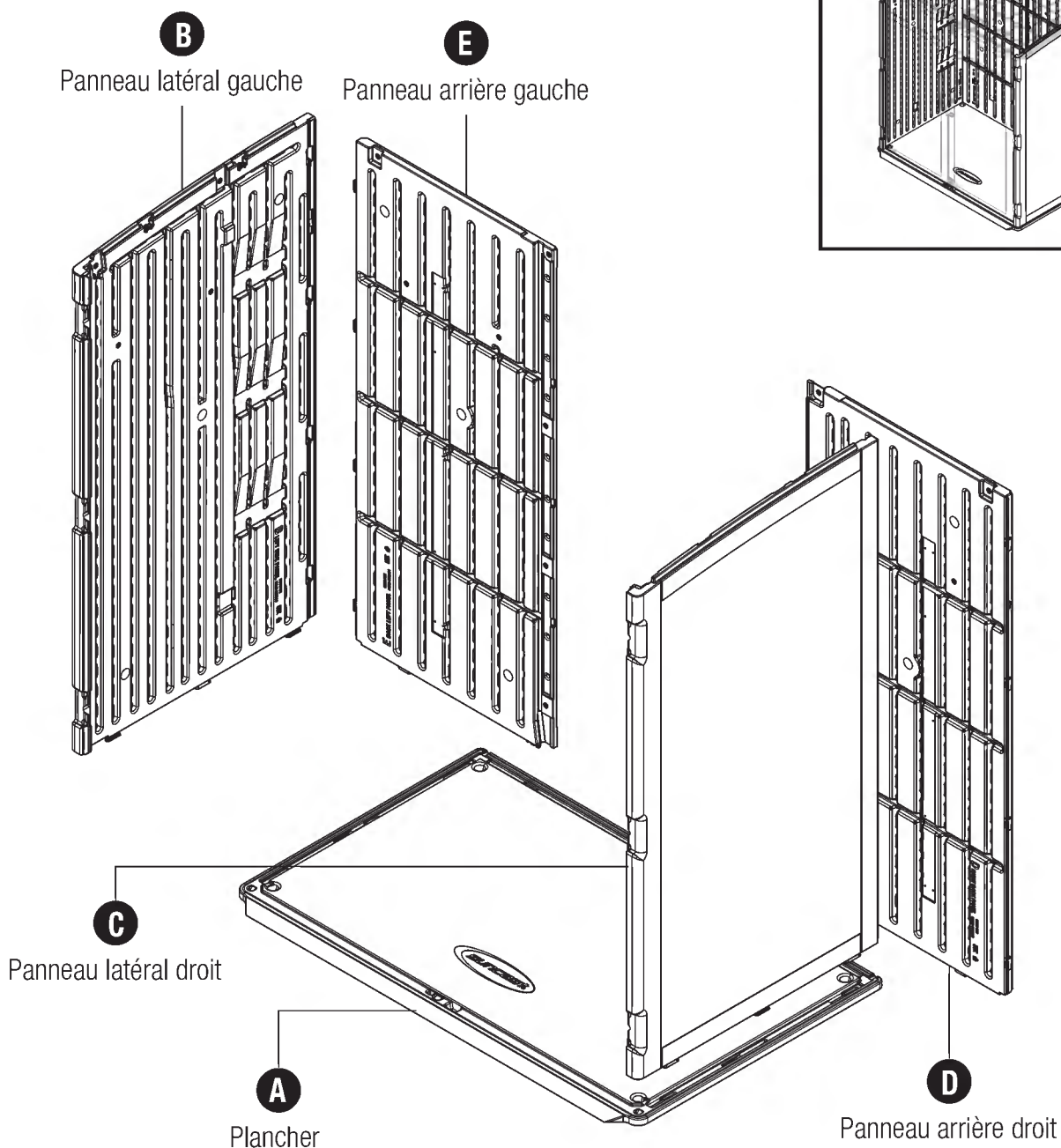
Remarque : ce produit contient des pièces qui sont utilisées dans différents sens lors de la construction de la remise. Veuillez faire attention à l'orientation des pièces indiquées dans ce manuel d'instructions. Vous pouvez endommager les pièces si vous ne suivez pas ces instructions. Suncast ne peut être tenu responsable du remplacement des pièces endommagées ou perdues en raison d'un assemblage incorrect.

IMPORTANT

OUVRIRE TOUTES LES BOÎTES EN PREMIER ET ÉTALER LES PIÈCES DE MANIÈRE ORDONNÉE. LES BOÎTES PEUVENT CONTENIR DES PETITES PIÈCES. CONSULTER LA LISTE DES PIÈCES COMPRISE AVEC LE MANUEL POUR S'ASSURER QU'IL NE MANQUE AUCUNE PIÈCE.

TERMINEZ LA PRÉPARATION DU TERRAIN ET LA CONSTRUCTION DES FONDATIONS AVANT DE DÉBALLER LES PIÈCES.

Pièces - Mur et sol

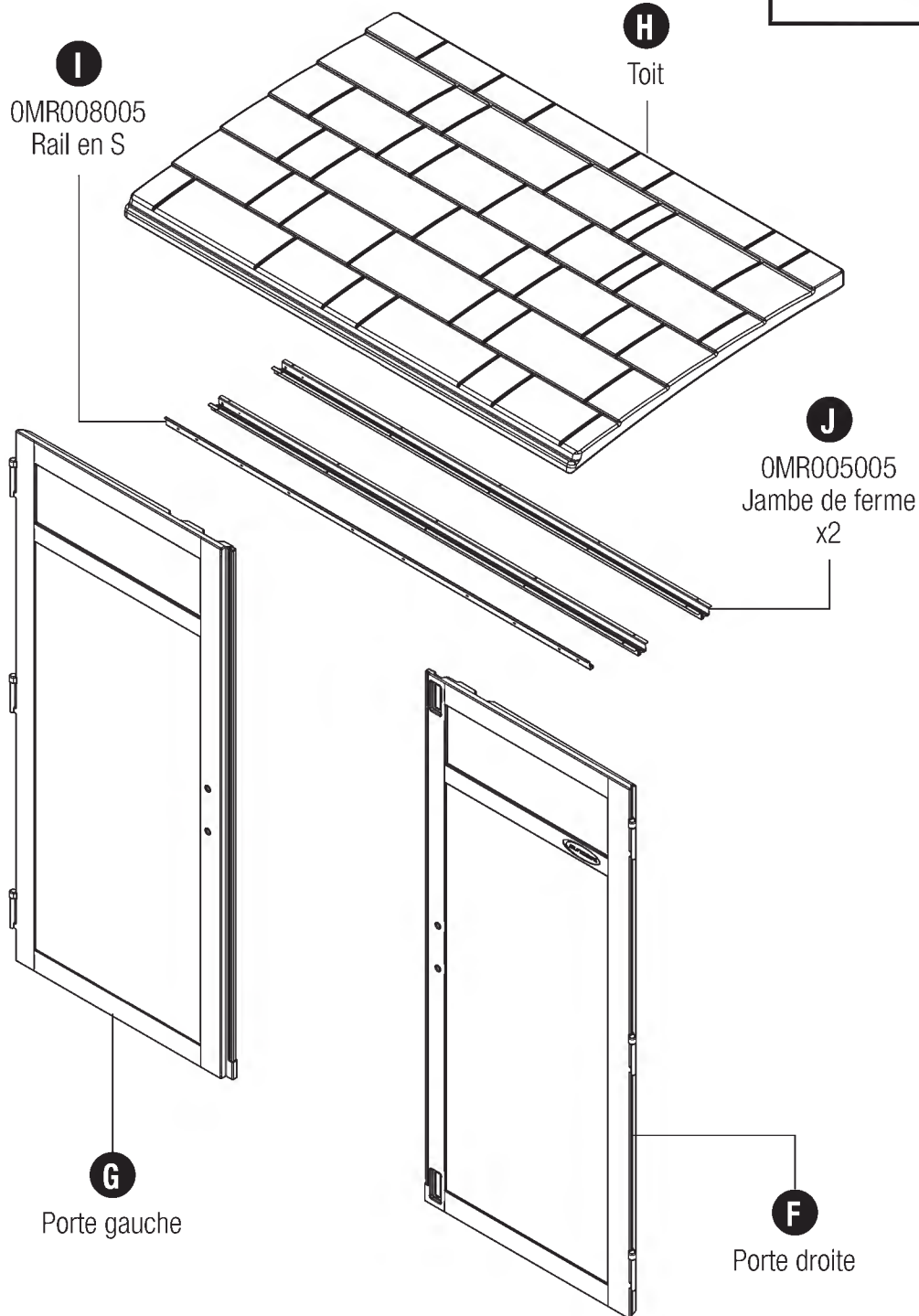
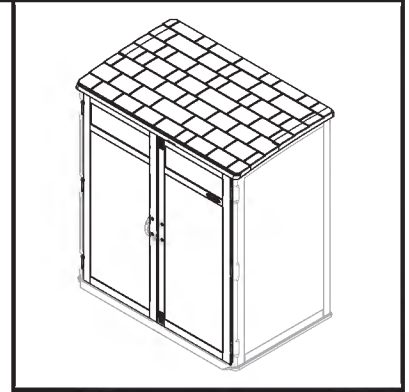


Pièces - Toit et portes

IMPORTANT

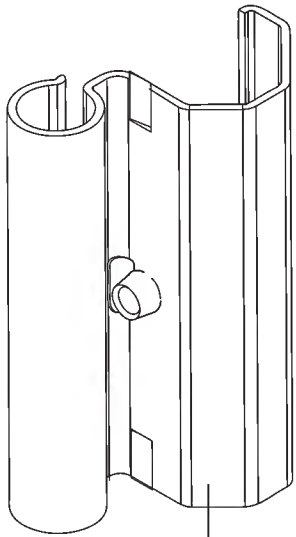
OUVRIER TOUTES LES BOÎTES EN PREMIER ET ÉTALER LES PIÈCES DE MANIÈRE ORDONNÉE. LES BOÎTES PEUVENT CONTENIR DES PETITES PIÈCES. CONSULTER LA LISTE DES PIÈCES COMPRISE AVEC LE MANUEL POUR S'ASSURER QU'IL NE MANQUE AUCUNE PIÈCE.

TERMINEZ LA PRÉPARATION DU TERRAIN ET LA CONSTRUCTION DES FONDATIONS AVANT DE DÉBALLER LES PIÈCES.



Pièces - Quincaillerie

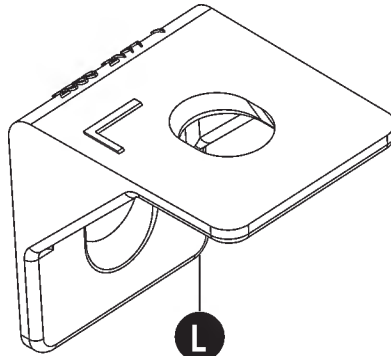
Sac de quincaillerie



AA

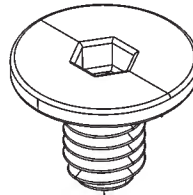
OMP000022
Charnière de porte
x6

Sac de quincaillerie



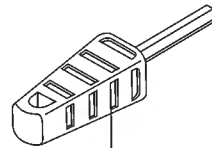
L

Support de toit
x7



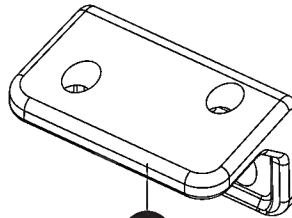
EE

Boulon facile
x21



FF

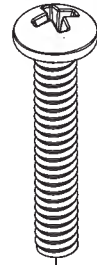
Tournevis pour boulon facile



II

0102721
Door clip bracket
x2

0480464 – Sac de quincaillerie



GG

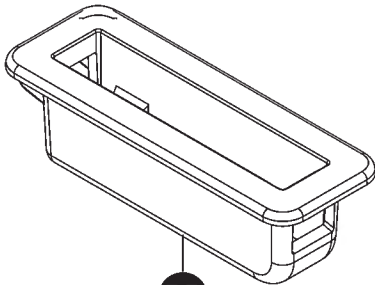
0631017
0,25" (0,6 cm) x 1,5" (3,75 cm)
Vis mécanique
x7



HH

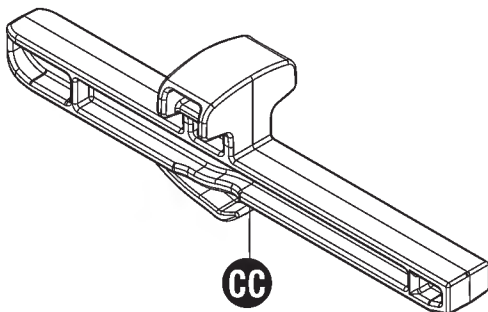
0630821
Vis à tête bombée
0,625 (1,6 cm)
x38

0463903 – Sac de quincaillerie



BB

0101222
Boîtier du loquet de la porte



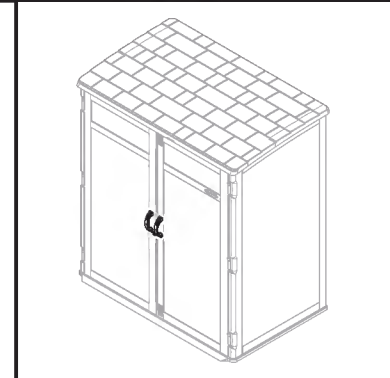
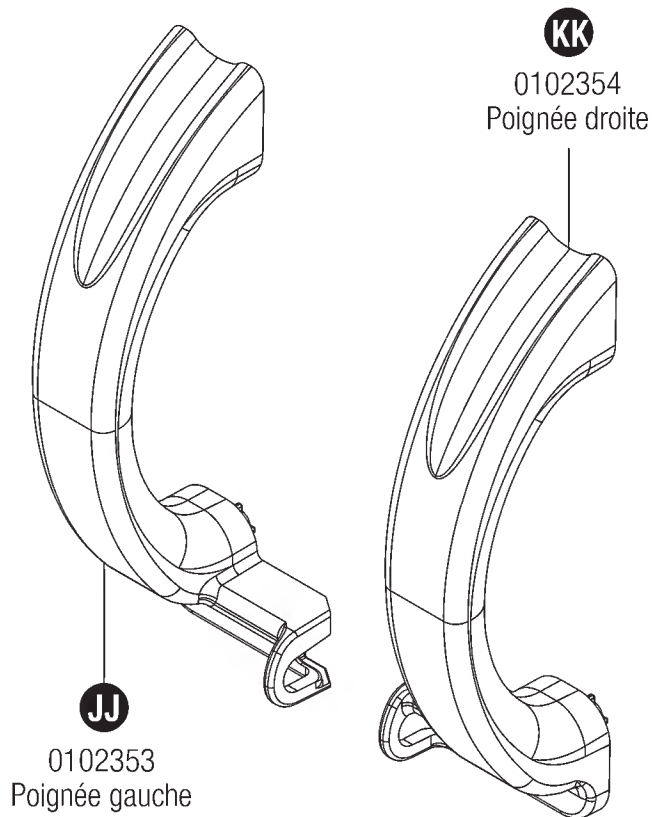
CC

0101221
Loquet de la porte

Quincaillerie supplémentaire fournie.
Pas toute la quincaillerie sera utilisée.

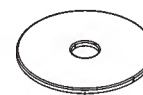
Pièces - Pièces pour trousse de poignée de porte

0463910 – Trousse de poignée de porte



0480463 – Quincaillerie pour poignée de porte

LL
0632130
#10 x 1.75" (4,5 cm)
Vis à tête cylindrique bombée
x4



MM
0631284
#10 x 1" (2,5 cm)
Rondelle de protection
x4

Accessoires de remise

REMARQUE: votre remise peut inclure des accessoires de rangement en option
Voir: www.suncast.com pour plus de détails

Préparation du site et construction de la plate-forme

Matériel NON fourni avec la trousse de la remise

Remarque : La préparation du site est requise pour cette remise. La mise en place de la remise sur une fondation construite est nécessaire. Sans une fondation construite, la sédimentation se produira probablement, provoquant une distorsion et des dommages à la remise. Le fabricant n'est pas responsable du remplacement des pièces endommagées ou des biens perdus en raison d'un assemblage incorrect. La garantie nécessite une fondation.

Remarque : Terminez la préparation du site et la construction des fondations avant de déballer les pièces et de commencer l'assemblage.

Pour préparer votre site, suivez les étapes ci-dessous:

- 1 Consultez vos autorités locales pour connaître les codes de construction et les engagements avant de commencer la fondation ou la construction de la remise.
- 2 Avant de creuser, vérifiez auprès des services publics locaux pour déterminer l'emplacement des câbles enterrés, des tuyaux, etc.
- 3 Décidez du type de fondation que vous souhaitez :
 - Dalle de béton de 4 po (10 cm) d'épaisseur

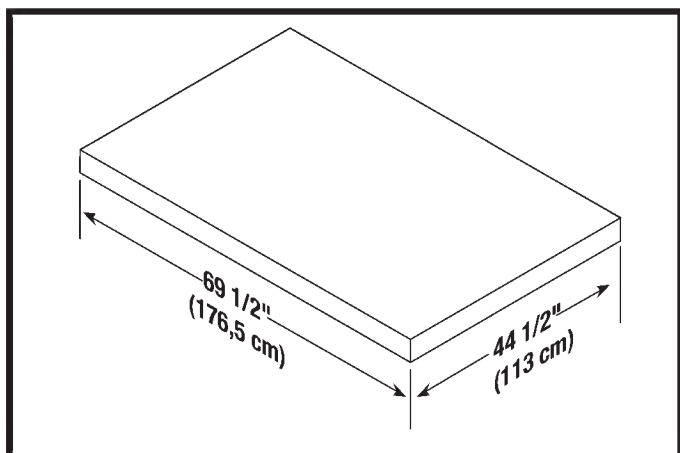
OR

- Plate-forme en bois

Utilisez du bois de qualité extérieure. La plate-forme en bois doit être placée sur des blocs ou des semelles. Consultez votre revendeur local pour obtenir de l'aide afin de déterminer la meilleure méthode d'ancrage pour votre installation particulière. Les plans fournis tiennent compte du nombre minimum de coupes de bois et de contreplaqué.

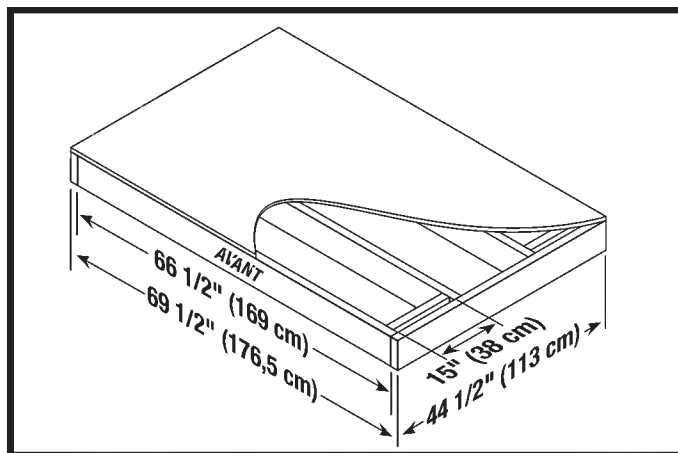
- 4 Préparez le site :
 - Le sol doit s'incliner loin de la zone de fondation pour assurer le drainage.
 - La surface de la fondation doit être plate et nivelée.
 - Un pare-vapeur doit être prévu pour empêcher une condensation excessive dans la remise.
 - Suivez les codes de construction locaux pour un pare-vapeur adéquat.
- 5 Ancrez la remise à la fondation:
 - Consultez votre revendeur local pour obtenir de l'aide afin de déterminer la meilleure méthode d'ancrage pour votre installation particulière.
 - Pour fixer la remise à une dalle de béton, utilisez quatre (4) boulons d'ancrage de 3/8 po (1 cm) et quatre (4) rondelles plates de 3/8 po x 1 po (1 cm x 2,5 cm).
 - Pour fixer la remise à une plate-forme en bois, utilisez des tirefonds de 3/8 po (1 cm) et des rondelles plates de 3/8 po x 1 po (1 cm x 2,5 cm).

Ancrage du panneau de plancher à la dalle de béton



- Fixez la remise à la dalle de béton en utilisant des attaches de maçonnerie.
- Les dimensions permettent à la remise de s'installer dans le 1 po (2,5 cm) le plus proche de chaque côté.

Ancrage du panneau de plancher à la plate-forme en bois

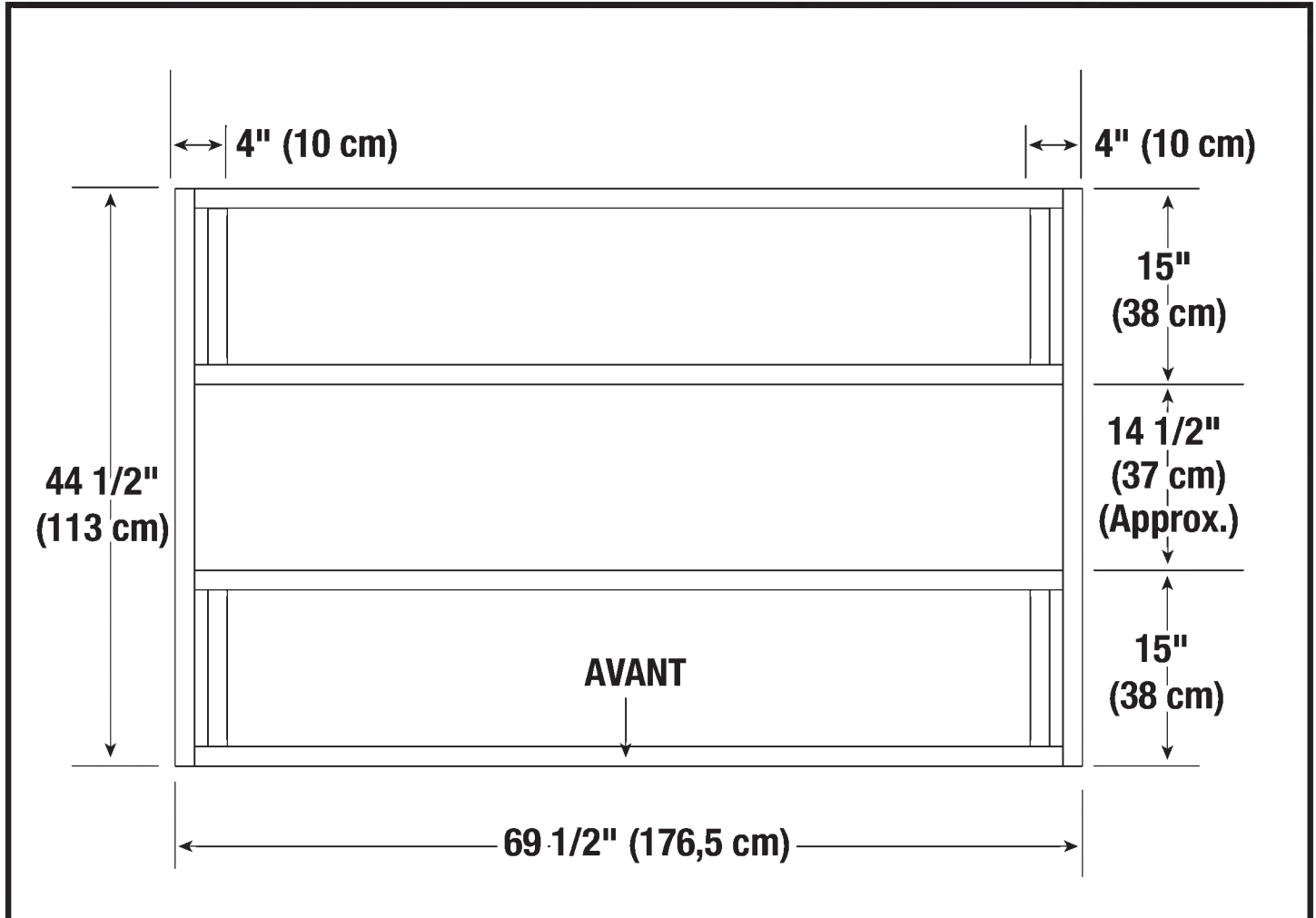


- Fixez la remise à la plate-forme en bois à l'aide des tirefonds de 1/4 po x 3 po (0,6 cm x 7,6 cm).

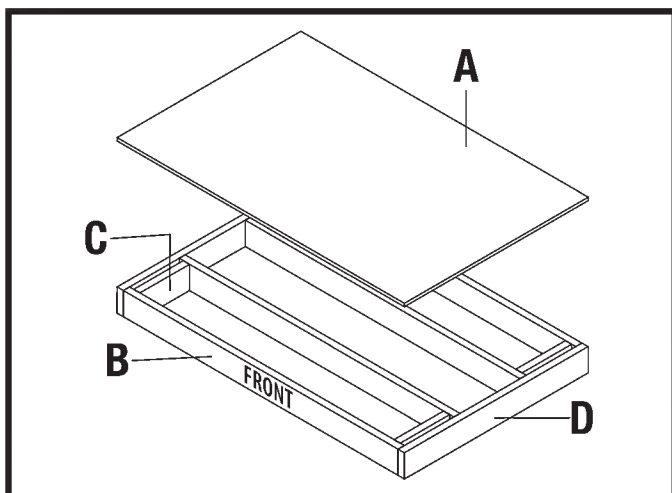
Préparation du site et construction de la plate-forme

Matériel NON fourni avec la trousse de la remise

Espacement critique de la plate-forme en bois



- Vérifiez toutes les mesures d'espacement critiques.

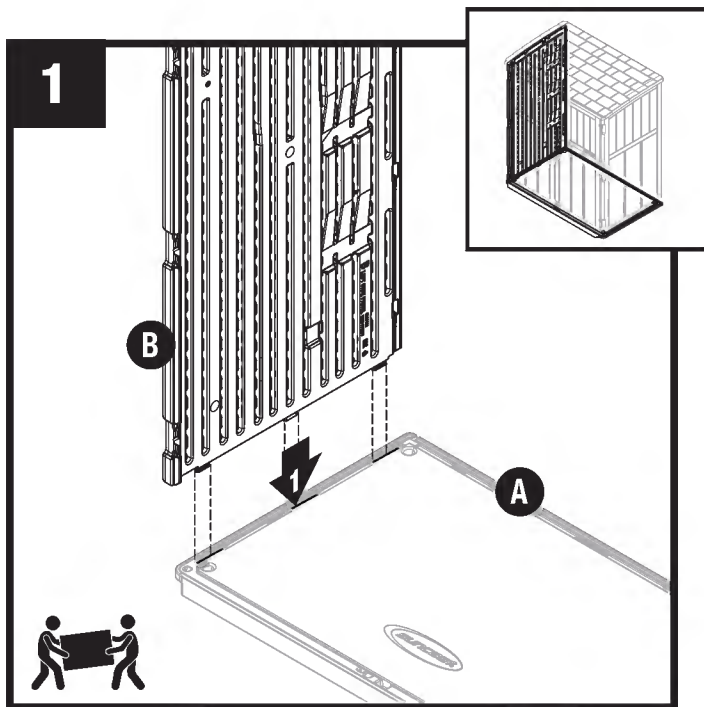


Liste des matériaux de la plate-forme en bois

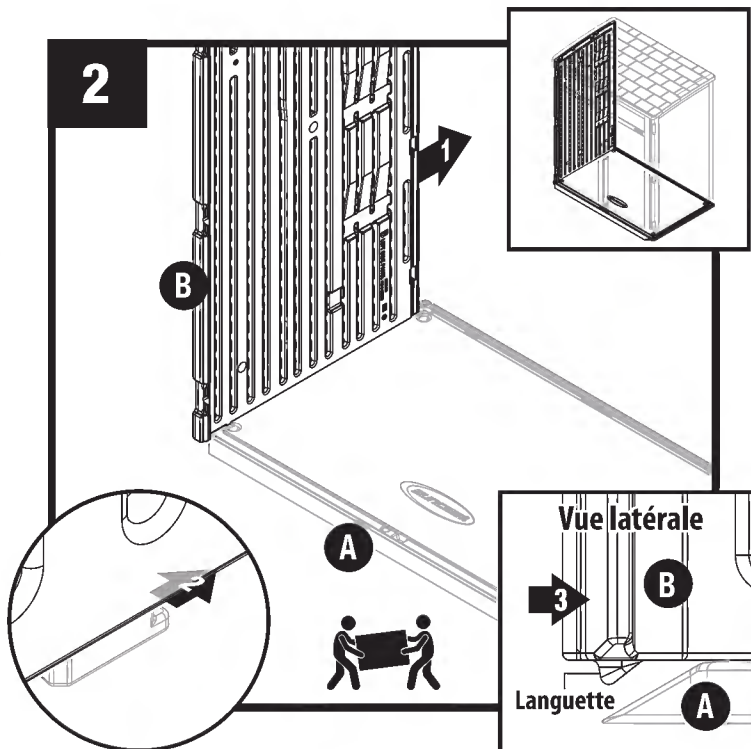
Item	Qty	Size
A	1	44 1/2 po x 69 1/2 po x 3/4 po 113 cm x 176,5 x 1,9 cm
B	4	2 po x 6 po x 66 1/2 po 5 cm x 15,2 cm x 168,9 cm
C	4	2 po x 6 po x 12 po 5 cm x 15,2 cm x 30,5 cm
D	2	2 po x 6 po x 44 1/2 po 5 cm x 15,2 cm x 113 cm

Remarque : Le bois dimensionnel est en réalité 1/2 po (1,3 cm) plus petit que les tailles notées.

Assemblage – Murs

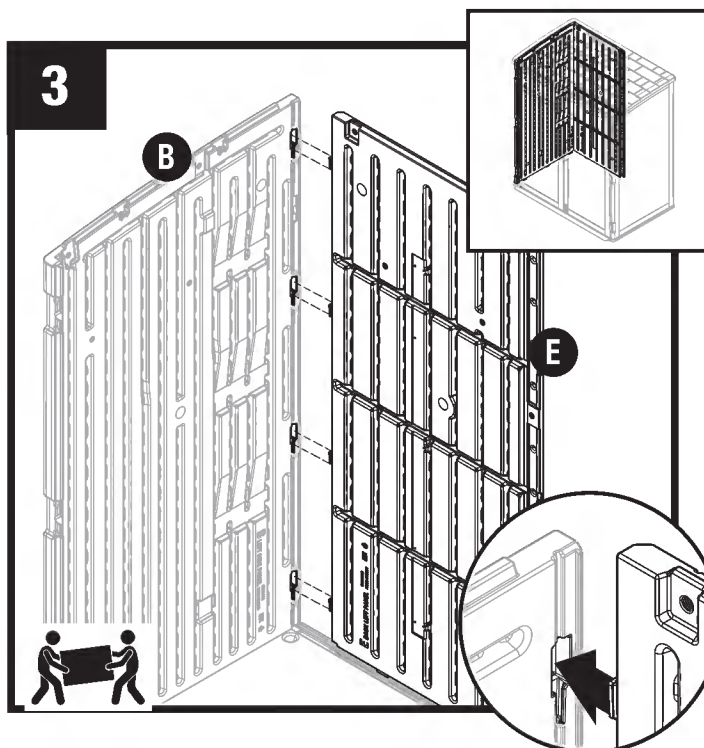


Alignez les languettes du panneau latéral inférieur gauche (B) avec les fentes du plancher (A). Abaissez le panneau dans les fentes.

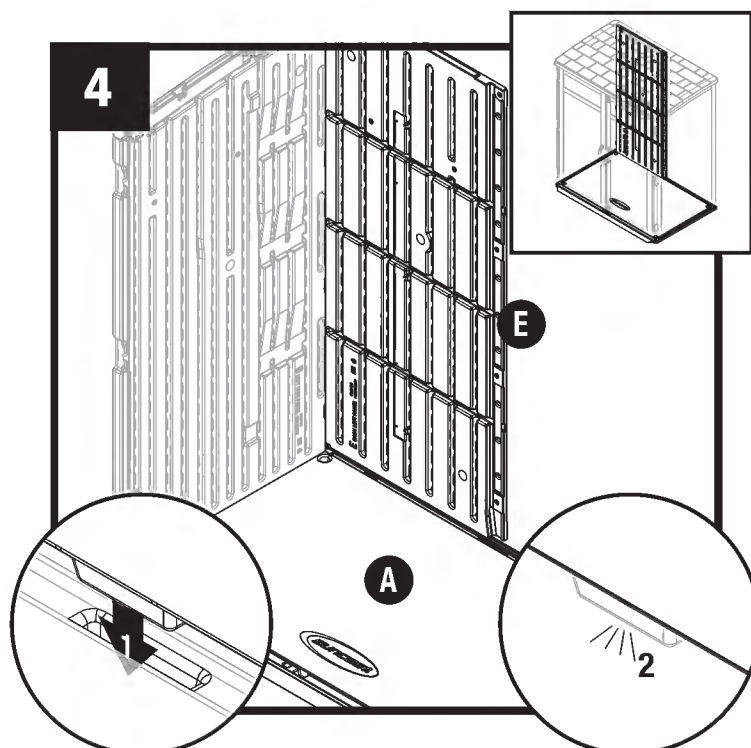


Verrouillez le panneau latéral (B) en faisant glisser le panneau vers l'arrière du panneau de plancher (la languette d'angle avant glissera en position).

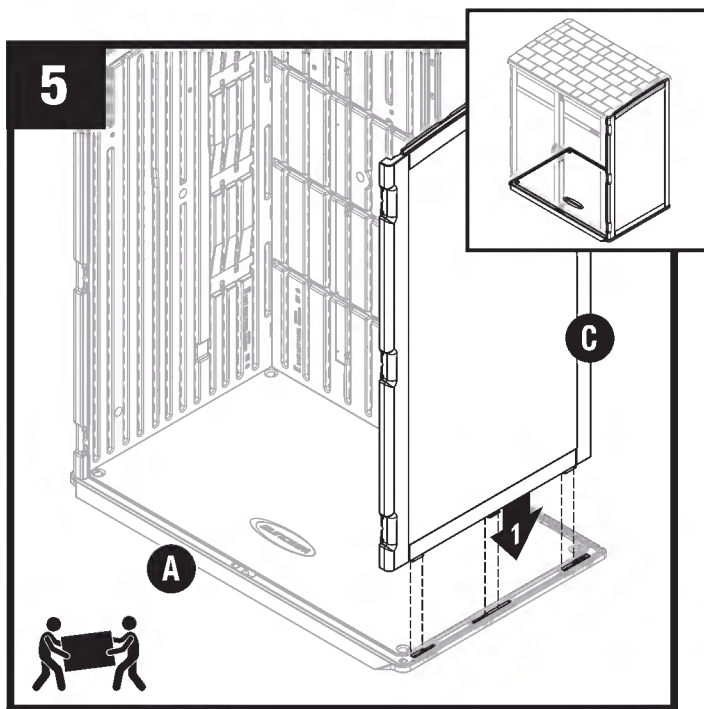
Remarque : Utilisez un maillet en caoutchouc pour « pousser » le panneau latéral gauche (B) en position verrouillée.



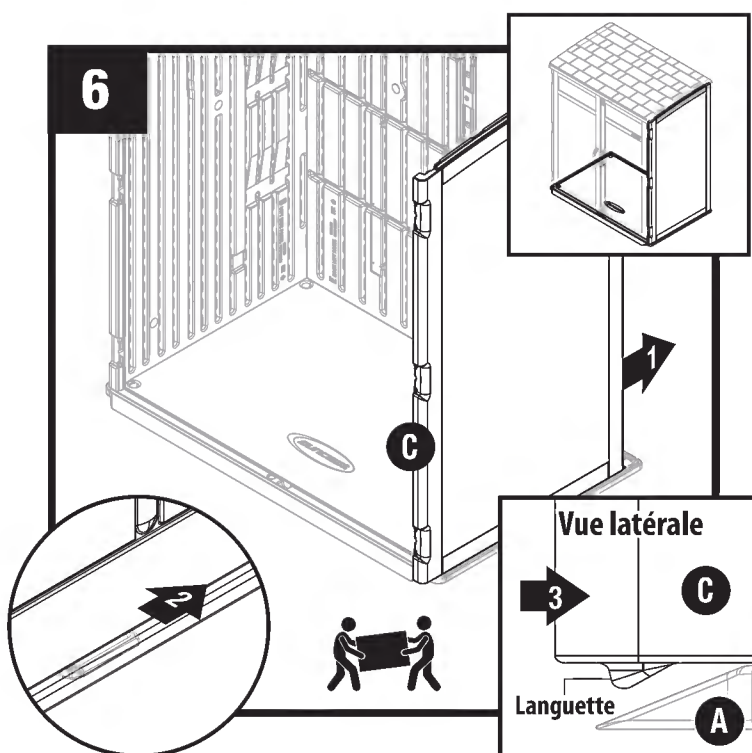
Alignez les languettes sur le côté du panneau arrière gauche (E) avec les fentes du panneau latéral gauche (B). Faites glisser le panneau arrière gauche vers le panneau latéral gauche.



Abaissez les languettes du panneau arrière gauche (E) dans les fentes du plancher (A). Les onglets du panneau arrière gauche « s'enclencheront » en place lorsqu'ils seront correctement positionnés.

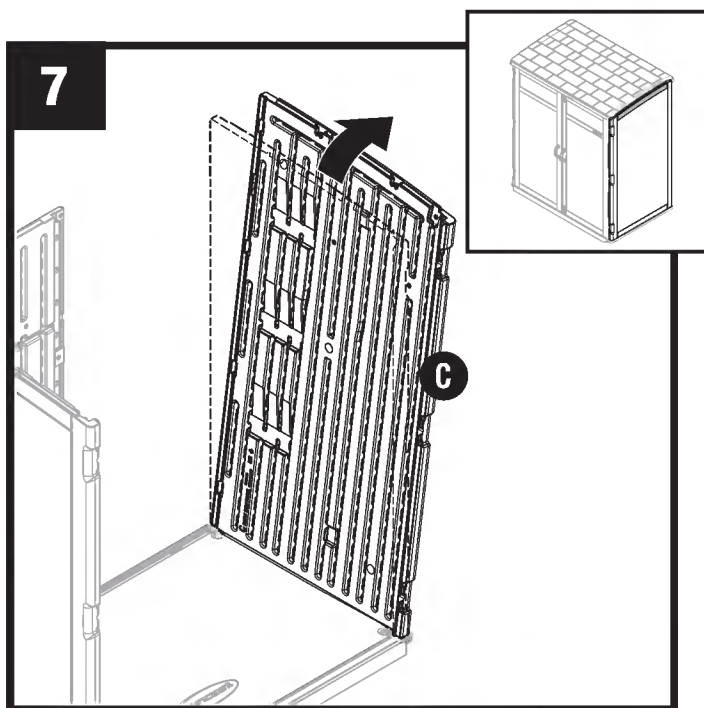


Alignez les languettes du panneau latéral inférieur droit (C) avec les fentes du plancher (A). Abaissez le panneau dans les fentes.

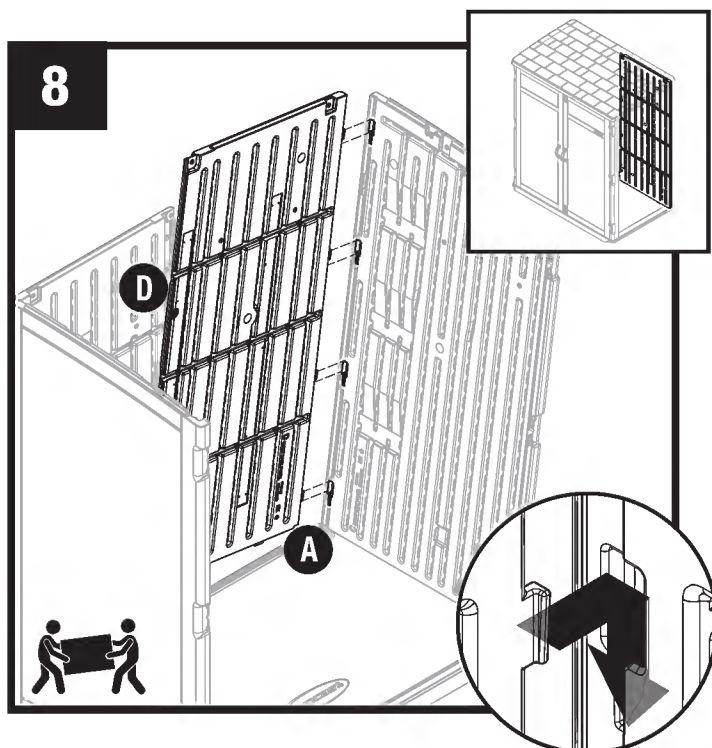


Verrouillez le panneau latéral (C) en faisant glisser le panneau vers l'arrière du panneau de plancher (la languette d'angle avant glissera sur le sol et en position).

Remarque : Utilisez un maillet en caoutchouc pour « pousser » le panneau latéral droit (C) en position verrouillée.

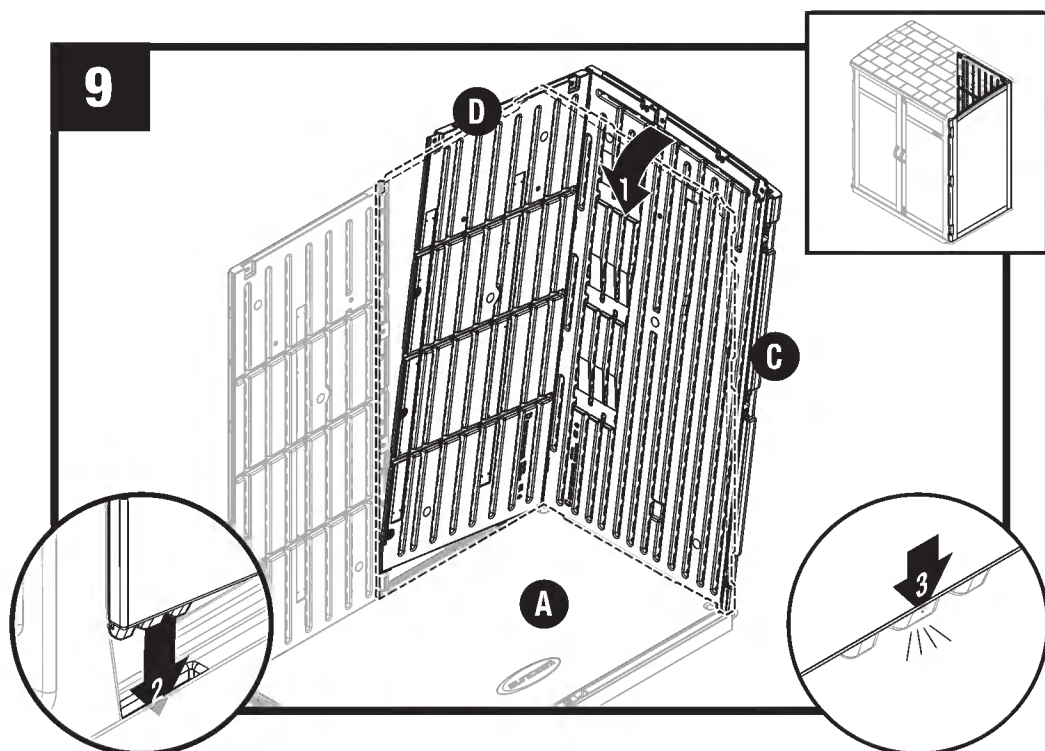


Inclinez le panneau droit (C) vers l'extérieur.



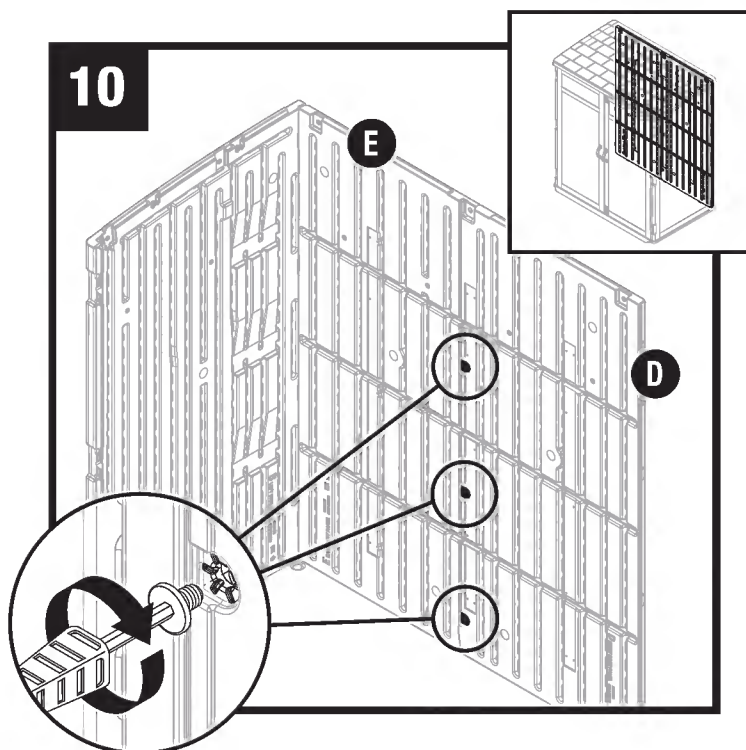
Dans un angle, alignez les languettes sur le côté du panneau arrière droit (D) avec les fentes du panneau latéral droit (C). Faites glisser le panneau arrière droit dans le panneau latéral droit pour le fixer.

Assemblage – Murs (suite)



Inclinez le panneau arrière droit (D) et le panneau latéral droit (C) vers la position verticale (abaissez les languettes du panneau arrière droit dans les fentes du plancher (A). Les onglets du panneau arrière droit « s'enclencheront » en place lorsque la position sera correcte.

Remarque : Le panneau latéral gauche n'est pas illustré pour plus de clarté.

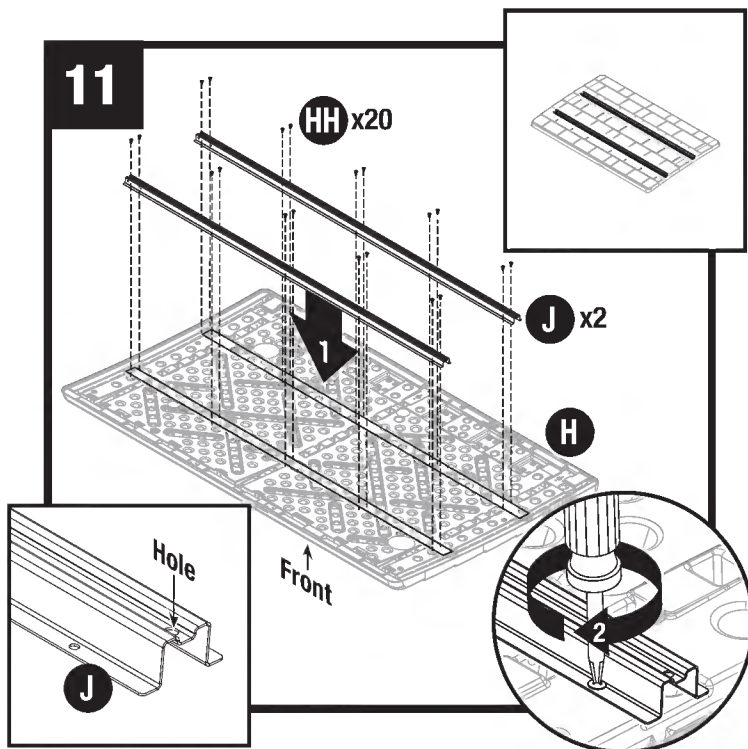


Fixez les panneaux arrière (E, D) ensemble à l'aide de trois boulons faciles (EE) qui fonctionnent de bas en haut. **N'utilisez pas** de clé dynamométrique. Serrez à l'aide d'un tournevis pour boulons faciles (FF). La tête du boulon facile sera affleurante lorsqu'il sera complètement en place. **Ne serrez pas** trop les boulons faciles.

Remarque : L'emplacement du boulon supérieur sera installé dans une étape ultérieure.

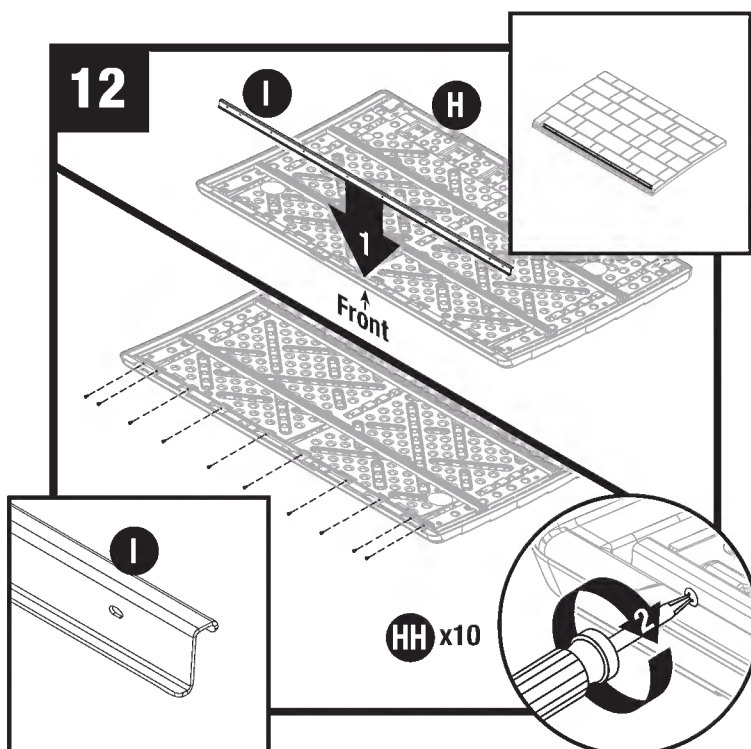
Remarque : Le panneau latéral droit n'est pas illustré pour plus de clarté. Vous pouvez entendre un « clic » lorsque le boulon facile a été serré complètement.

Assemblage – Toit



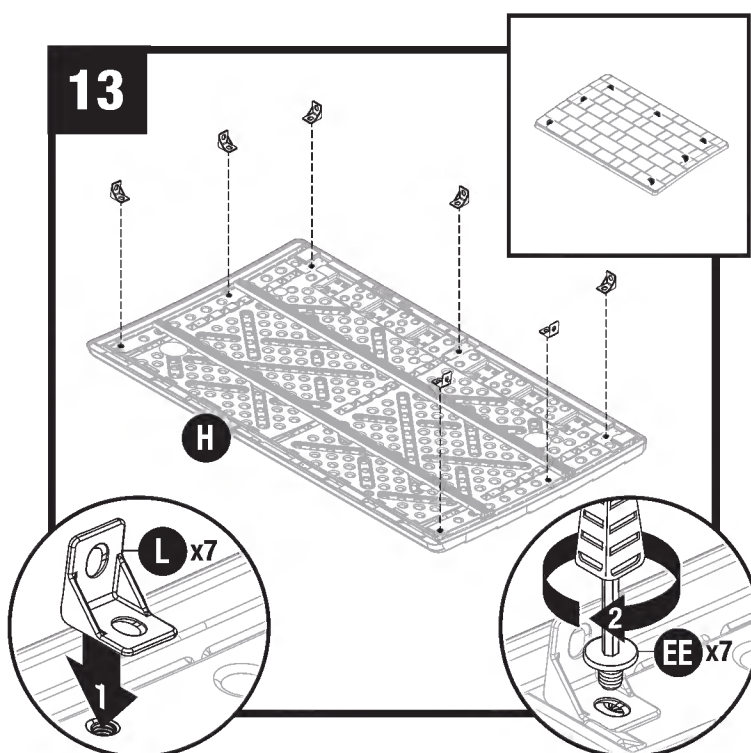
Placez le toit sur une surface plane et abaissez chaque support (J) dans les canaux situés sous le panneau de toit (H). Le trou supérieur du support (J) doit se trouver à droite pour une orientation correcte. Alignez les trous des jambes de ferme sur les supports situés sur le panneau de toit. Fixez le support en utilisant dix vis (HH) pour chacun.

Remarque : Les supports doivent être installés dans l'orientation indiquée ci-dessus. Le toit ne s'ajuste pas si les supports sont installés à l'envers.



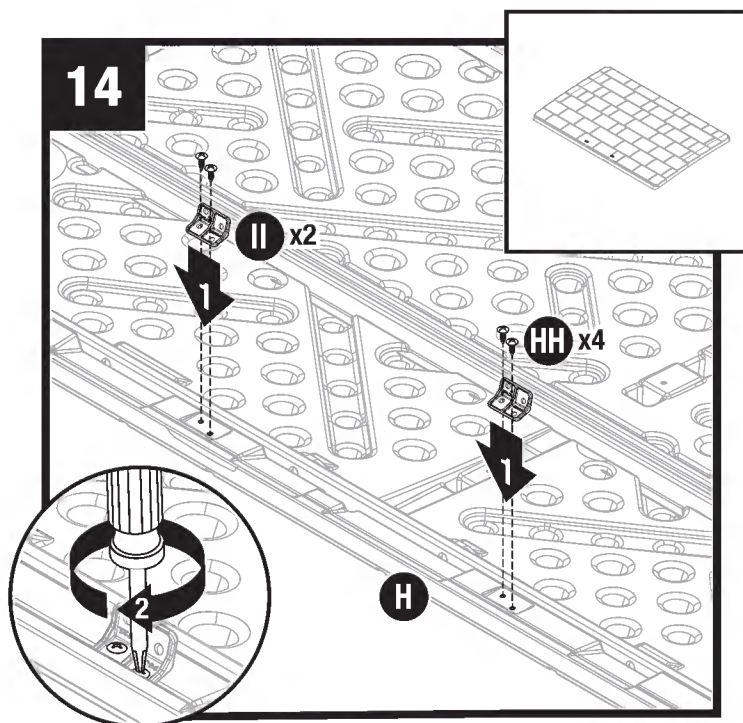
Abaissez le support en S (I) en position sur le toit (H). Fixez à l'aide de dix vis (HH). L'orientation correcte du support en S (I) est indiquée ci-dessus.

Remarque : Il n'y a pas de trous pré-perçés sur le toit. Utilisez la force en vissant les vis autotaraudeuses. Une fois que la vis a percé le plastique, elle se déplacera plus facile.



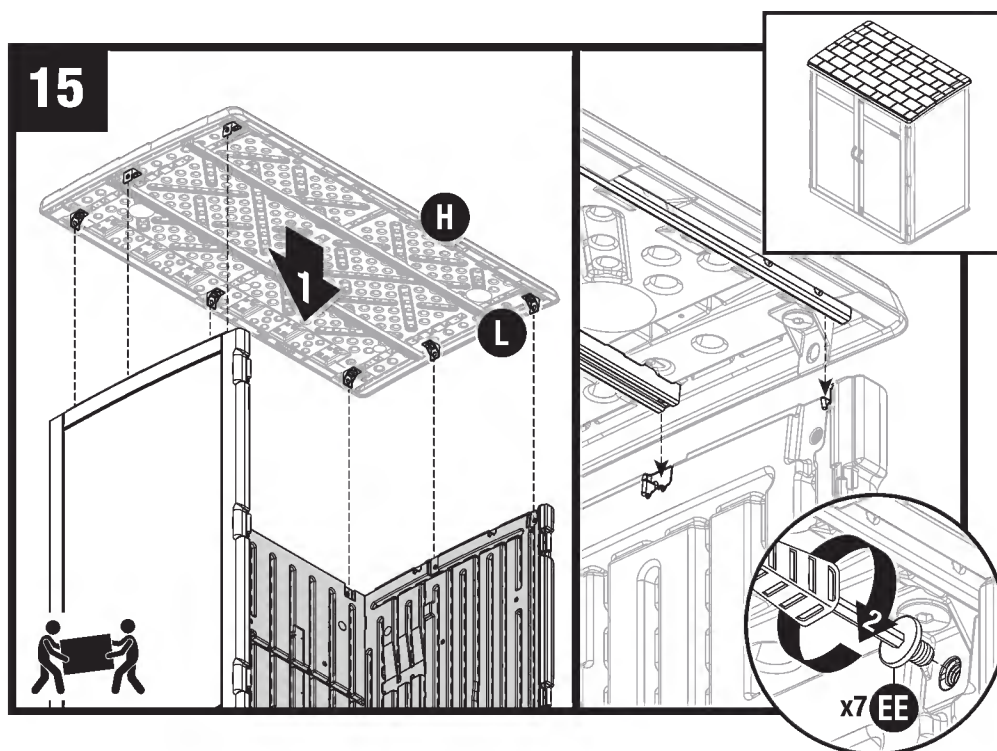
Abaissez le support de toit (L) en position sur le toit. Fixez le support à l'aide d'un boulon facile. **N'utilisez pas** de clé dynamométrique. Serrez à l'aide d'un tournevis pour boulons faciles (FF). La tête du boulon facile sera affleurante lorsqu'il sera complètement en place. **Ne serrez pas trop** les boulons faciles.

Assemblage - Toit (suite)



Fixez les supports de clip de porte (II) au bas du panneau de toit (H) à l'aide de deux vis (HH).

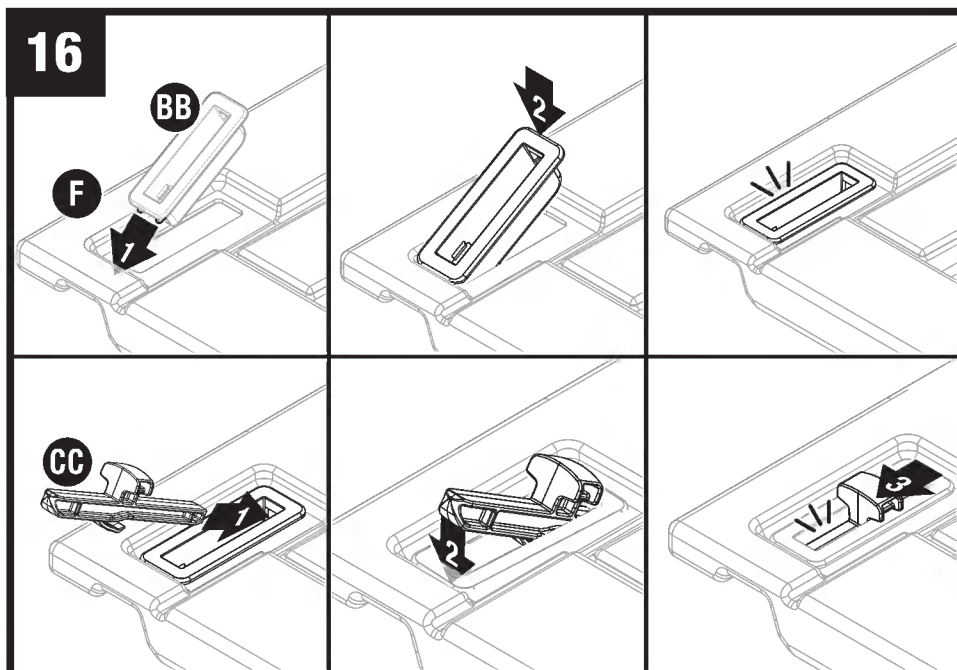
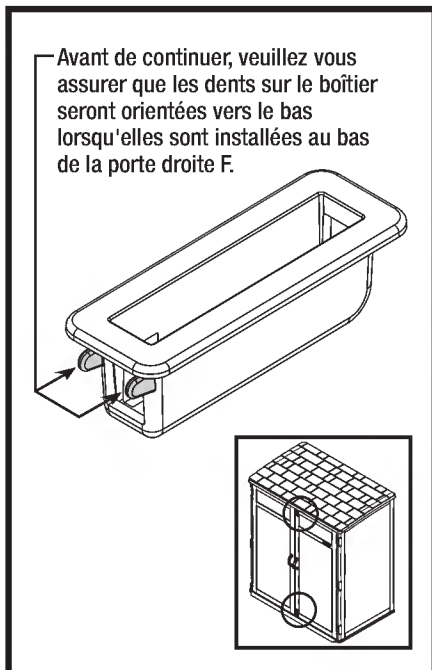
Remarque : La partie verticale du support doit être orientée vers l'intérieur de la remise.



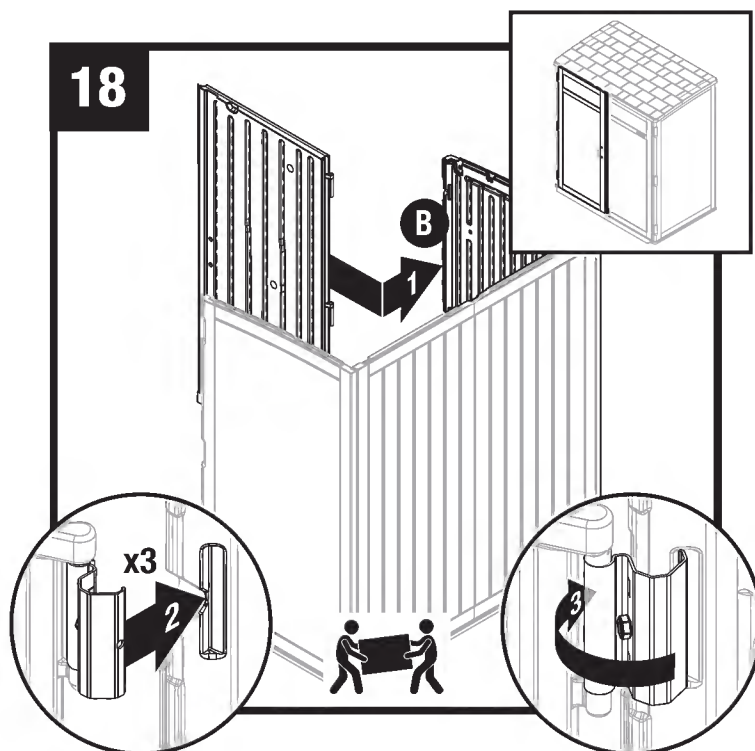
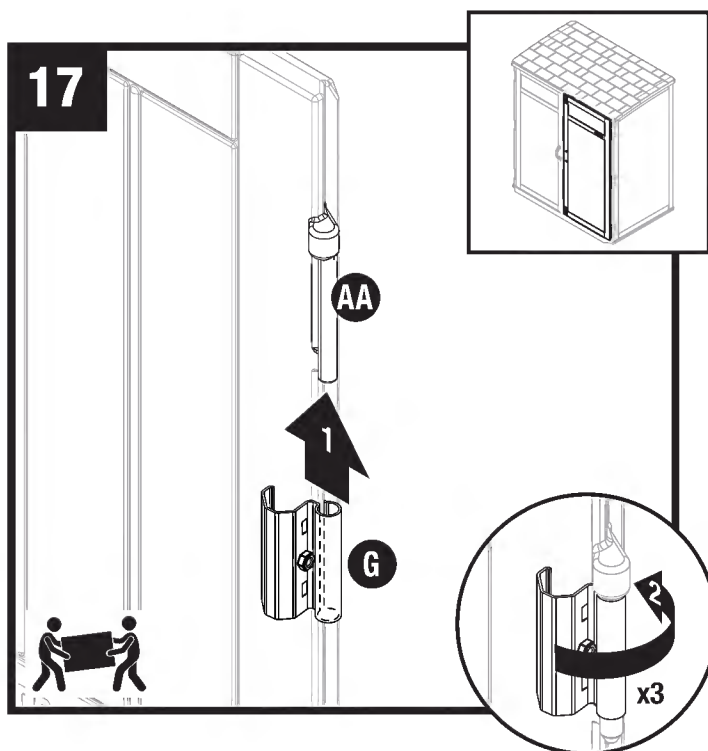
Abaissez le panneau du toit (H) et alignez les supports du toit (L) avec les trous sur les murs. Les jambes de la ferme et les rails en S pré-assemblés sur le toit s'insèrent dans les encoches des panneaux latéraux (ce qui permet d'aligner correctement le toit). Fixez le support à l'aide de sept boulons faciles (EE).

N'utilisez pas de clé dynamométrique. Serrez à l'aide d'un tournevis pour boulons faciles (FF). La tête du boulon facile sera affleurante lorsqu'il sera complètement en place. **Ne serrez pas** trop les boulons faciles.

Assemblage - Portes



Insérez le boîtier du loquet de la porte (BB) dans la porte inférieure droite (F) et enclenchez-le en place. Insérez le loquet de la porte (CC) dans le logement du loquet de la porte. Poussez la goupille du loquet de manière à ce qu'elle soit complètement installée dans le boîtier du loquet. Poussez avec force jusqu'à ce que vous entendiez un « déclic ». Faites glisser le loquet vers le haut et vers le bas pour confirmer qu'il glisse correctement. Répétez l'opération pour le loquet supérieur de la porte (lorsque répété en haut de la porte, l'orientation sera inversée).

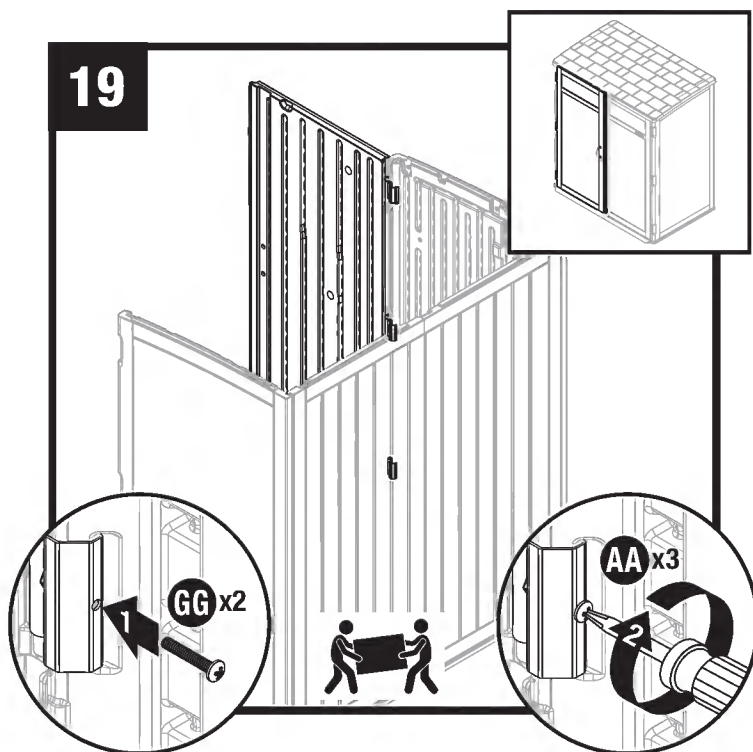


Tenez la porte droite (G) à la verticale avec les supports de charnière vers la droite. Glissez une plaque de charnière en métal (AA) sur chaque support de charnière. Tournez les plaques de charnière en métal pour les ouvrir.

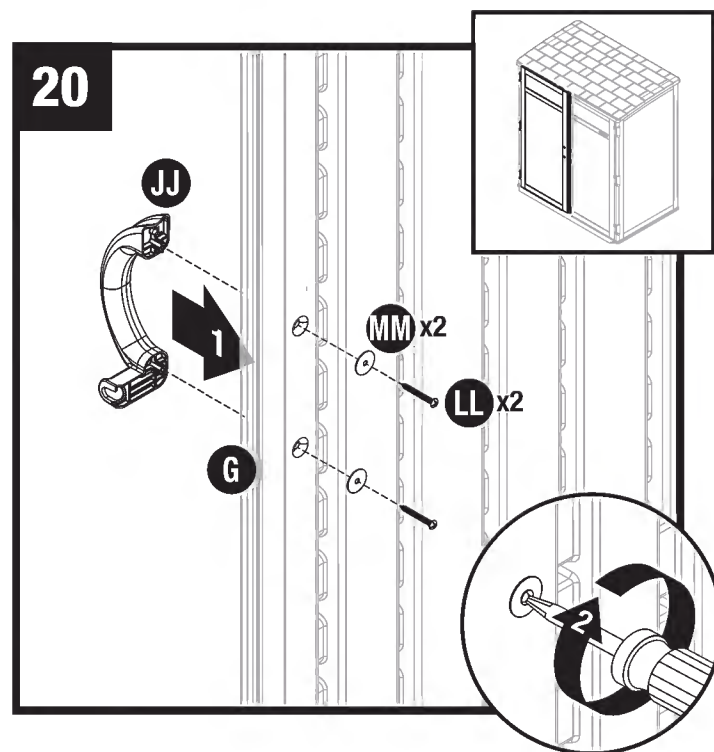
Répétez pour la porte gauche (F).

Glissez une plaque de charnière en métal sur chaque réceptacle de charnière à l'intérieur du panneau latéral gauche (B).

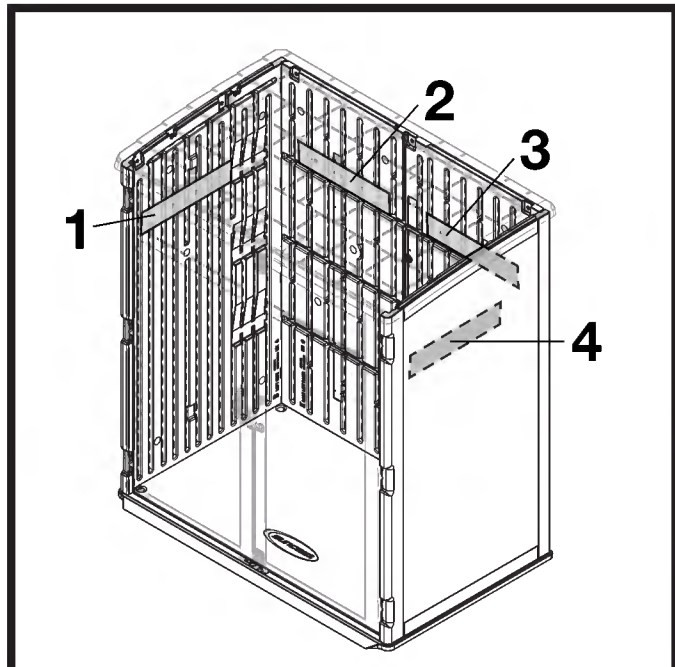
Assemblage - Portes (suite)



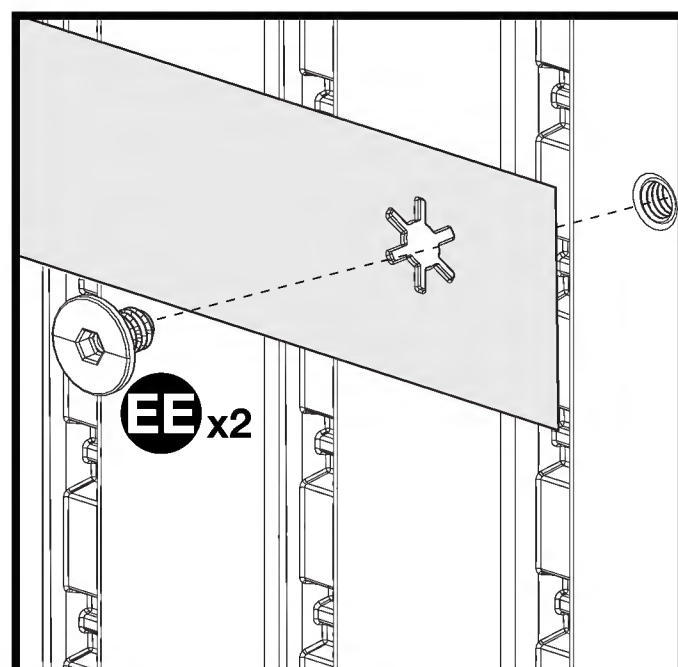
Fixez chaque charnière de porte (AA) avec une vis (GG).
Répétez les étapes 17 - 19 pour la porte droite (F).



Fixez la poignée gauche (JJ) à la porte gauche (G) à l'aide des rondelles (MM) et des vis (LL). Répétez l'opération pour la porte droite (F) et la poignée de porte droite (KK).



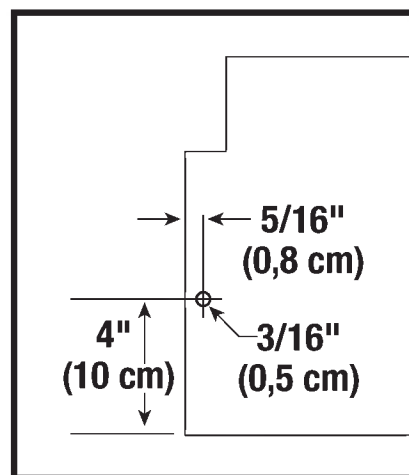
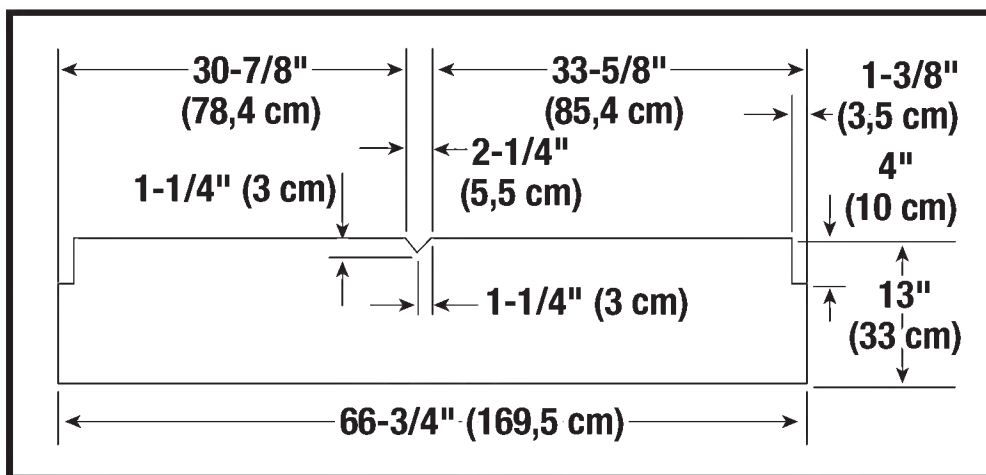
Placez l'accessoire (A) sur l'un des panneaux muraux.
Il existe quatre emplacements facultatifs.



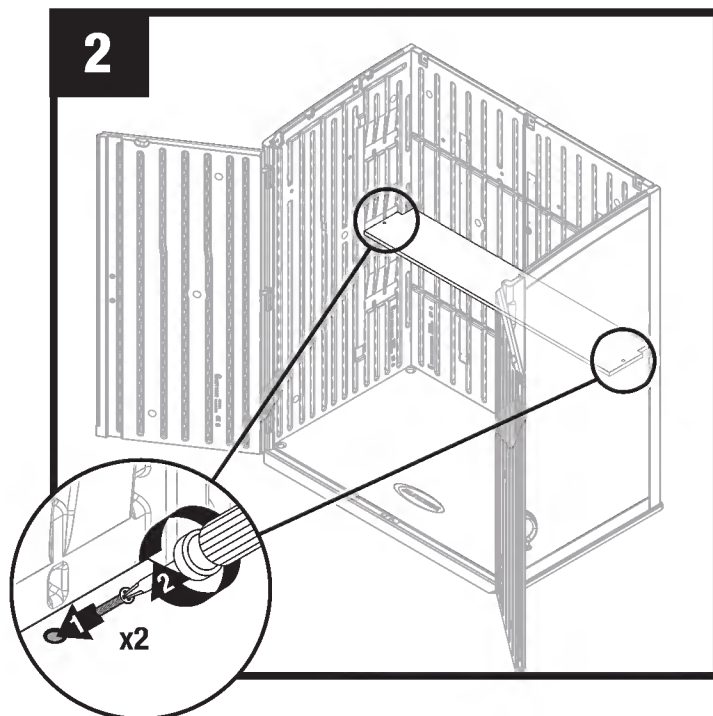
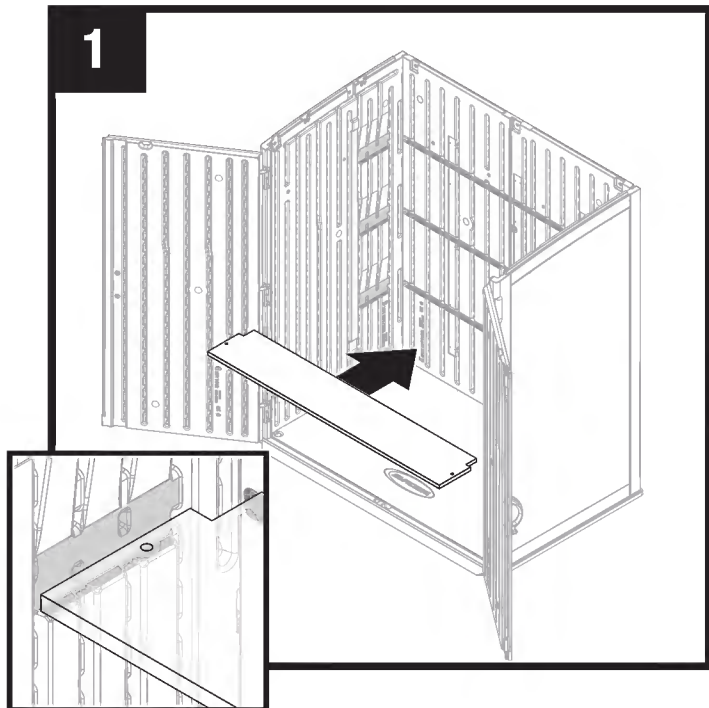
Aligner le crochets (NN) avec les trous dans les murs de hangar acceptant les boulons faciles. Voir ci-dessus les emplacements en fonction du type de remise que vous avez. Insérez un boulon facile (EE) dans le trou du crochet et utilisez un tournevis simple (FF) pour le visser dans le mur.

- Limite de poids maximale 25 lb (11 kg) par panneau.
- Le panier n'est pas conçu pour le stockage de produits chimiques inflammables ou caustiques.
- Le panier n'est pas destiné à stocker des objets fragiles.

Étagère en bois à l'intérieur en option (matériaux non inclus)



- Trois étagères en bois facultatives peuvent être ajoutées à votre remise de stockage.
- Coupez les étagères en bois de 3/4 po (1,9 cm) d'épaisseur en utilisant les dimensions ci-dessus.
- Percez un avant-trou de 3/16 po (0,5 cm) de chaque côté de l'étagère.



Placez l'étagère dans la remise. L'étagère doit être complètement assise dans les supports d'étagère sur les panneaux latéraux et arrière.

Remarque : Le toit n'est pas illustré pour plus de clarté. Les zones en surbrillance indiquent les évidements dans les panneaux latéraux où repose l'étagère.

Pour fixer l'étagère, insérez une vis à cloison sèche no 8 x 1,25 po (20,3 cm x 3,2 cm) (non fournis) dans chaque trou pilote et dans les panneaux latéraux.

iRegistre su producto para obtener una garantía limitada!

Debe registrar el producto dentro de los 90 días posteriores a la compra para obtener una garantía limitada



Escanear para obtener garantía limitada actualizada

www.suncast.com/warranty o llámenos 1 (800) 846-2345

¿Alguna pregunta?

Estamos aquí para ayudarle. Consulte nuestra biblioteca de recursos junto con sugerencias útiles, videos y preguntas frecuentes en <https://support.suncast.com>.

Puede llamar al Centro de atención directamente al: 1 (800) 846-2345 o escribir a Suncast Corporation, Customer Care Center, 701 N. Kirk Road, Batavia, IL 60510 (EE.UU.)





Antes de comenzar...

- **Consulte a las autoridades locales para determinar qué permisos son necesarios para construir el cobertizo.**

Antes de iniciar la construcción del cobertizo, consulte al funcionario local encargado de los códigos de construcción para conocer los permisos necesarios o las limitaciones en la construcción..

- **Antes de iniciar la construcción del cobertizo, es necesario tener una cimentación sólida y nivelada.**

En las páginas 10 y 11 encontrará información para la preparación del sitio. Una cimentación diferente de las sugeridas en este manual podría impedir el armado correcto y dañar las piezas.

- **Antes de comenzar con el armado, lea todas las instrucciones.**

Este kit contiene piezas que pueden dañarse si se arman incorrectamente o en la secuencia equivocada.

- **Siga las instrucciones.**

Suncast no es responsable del reemplazo de las piezas dañadas o perdidas debido al armado incorrecto.

- **Se requiere ayuda durante todo el armado.**



IMPORTANTE

COMPLETE LA PREPARACIÓN DEL SITIO Y LA CONSTRUCCIÓN DE LA CIMENTACIÓN ANTES DE DESEMPACAR LAS PIEZAS.

ABRA TODAS LAS CAJAS PRIMERO Y EXTIENDA LAS PIEZAS EN FORMA ORDENADA. PUEDEN HABER PIEZAS PEQUEÑAS EN CADA CAJA. CONSULTE LA LISTA DE PIEZAS INCLUIDA EN ESTE MANUAL PARA VERIFICAR QUE TODAS LAS PIEZAS ESTÉN PRESENTES.



PRECAUCIÓN

- Se requiere preparar adecuadamente el lugar de la instalación.
- El cobertizo no se diseñó para su uso en condiciones climáticas extremas.
- El cobertizo no se diseñó para almacenar productos químicos cáusticos o inflamables.
- Guarde los artículos pesados cerca de la parte inferior del cobertizo.
- El cobertizo no se diseñó para que lo usen los niños.
- **No** se ponga de pie, no se siente, ni almacene artículos sobre el techo del cobertizo.
- Tenga cuidado cuando use el cobertizo en condiciones extremas de temperatura.
- Repare o reemplace inmediatamente cualquier pieza rota.
- Suncast no se hace responsable por daños causados por condiciones meteorológicas o mal uso del cobertizo.
- Inspeccione el cobertizo regularmente para verificar que no haya piezas que se estén desarmando.
- Verifique periódicamente que la ubicación seleccionada para colocar el cobertizo continúe estando nivelada.
- Este kit contiene piezas con bordes metálicos. Tenga cuidado al manipularlas.



Seguridad y cuidado del cobertizo

- No deben guardarse artículos calientes, como parrillas recientemente usadas, sopletes, etc. en el cobertizo.
- No deben apoyarse artículos pesados contra las paredes; esto puede causar deformación de los paneles y daños permanentes.
- Mantenga el techo sin nieve y hojas de árboles.
- Las secciones de las paredes y el techo del cobertizo tienen un exterior texturizado muy parecido a los paneles de vinilo de las casas. Con el tiempo, puede acumularse polvo en la superficie texturizada. Al combinarse con la humedad, esto puede favorecer el crecimiento de moho o musgo en el cobertizo. Para mantener la buena apariencia del cobertizo, recomendamos limpiarlo una vez al año con jabón suave y agua. No use lejía, amoníaco ni otros limpiadores cáusticos y no use cepillos con cerdas duras. Si no se realiza la limpieza anual, el plástico puede mancharse permanentemente. Este no es un defecto de fabricación y no está cubierto por la garantía.



Sugerencias para el armado

- Complete la preparación del sitio y la construcción de la cimentación antes de desempacar las piezas y comenzar el armado.
- No intente trabajar en el armado en un día con fuertes vientos.
- No trate de trabajar en el armado en días con temperaturas por debajo de 0 °C (32 °F).
- Prevea la cantidad de tiempo necesario para armar el cobertizo en su totalidad.
- Asegúrese de contar con ayuda para levantar los componentes y ajustarlos en su lugar.
- Use guantes para trabajo liviano cuando esté armando el cobertizo.
- Una vez que haya armado el techo, puede usar una linterna para armar los componentes más pequeños dentro del cobertizo.
- No use una llave de torsión ni un destornillador manual para apretar los pernos Easy Bolt provistos. Utilice la herramienta Easy Driver 010210410 para los pernos Easy Bolt SOLAMENTE.
- Para más comodidad, Suncast proporciona tornillería adicional para sujetadores pequeños. En algunos casos, quedarán sujetadores pequeños adicionales después de haber terminado el armado.

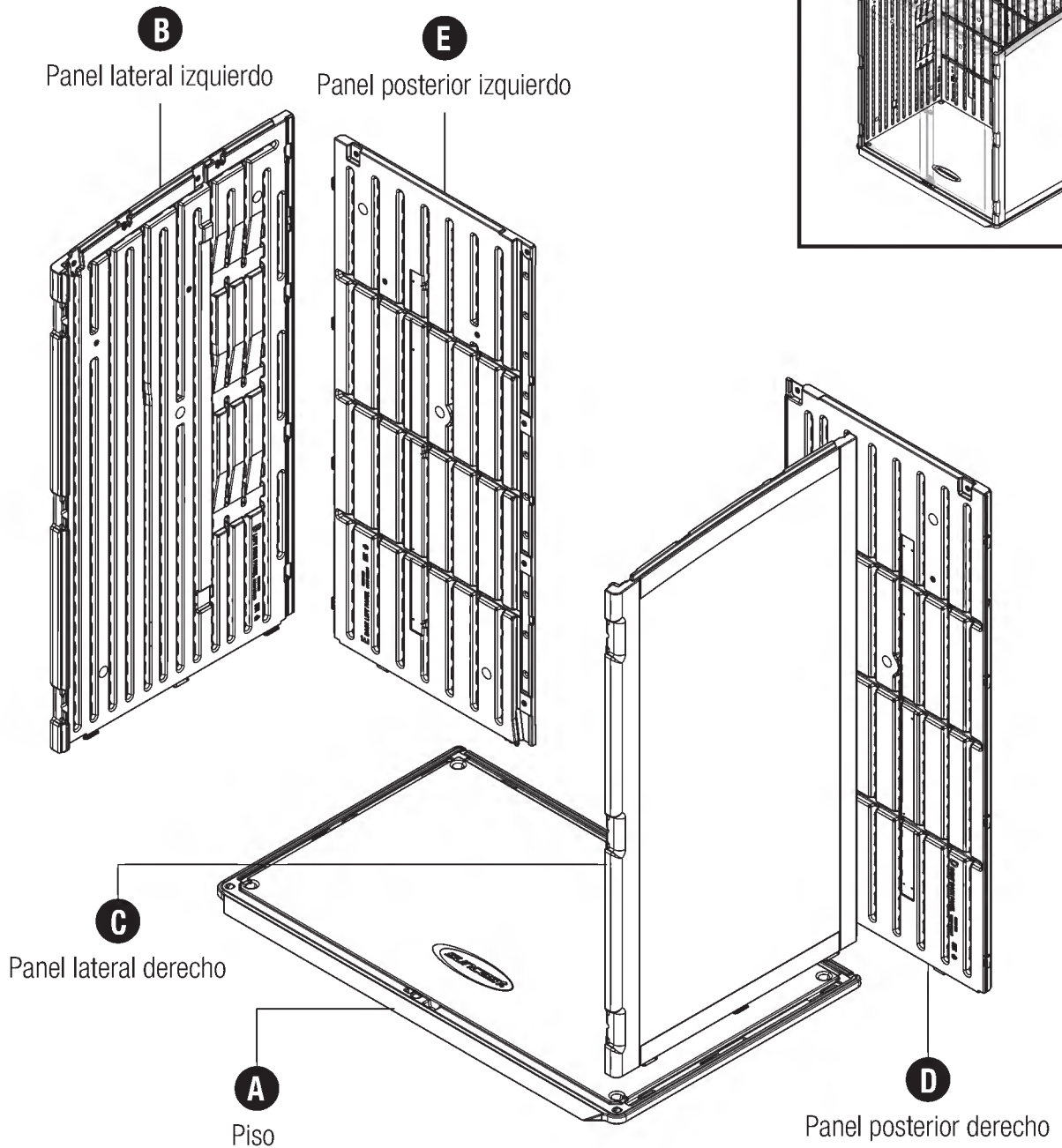
Nota: este producto contiene piezas que se usan en diferentes orientaciones para armar el cobertizo. Verifique la orientación de las piezas ilustradas en todo el manual de instrucciones. Si no sigue correctamente las instrucciones, puede dañar las piezas. Suncast no es responsable del reemplazo de las piezas dañadas o perdidas debido al armado incorrecto.

IMPORTANTE

ABRA TODAS LAS CAJAS PRIMERO Y EXTIENDA LAS PIEZAS EN FORMA ORDENADA. PUEDEN HABER PIEZAS PEQUEÑAS EN CADA CAJA. CONSULTE LA LISTA DE PIEZAS INCLUIDA EN ESTE MANUAL PARA VERIFICAR QUE TODAS LAS PIEZAS ESTÉN PRESENTES.

COMPLETE LA PREPARACIÓN DEL SITIO Y LA CONSTRUCCIÓN DE LA CIMENTACIÓN ANTES DE DESEMPACAR LAS PIEZAS.

Piezas - Pared y piso

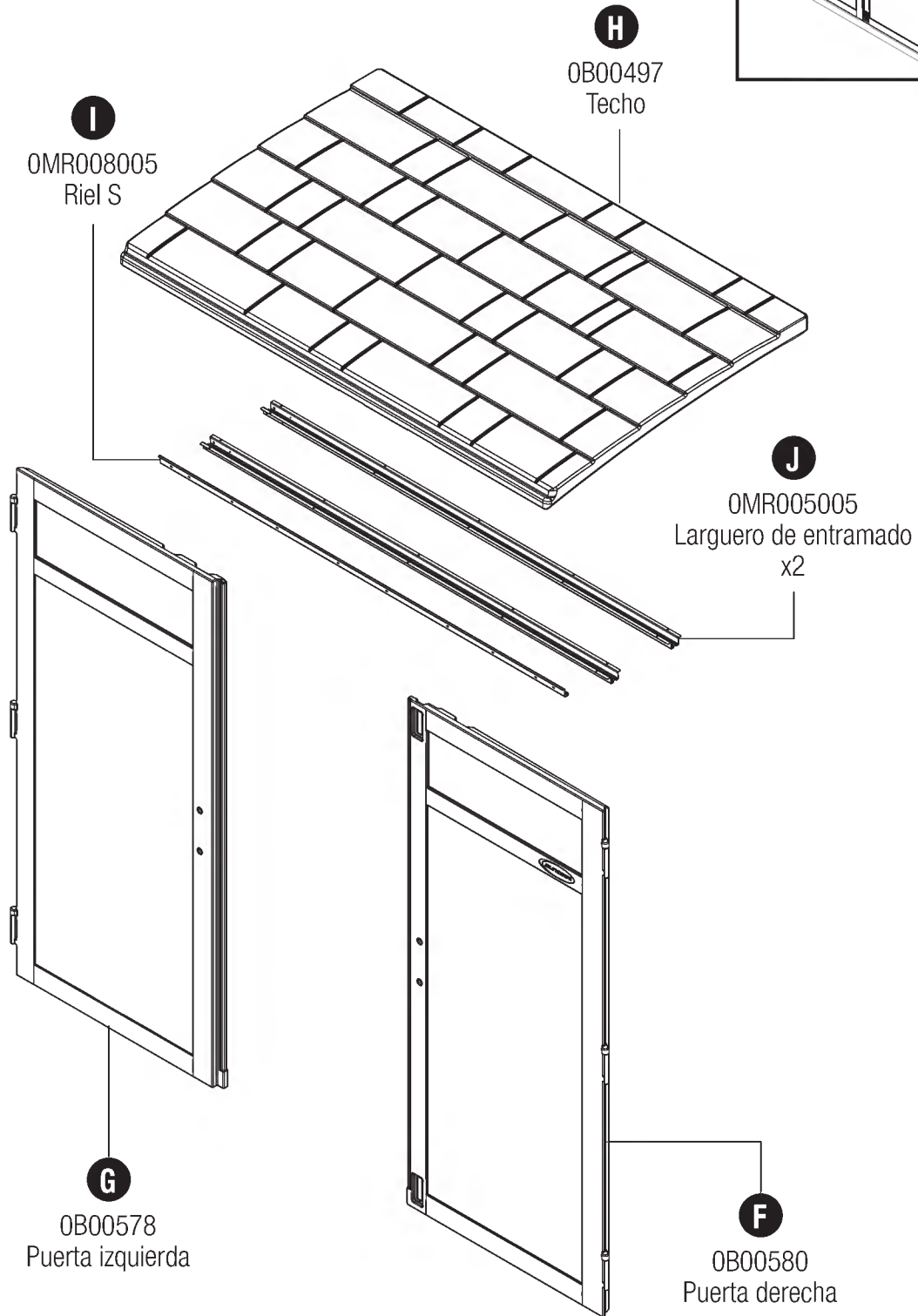
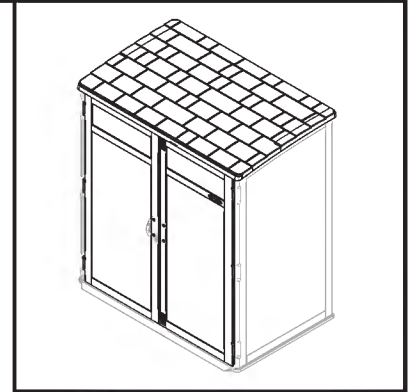


Piezas - Techo y puertas

IMPORTANTE

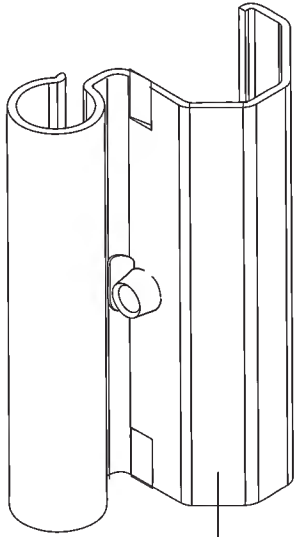
ABRA TODAS LAS CAJAS PRIMERO Y EXTIENDA LAS PIEZAS EN FORMA ORDENADA. PUEDEN HABER PIEZAS PEQUEÑAS EN CADA CAJA. CONSULTE LA LISTA DE PIEZAS INCLUIDA EN ESTE MANUAL PARA VERIFICAR QUE TODAS LAS PIEZAS ESTÉN PRESENTES.

COMPLETE LA PREPARACIÓN DEL SITIO Y LA CONSTRUCCIÓN DE LA CIMENTACIÓN ANTES DE DESEMPACAR LAS PIEZAS.



Piezas - Elementos de conexión

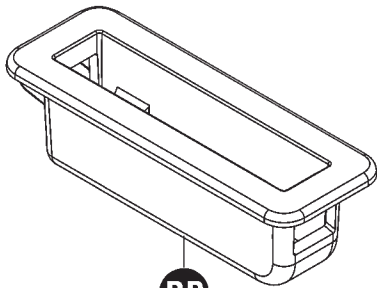
Bolsa de componentes



AA

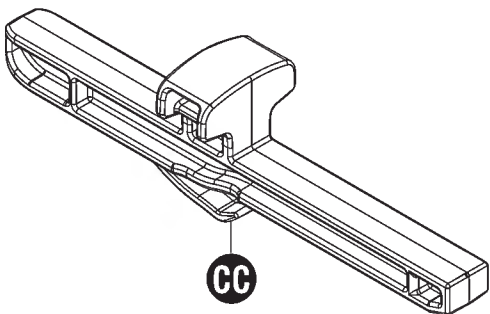
OMP00022
Bisagra de puerta
x6

0463903 – Bolsa de componentes



BB

0101222
Soporte del sujetador de la puerta

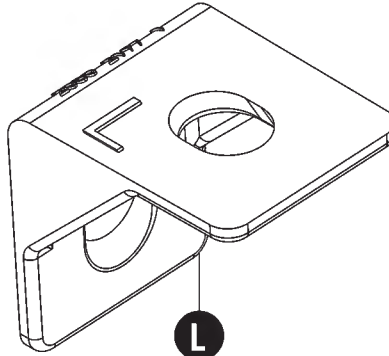


CC

0101221
Pestillo de la puerta

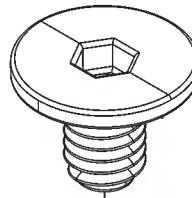
Se proporcionan elementos adicionales.
No todo se usa.

Bolsa de componentes



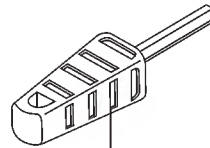
L

Soporte de techo
x7



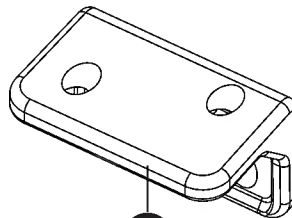
EE

Perno de fácil inserción
x21



FF

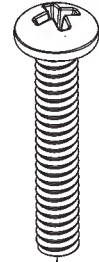
Herramienta para perno
de fácil inserción



II

0102721
Door clip bracket
x2

0480464 – Bolsa de componentes



GG

0631017
0,6 cm x 3,75 cm
Tornillo
x7

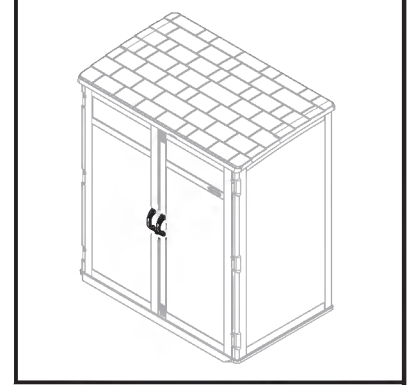
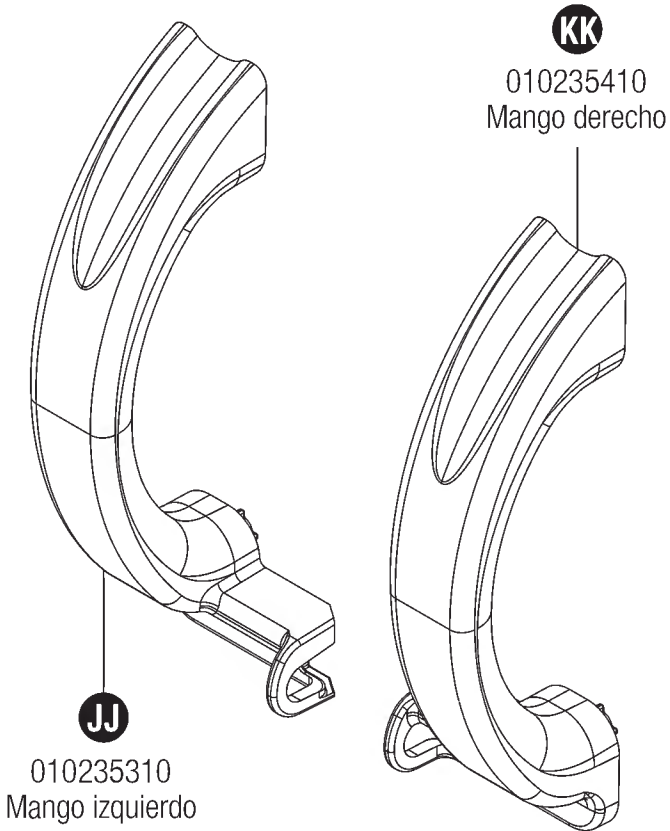


HH

0630821
Tornillo de cabeza
segmentada 1,6 cm
x38

Piezas - Piezas de kit de mangos de puerta

0464115 – Kit de mango de puerta

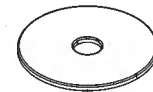


0480463 – Componentes para el mango de la puerta

LL
0632130
#10 x 4,5 cm
Tornillo de cabeza alomada
x4



MM
0631284
#10 x 2,5 cm
Arandela protectora
x4



Accesorios de cobertizo

NOTA: Su cobertizo puede incluir accesorios de almacenamiento opcionales.
Visite: www.suncast.com para más detalles

Preparación del sitio y construcción de la plataforma

Materiales NO incluidos con el kit de cobertizo

Nota: Se requiere preparación del sitio para este cobertizo. Se requiere colocar el cobertizo sobre una base construida. Sin una base construida, probablemente ocurrirá un asentamiento, causando distorsión y daños en el cobertizo. El fabricante no es responsable de reemplazar las piezas dañadas o las propiedades perdidas debido a un ensamblaje incorrecto. La garantía requiere una base.

Nota: Complete la preparación del sitio y la construcción de la base antes de desempaquetar las piezas y comenzar el ensamblaje.

Para preparar el sitio de cobertizo, siga los pasos a continuación:

- 1 Consulte a las autoridades locales sobre los códigos y los convenios de construcción antes de comenzar la base o erigir el cobertizo.
- 2 Antes de excavar, verifique con los servicios públicos locales para determinar la ubicación de cables enterrados, tuberías, etc.
- 3 Decida qué tipo de base desea:
 - Losa de hormigón, 10,2 cm de espesor



- Plataforma de madera

Use madera de grado exterior. La plataforma de madera debe colocarse en ladrillos o de pie. Consulte a su distribuidor local para obtener ayuda en la determinación del mejor método de anclaje para su instalación en particular. Los planos proporcionados están dimensionados para la cantidad mínima de cortes en madera y madera contrachapada.

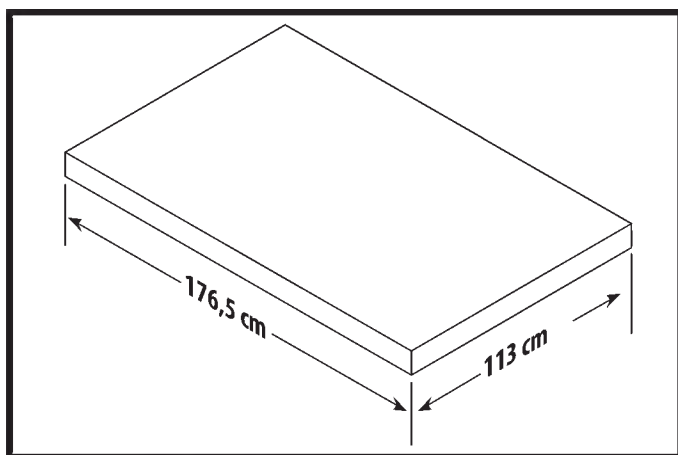
4 Prepare el sitio de construcción:

- El suelo debe inclinarse fuera del área de la base para proporcionar drenaje.
- La superficie de la base debe ser plana y nivelada.
- Se debe proporcionar una barrera de vapor para evitar la condensación excesiva en el cobertizo.
- Siga los códigos de construcción locales para una barrera de vapor adecuada.

5 Anclaje del cobertizo a la base:

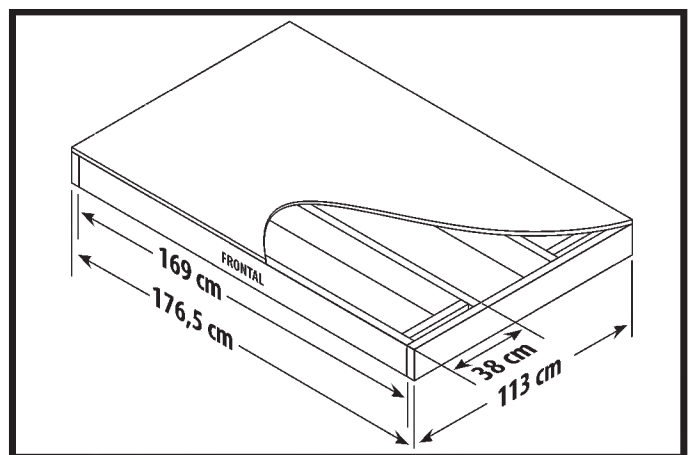
- Consulte al distribuidor local para determinar el mejor método de anclaje para su instalación en particular.
- Para asegurar el cobertizo a una losa de hormigón, cuatro (4) pernos de anclaje de 9,5 mm y cuatro (4) arandelas planas de 9,5 mm x 25,4 mm
- Para asegurar el cobertizo a una plataforma de madera, use tornillos tirafondo de 9,5 mm y arandelas planas de 9,5 mm x 25,4 mm.

Anclaje del panel de piso a la losa de hormigón



- Asegure el cobertizo a la losa de hormigón usando sujetadores de mampostería.
- Las dimensiones permiten que el cobertizo quepa con 2,5 cm de precisión a cada lado.

Anclaje del panel de piso a la plataforma de madera

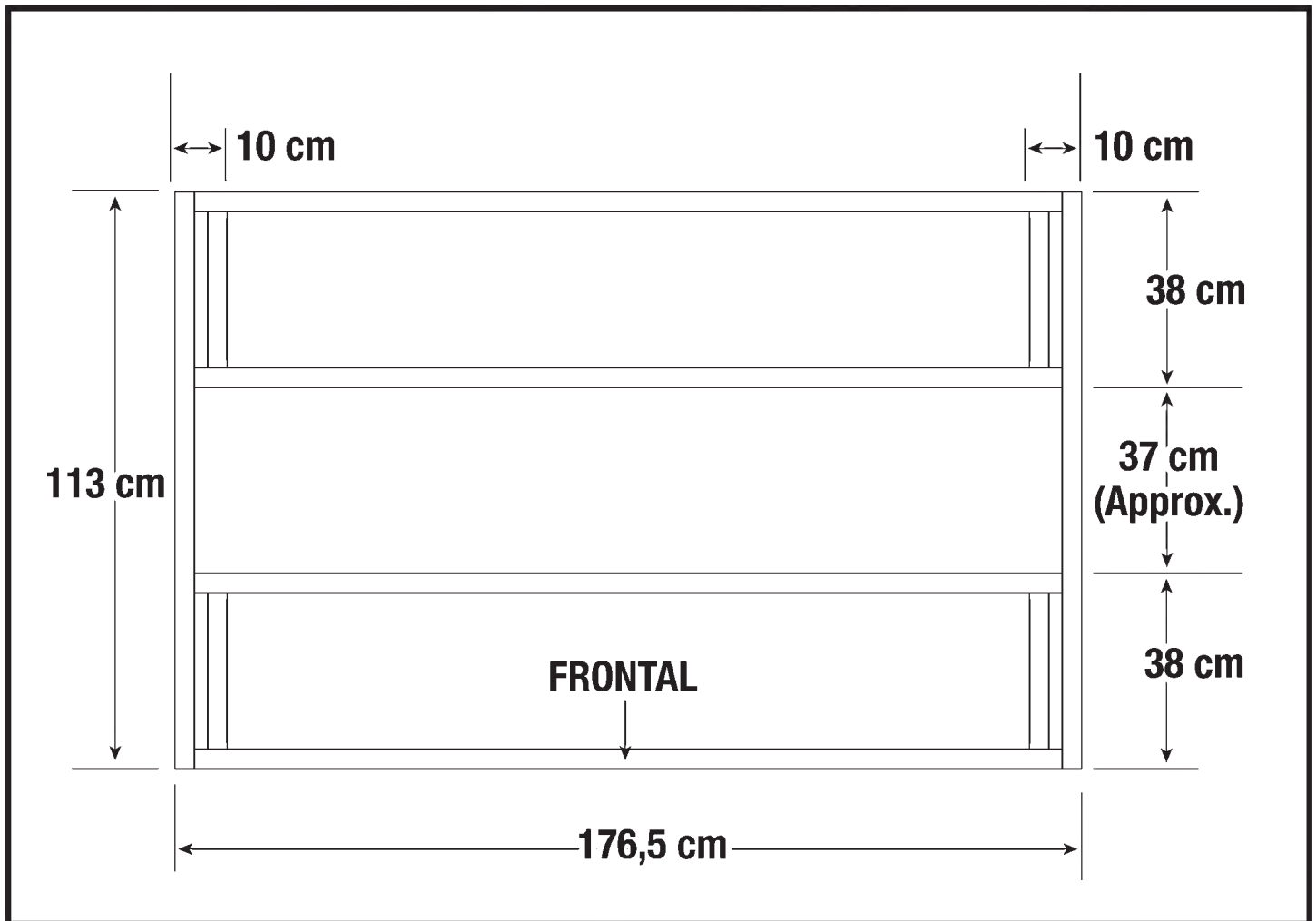


- Asegure el cobertizo a la plataforma de madera con tornillos tirafondo de 0,6 cm x 7,6 cm.

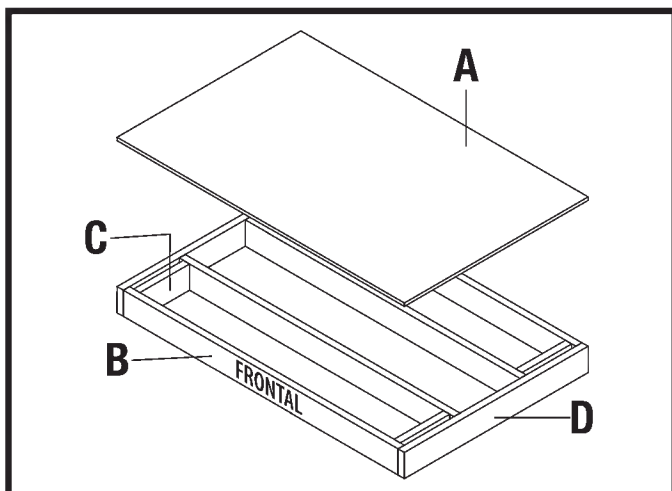
Preparación del sitio y construcción de la plataforma

Materiales NO incluidos con el kit de cobertizo

Espaciado crítico de la plataforma de madera



- Verifique las medidas de espaciado crítico.

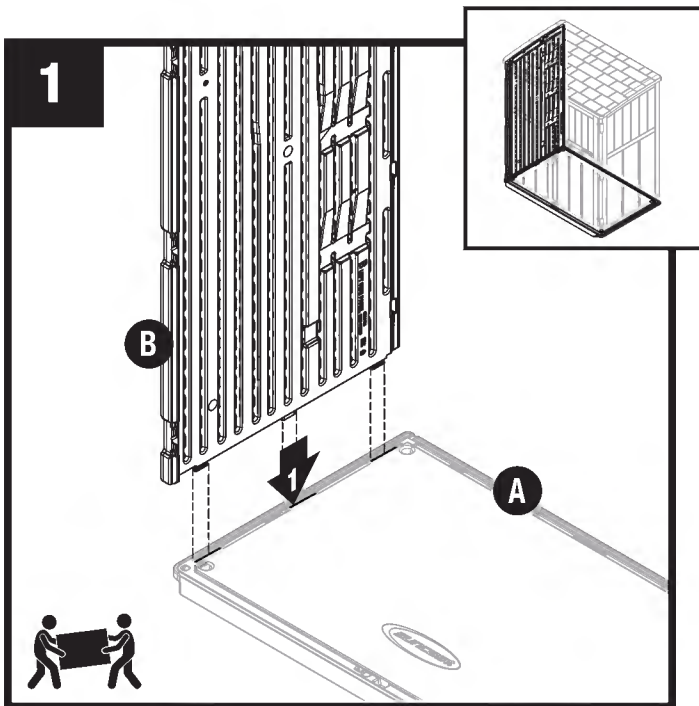


Lista de materiales de la plataforma de madera

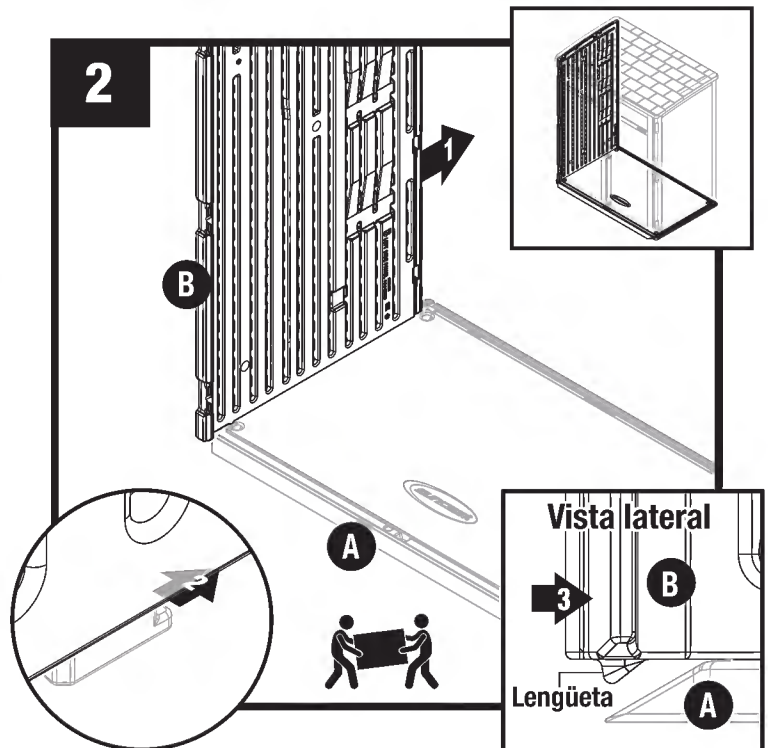
Item	Qty	Size
A	1	113 cm x 177 cm x 2 cm
B	4	5 cm x 15,25 cm x 169 cm
C	4	5 cm x 15,25 cm x 30,5 cm
D	2	5 cm x 15,25 cm x 133 cm

Nota: la madera dimensional es en realidad 1,27 cm más pequeña que los tamaños indicados.

Ensamblaje: paredes

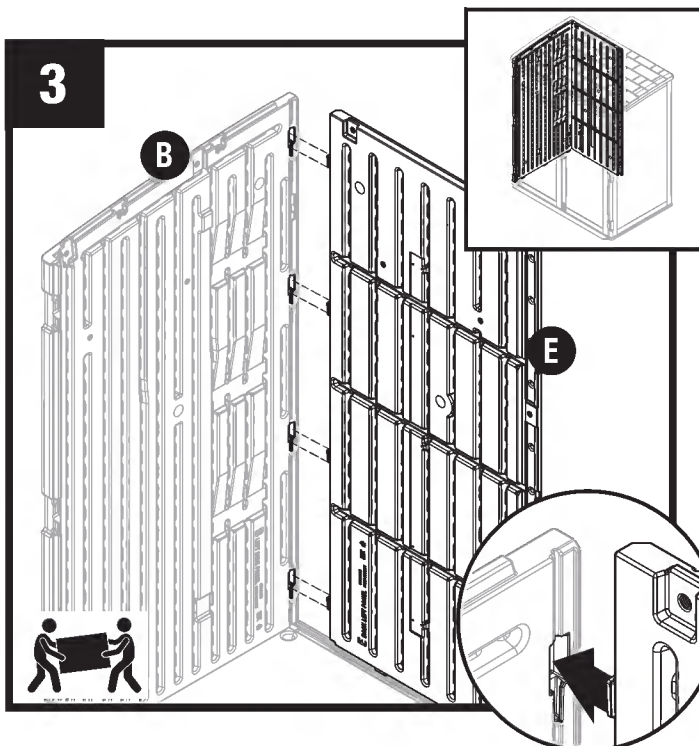


Alinee las pestañas en el panel lateral inferior izquierdo (B) con las ranuras en el piso (A). Baje el panel en las ranuras.

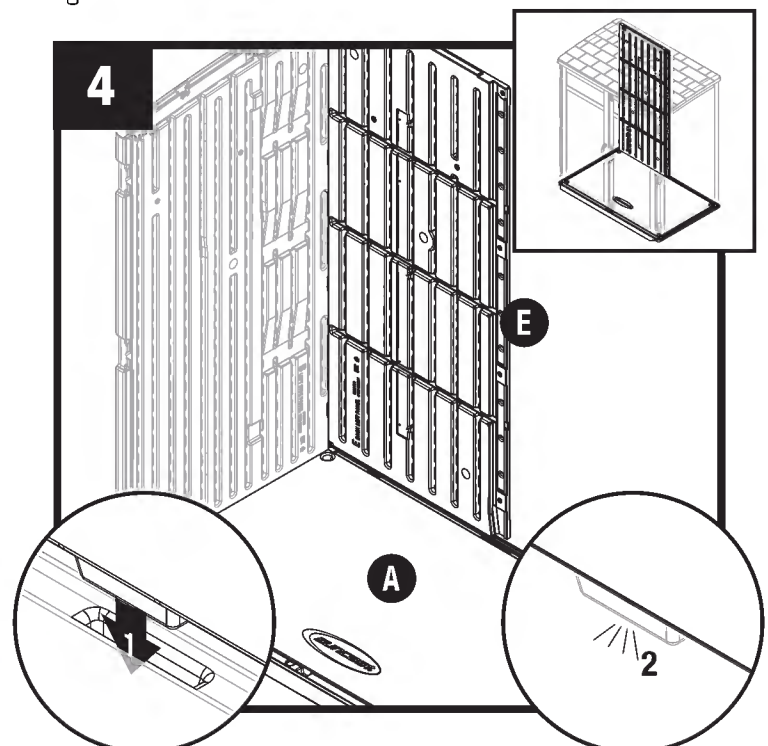


Bloquee el panel lateral (B) deslizando el panel hacia la parte posterior del panel del piso (la pestaña de la esquina frontal se deslizará hasta su posición).

Nota: Use un mazo de goma para "empujar" el panel lateral izquierdo (B) a la posición de bloqueo.

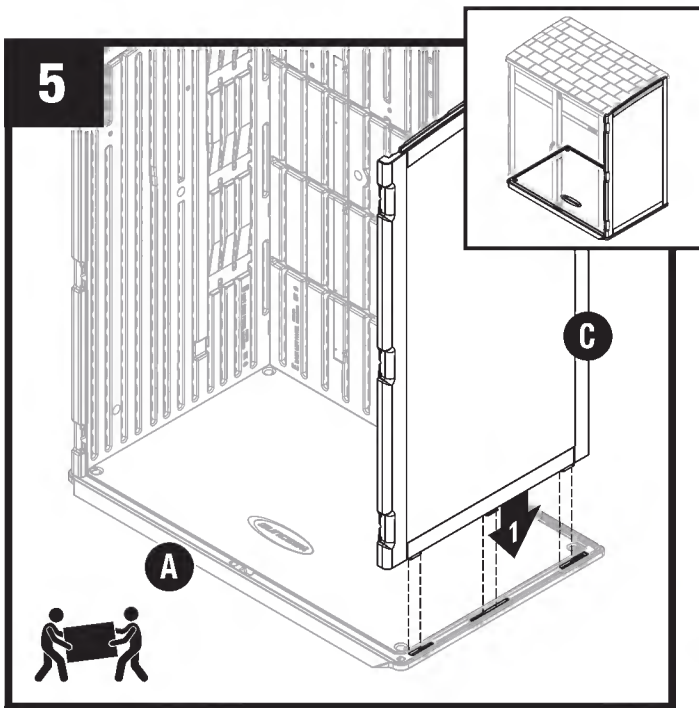


Alinee las pestañas del lado del panel posterior izquierdo (E) con las ranuras del panel lateral izquierdo (B). Deslice hacia atrás el panel izquierdo hacia el panel lateral izquierdo.

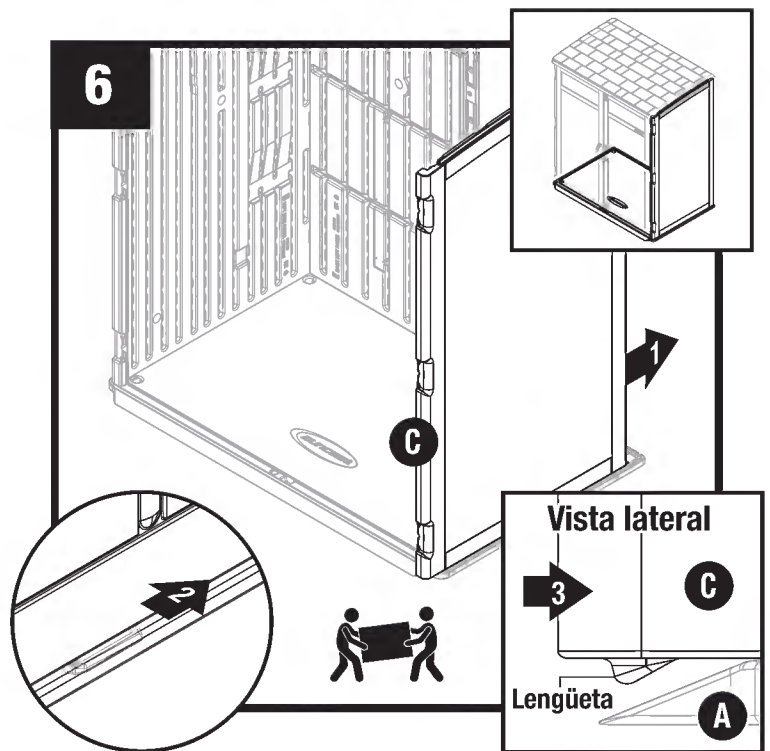


Baje las pestañas del panel posterior izquierdo (E) hacia las ranuras del piso (A). Las pestañas del panel posterior izquierdo se "ajustarán" en su lugar cuando estén en la posición correcta.

Ensamblaje: paredes (continuación)

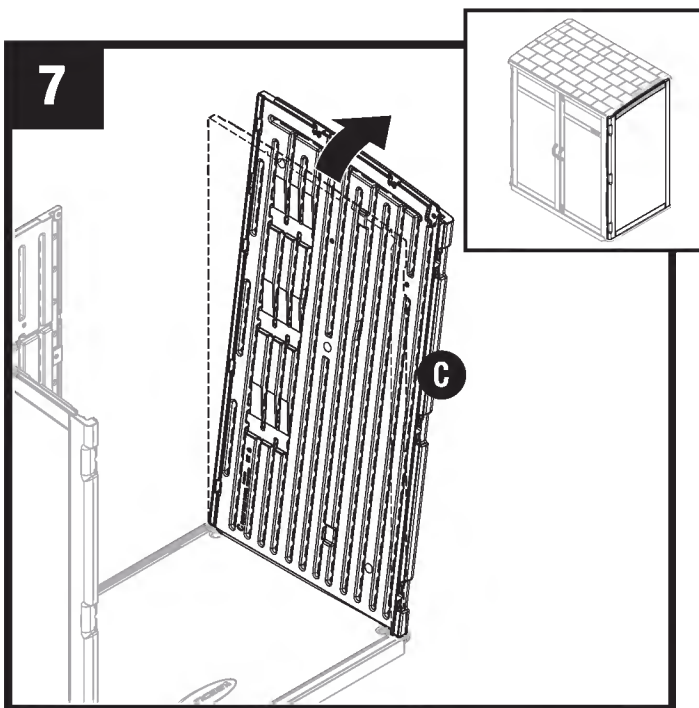


Alinee las pestañas en el panel lateral inferior derecho (C) con las ranuras en el piso (A). Baje el panel en las ranuras.

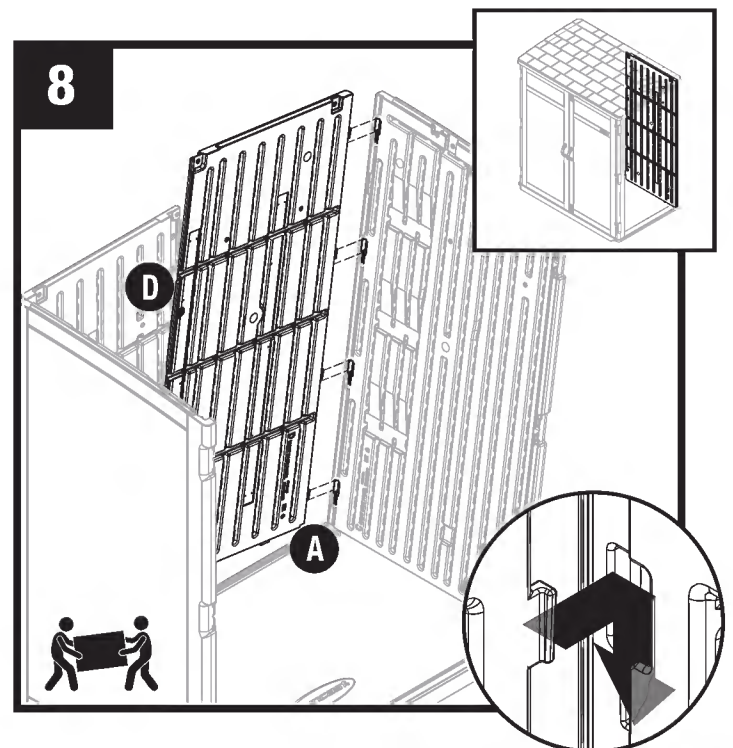


Bloquee el panel lateral (C) deslizando el panel hacia la parte posterior del panel del piso (la pestaña de la esquina frontal se deslizará sobre el piso hasta su posición).

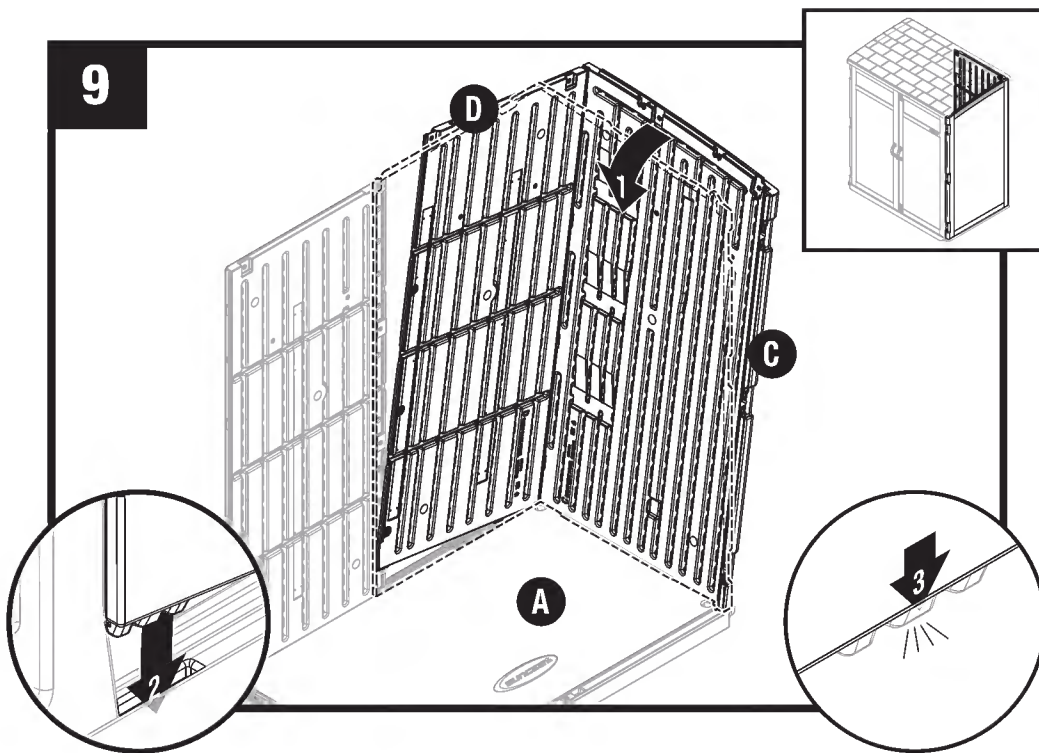
Nota: Use un mazo de goma para 'empujar' el panel lateral derecho (C) a la posición de bloqueo.



Incline el panel derecho (C) hacia afuera.

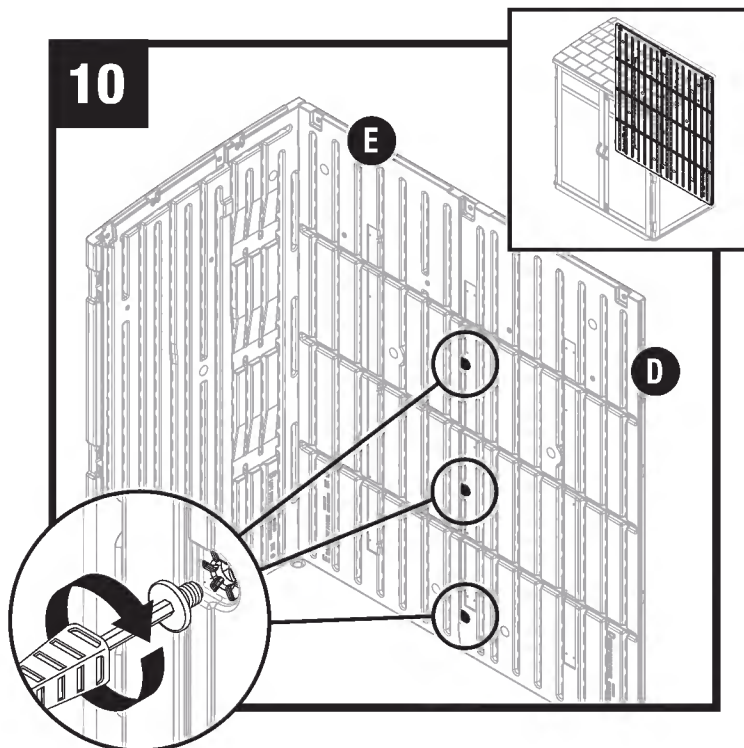


En ángulo, alinee las pestañas del lado del panel posterior derecho (D) con las ranuras del panel lateral derecho (C). Retraiga el panel posterior derecho hacia adentro y hacia abajo en el panel lateral derecho para asegurarlo.



Incline el panel posterior derecho (D) y el panel lateral derecho (C) de nuevo a la posición vertical (bajando las pestañas del panel posterior derecho en las ranuras del piso (A)). Las pestañas del panel posterior derecho se "ajustarán" en su lugar cuando estén en la posición correcta.

Nota: El panel lateral izquierdo no se muestra para mayor claridad.

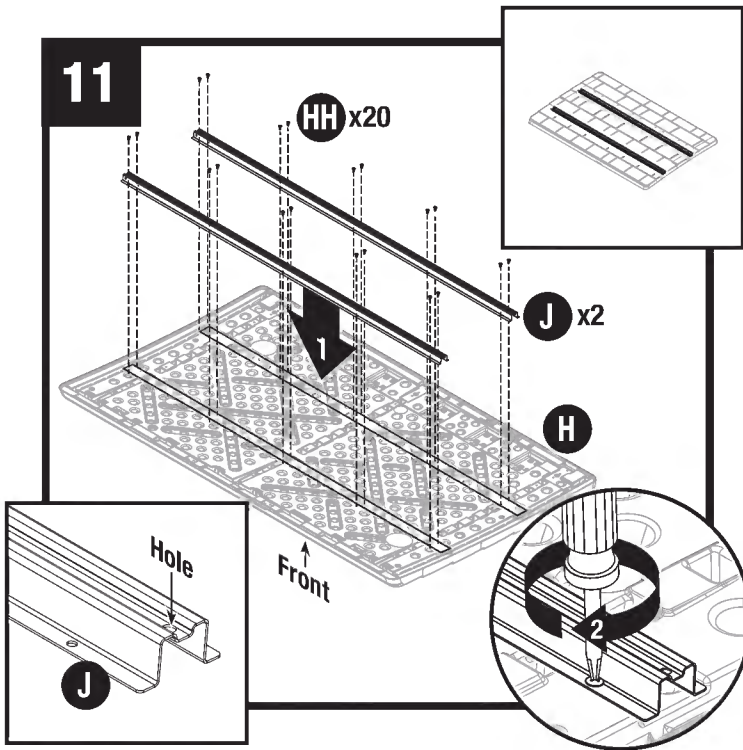


Asegure los paneles posteriores (E, D) juntos usando tres pernos de fácil inserción (EE) de abajo hacia arriba. **No** utilice una llave dinamométrica. Use la herramienta de fácil uso para perno de fácil inserción (FF) para apretarlo a mano. La cabeza del perno de fácil inserción estará enrasada cuando esté completamente asentada. **No** apriete demasiado los pernos de fácil inserción.

Nota: La ubicación del perno de fácil inserción superior se instalará en un paso posterior.

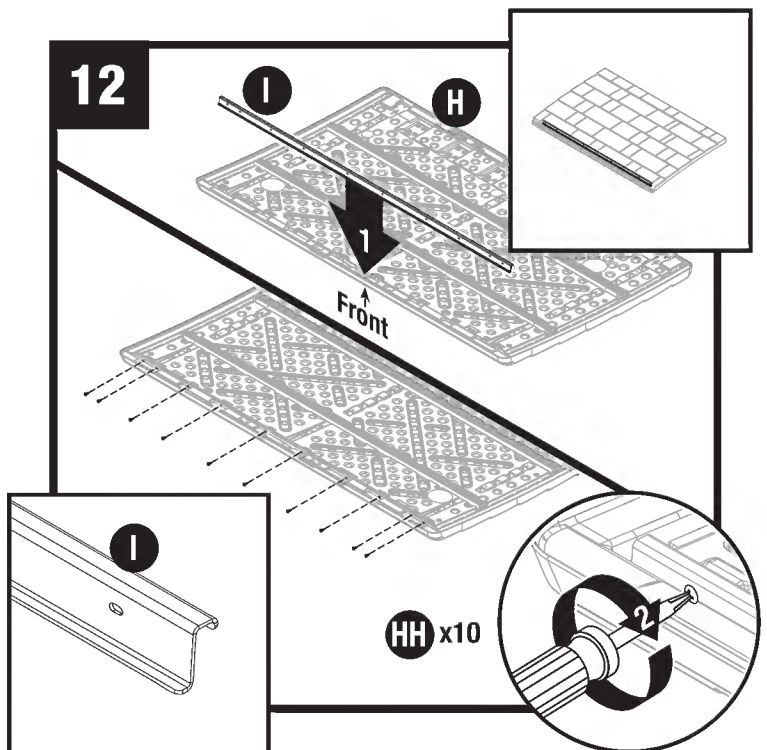
Nota: El panel lateral derecho no se muestra para mayor claridad. Es posible que escuche un "clic" cuando el perno de fácil inserción se ajuste completamente.

Ensamblaje: techo



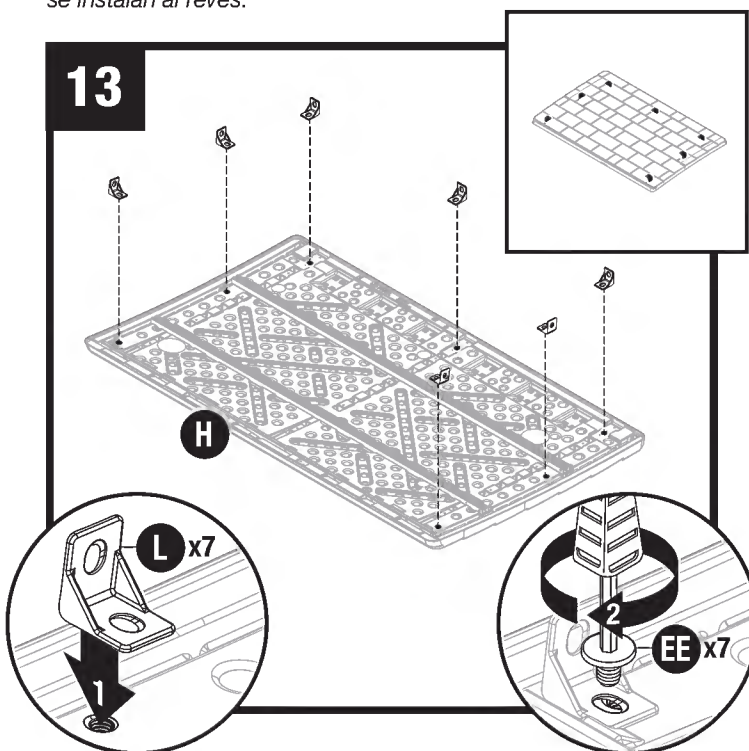
Coloque el techo sobre una superficie plana y baje cada soporte de apoyo (J) a los canales en la parte inferior del panel del techo (H). Para la orientación correcta, el orificio superior del soporte de apoyo (J) debe quedar en el lado derecho. Alinee los orificios en los largueros de entramado con los receptáculos del panel del techo. Fije el soporte con diez tornillos (HH) para cada uno.

Nota: Los soportes de apoyo deben instalarse con la orientación mostrada arriba. El techo no encajará si los soportes se instalan al revés.

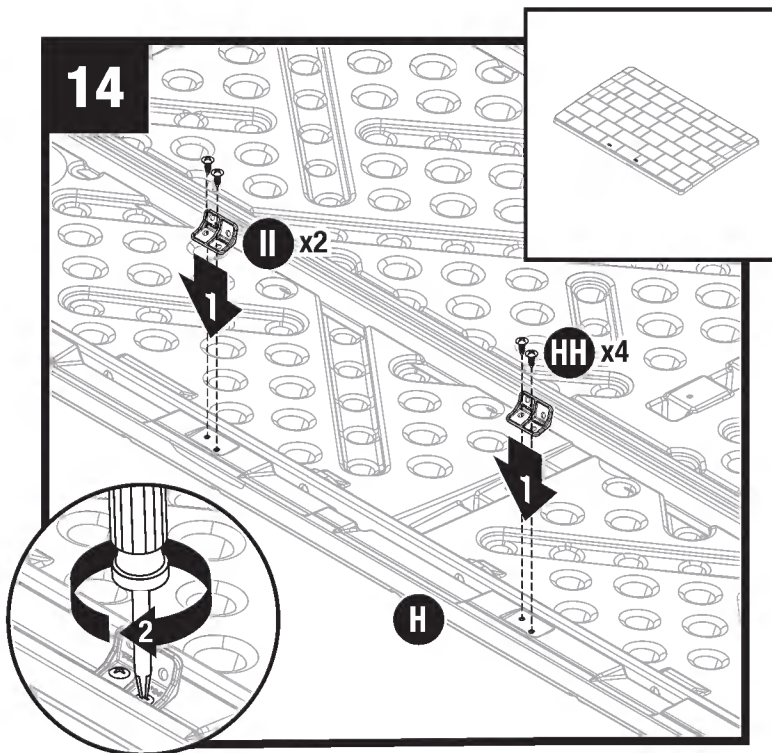


Baje el soporte en S (I) hasta la posición en el techo (H). Fije con diez tornillos (HH). La orientación correcta del soporte en S (I) se muestra arriba.

Nota: No hay agujeros previamente perforados en el techo. Al comienzo, atornille con fuerza los tornillos autorroscantes. Una vez que el tornillo perfora el plástico se atornillará más fácilmente.

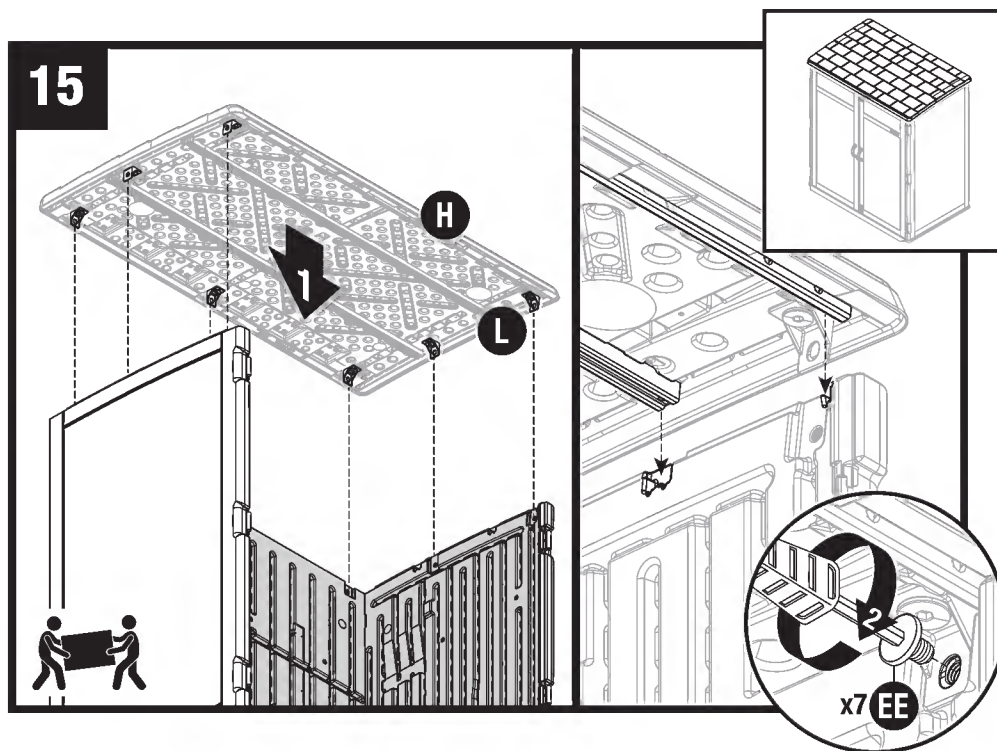


Baje el soporte del techo (L) hasta su posición en el techo. Asegure el soporte con un perno de fácil inserción. **No** utilice una llave dinamométrica. Use la herramienta de fácil uso para perno de fácil inserción (FF) para apretarlo a mano. La cabeza del perno de fácil inserción estará enrasada cuando esté completamente asentada. **No** apriete demasiado los pernos de fácil inserción.



Fije los soportes del sujetador de la puerta (II) a la parte inferior del panel del techo (H) con dos tornillos (HH).

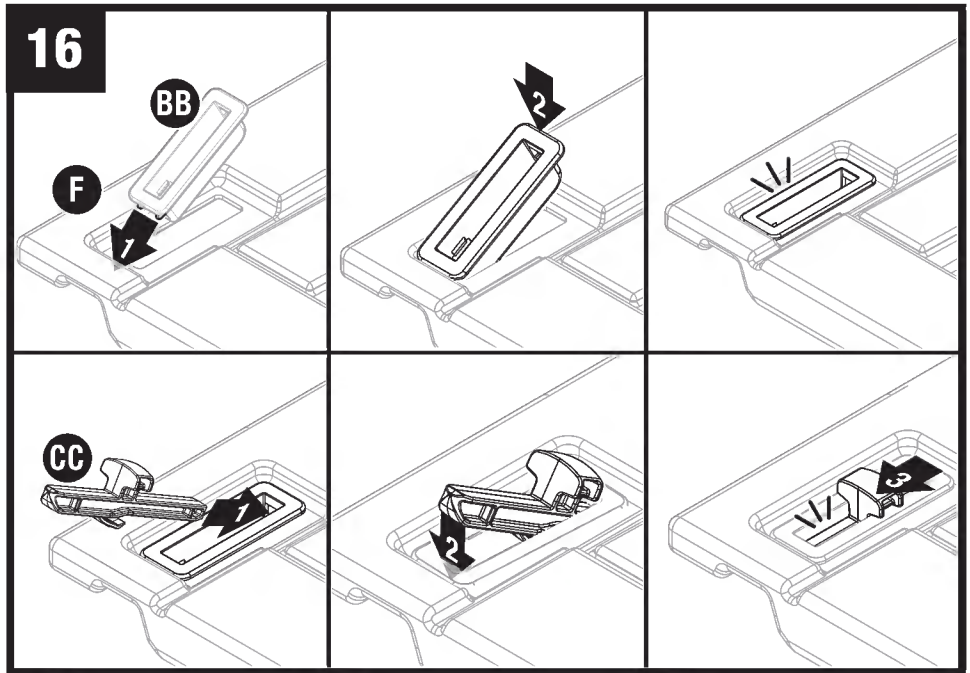
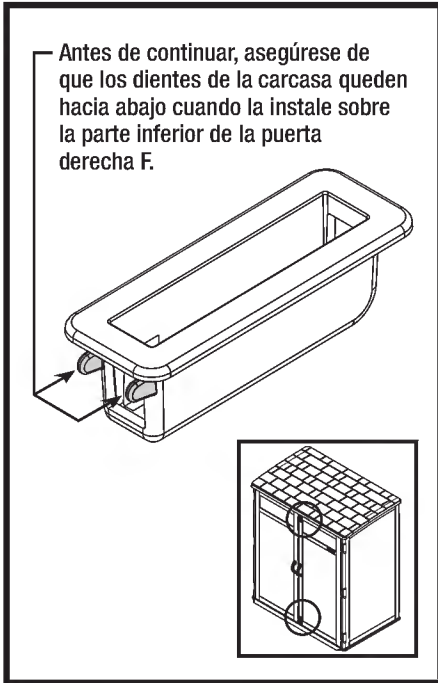
Nota: La parte vertical del soporte debe orientarse hacia el interior del cobertizo.



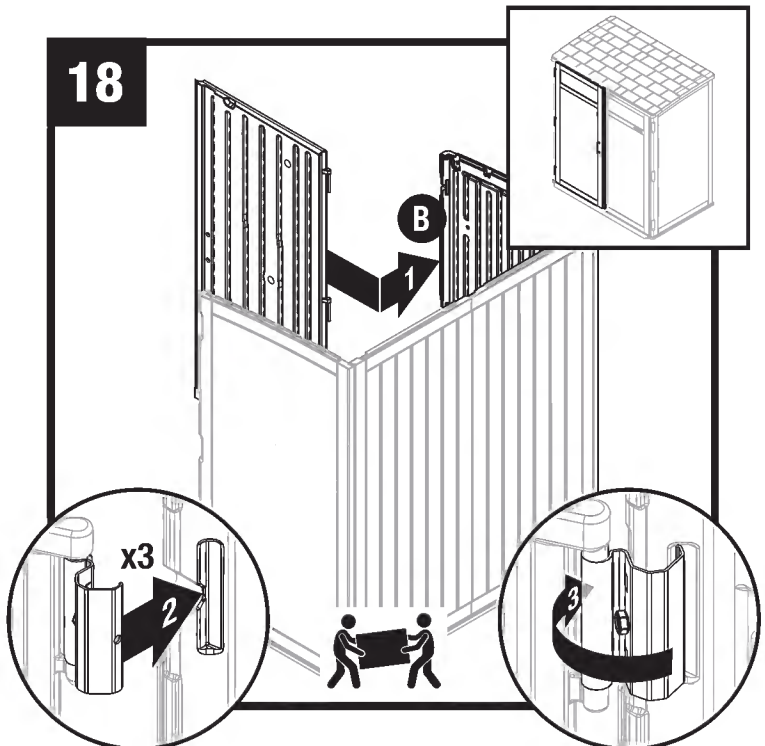
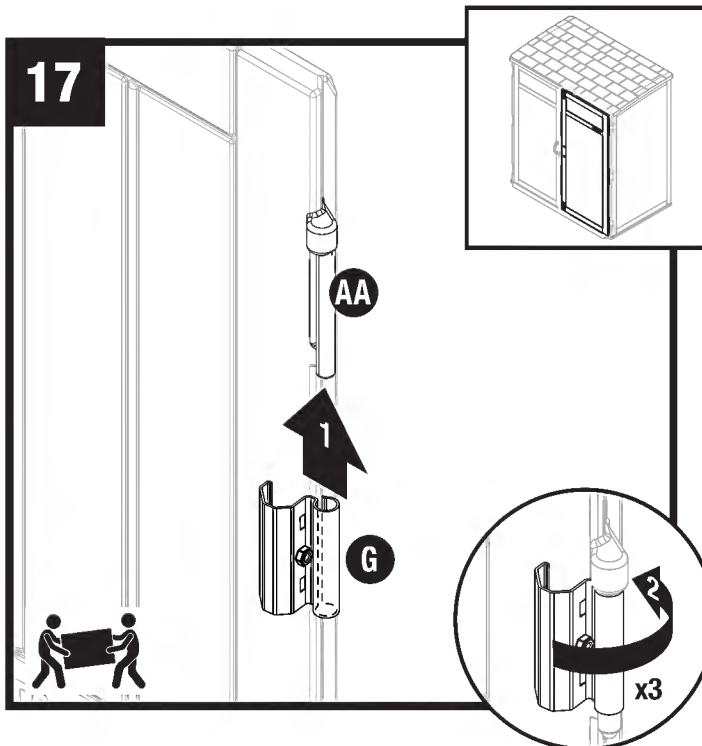
Baje el panel del techo (H) y alinee los soportes del techo (L) con los orificios en las paredes. Los largueros de entramado y el riel S premontados al techo caben en muescas en los paneles laterales (esto ayuda a alinear el techo correctamente). Asegure el soporte con siete pernos de fácil inserción (EE).

No utilice una llave dinamométrica. Use la herramienta de fácil uso para perno de fácil inserción (FF) para apretarlo a mano. La cabeza del perno de fácil inserción estará enrasada cuando esté completamente asentada. **No apriete** demasiado los pernos de fácil inserción.

Ensamblaje: puertas



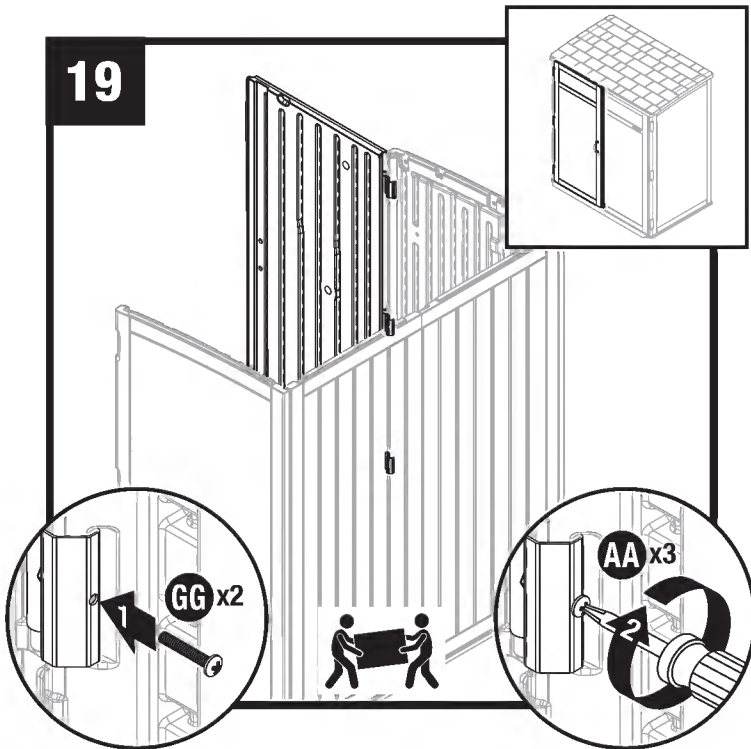
Inserte la carcasa del pestillo de la puerta (BB) en la puerta inferior derecha (F) y encájela en su lugar. Inserte el pestillo de la puerta (CC) en la carcasa del pestillo de la puerta. Empuje el pasador de cierre hacia abajo para que quede completamente asentado en la caja del pestillo. Empuje con fuerza hasta que escuche un “chasquido”. Deslice el pestillo hacia arriba y hacia abajo para confinarlo y deslizarlo correctamente. Repita el procedimiento para el pestillo superior de la puerta (cuando se repita en la parte superior de la puerta, la orientación se invertirá).



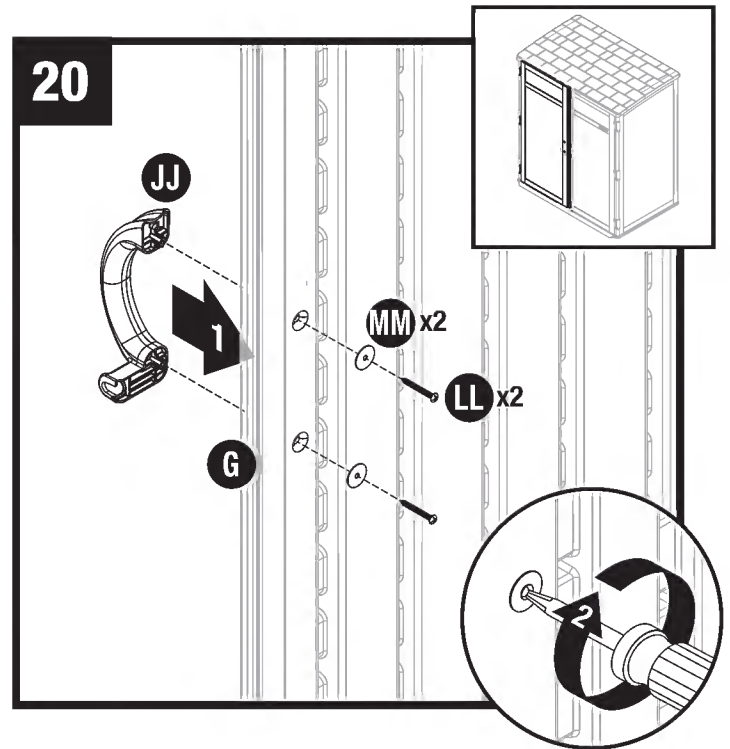
Coloque la puerta derecha (G) en posición vertical con los soportes de las bisagras hacia la derecha. Deslice una placa de bisagra metálica (AA) en cada soporte de la bisagra. Gire las placas de bisagra metálicas hasta la posición abierta.

Repita para la puerta izquierda (F).

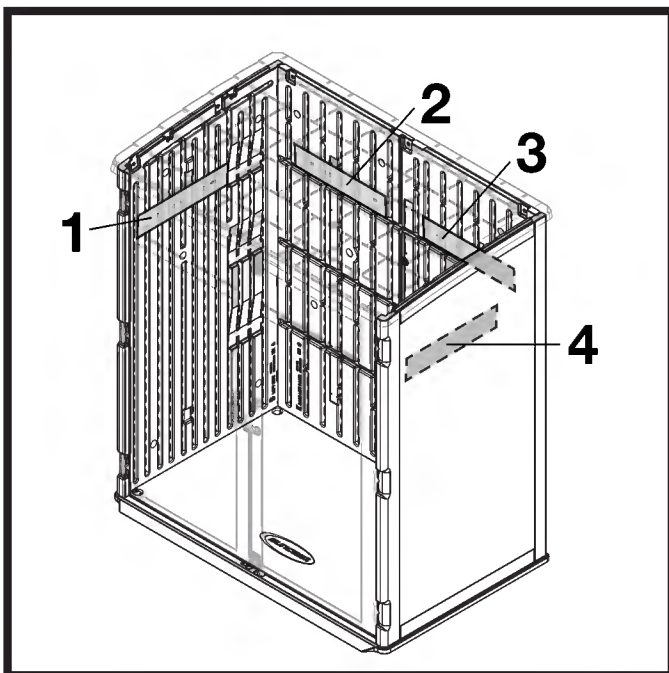
Deslice una placa de bisagra metálica sobre cada receptáculo de bisagra en el interior del panel lateral izquierdo (B).



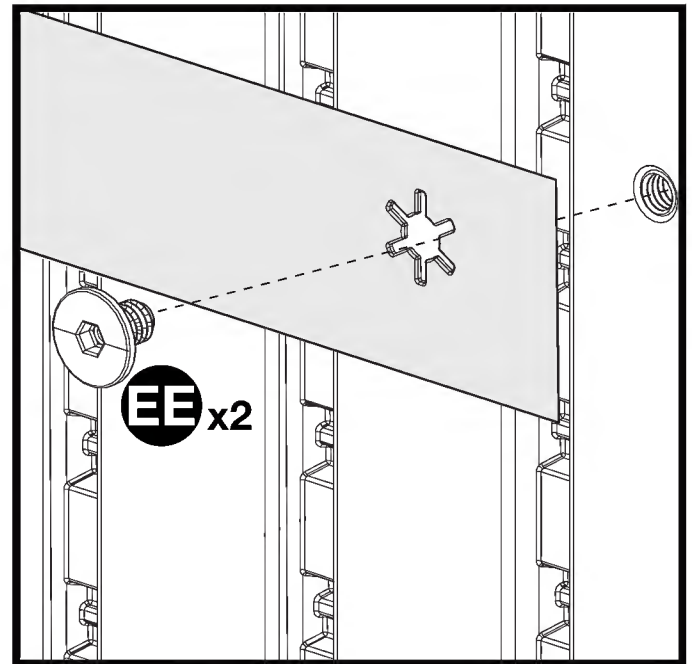
Asegure cada bisagra de la puerta (AA) con un tornillo (GG).
 Repita los pasos 17-19 para la puerta derecha (F).



Fije el mango izquierdo (JJ) a la puerta izquierda (G) utilizando arandelas (MM) y tornillos (LL). Repita para la puerta derecha (F) y el mango de la puerta derecha (KK).



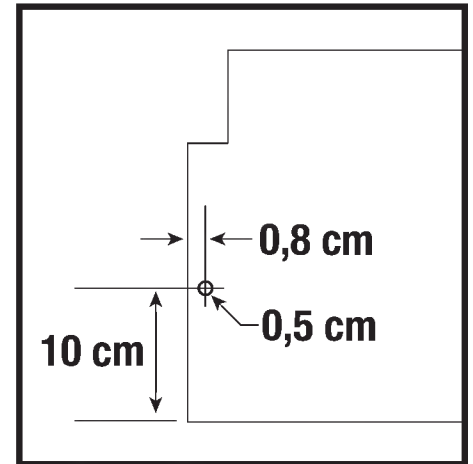
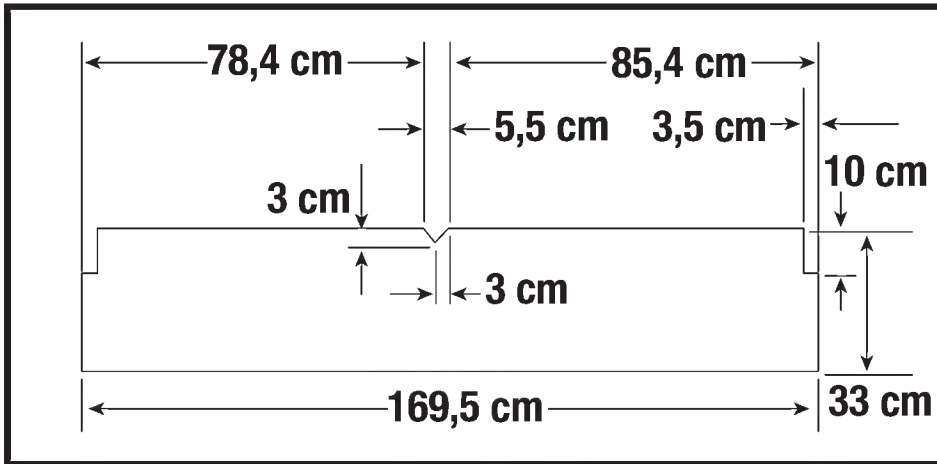
Coloque el accesorio (A) en uno de los paneles de pared. Hay cuatro ubicaciones opcionales.



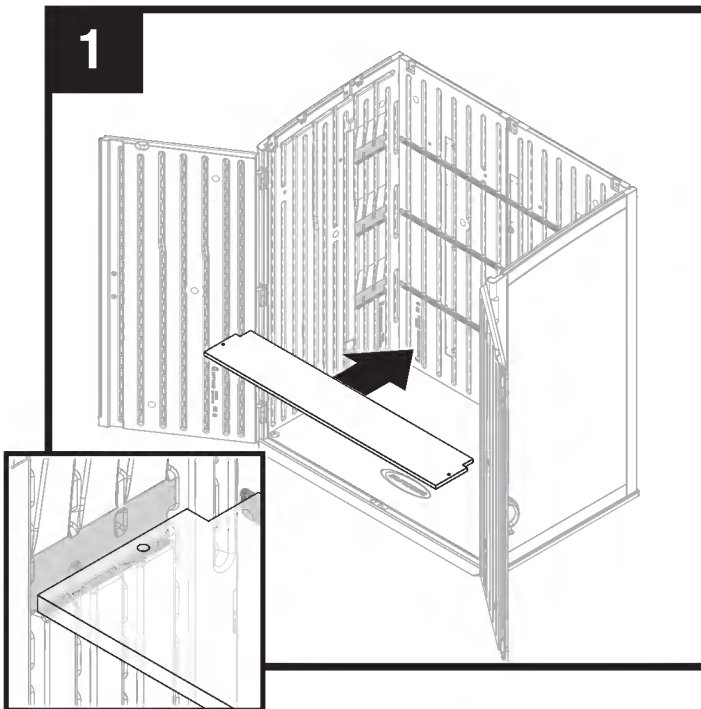
Alinee la ganchos (NN) con los orificios en las paredes del cobertizo que aceptan pernos fáciles. Consulte más arriba las ubicaciones según el tipo de cobertizo que tiene. Inserte el perno fácil (EE) a través del orificio en el gancho y use el destornillador del perno (FF) para colocar el perno en la pared.

- Límite máximo de peso 25 lbs. (11 kg) por panel.
- La cesta no está diseñada para el almacenamiento de productos químicos inflamables o cáusticos.
- La cesta no está diseñada para el almacenamiento de artículos frágiles.

Estante interior de madera opcional (materiales no incluidos)

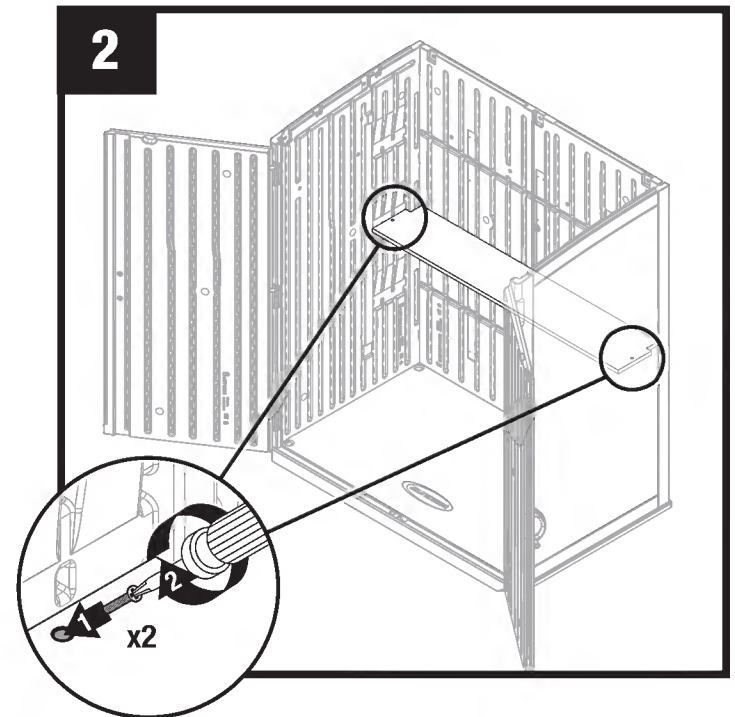


- Se pueden agregar tres estantes de madera opcionales a su cobertizo de almacenamiento.
- Corte los estantes de madera de 2 cm de espesor usando las dimensiones anteriores.
- Perfore un orificio piloto de 0,5 cm a cada lado del estante.



Coloque el estante en el cobertizo. El estante debe estar completamente asentado en soportes de estantes en los paneles laterales y posteriores.

Nota: El techo no se muestra para mayor claridad. Las áreas resaltadas indican huecos en los paneles laterales donde descansa el estante.



Para asegurar el estante, inserte un tornillo para panel de yeso # 8 x 3 cm (no proporcionado) a través de cada orificio piloto y en los paneles laterales.

