

BMS2000
Front View

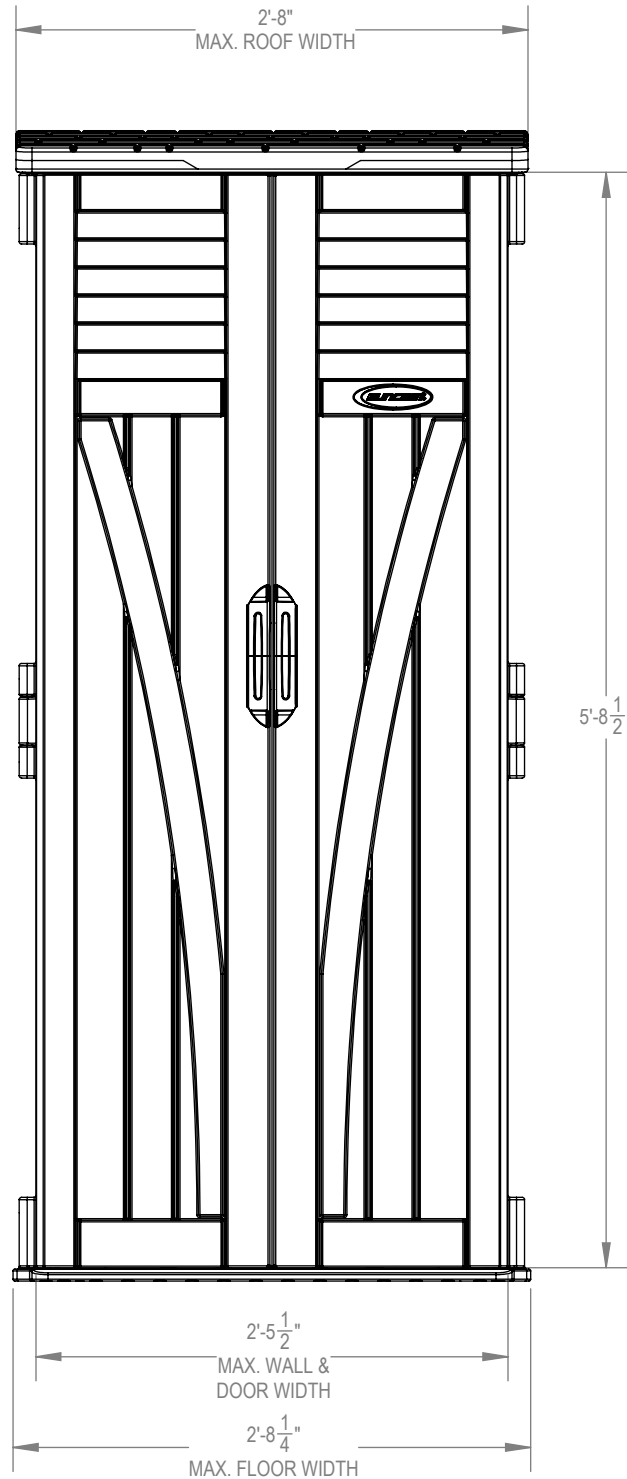
VOLUME:

Interior: 3.8 sq. ft
22 cu. ft.

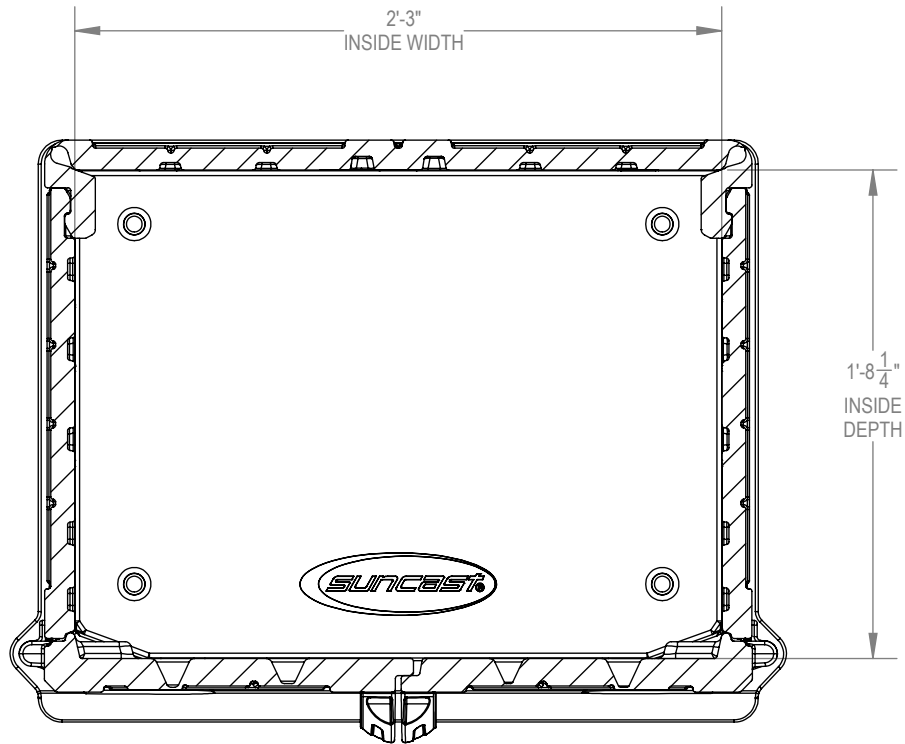
Exterior: 28 cu ft.

SQUARE FOOTAGE:

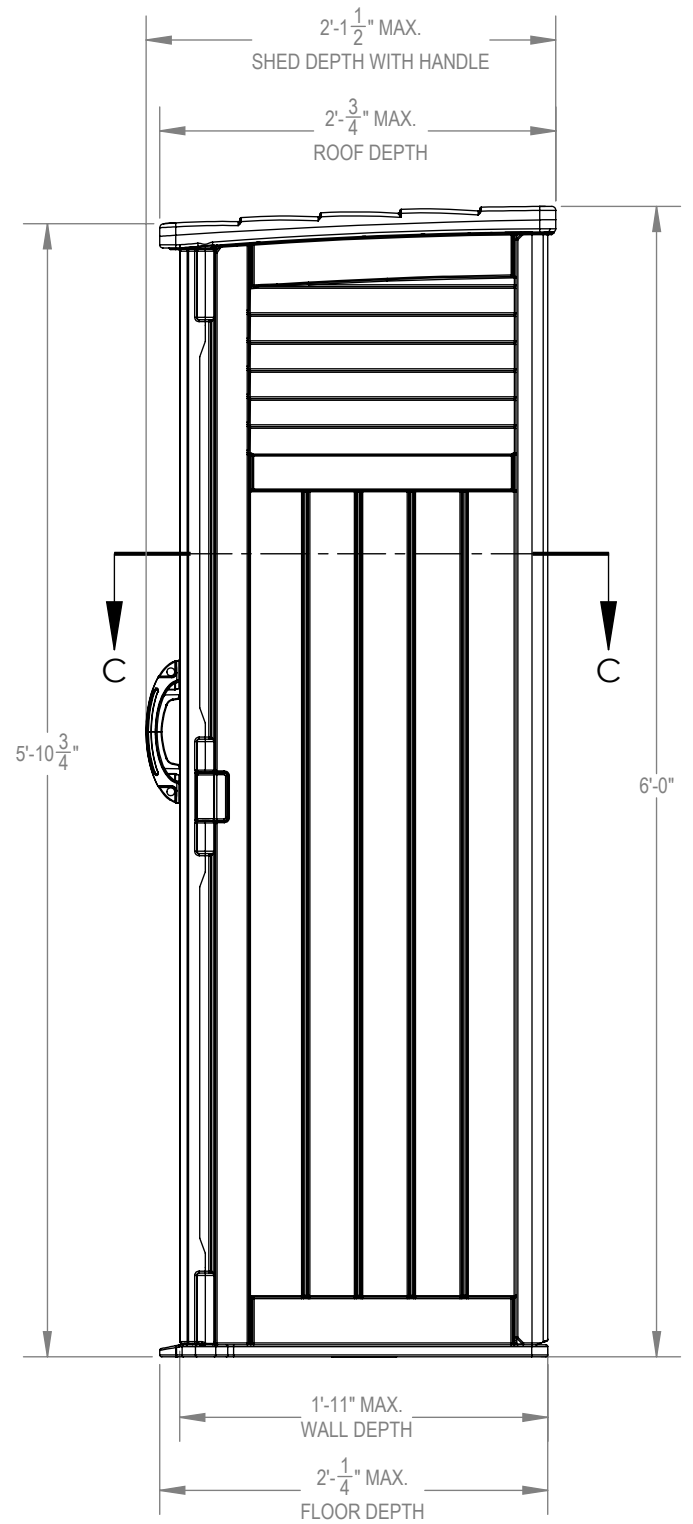
Interior: 4 sq. ft.
Exterior: 5 sq. ft.



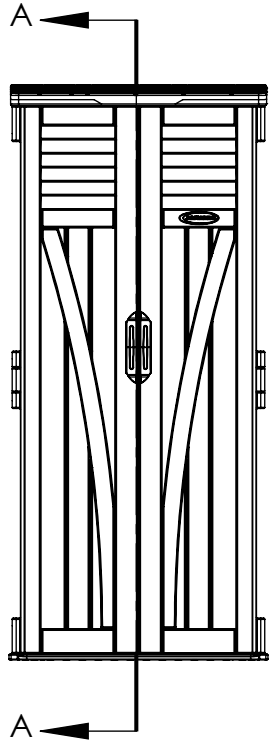
BMS2000 Side View



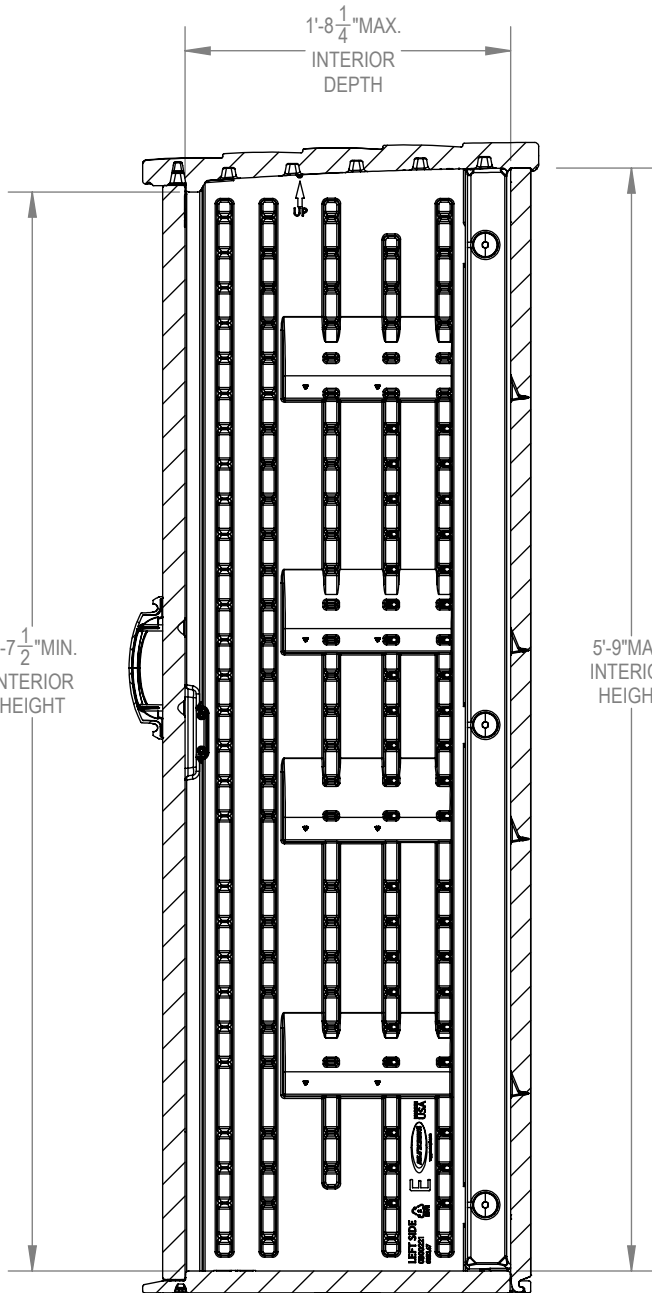
SECTION C-C
SCALE 1 : 8



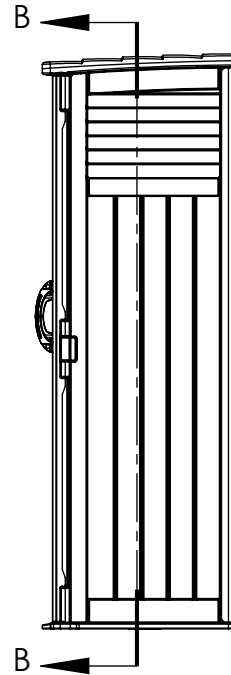
BMS2000 Sect. View



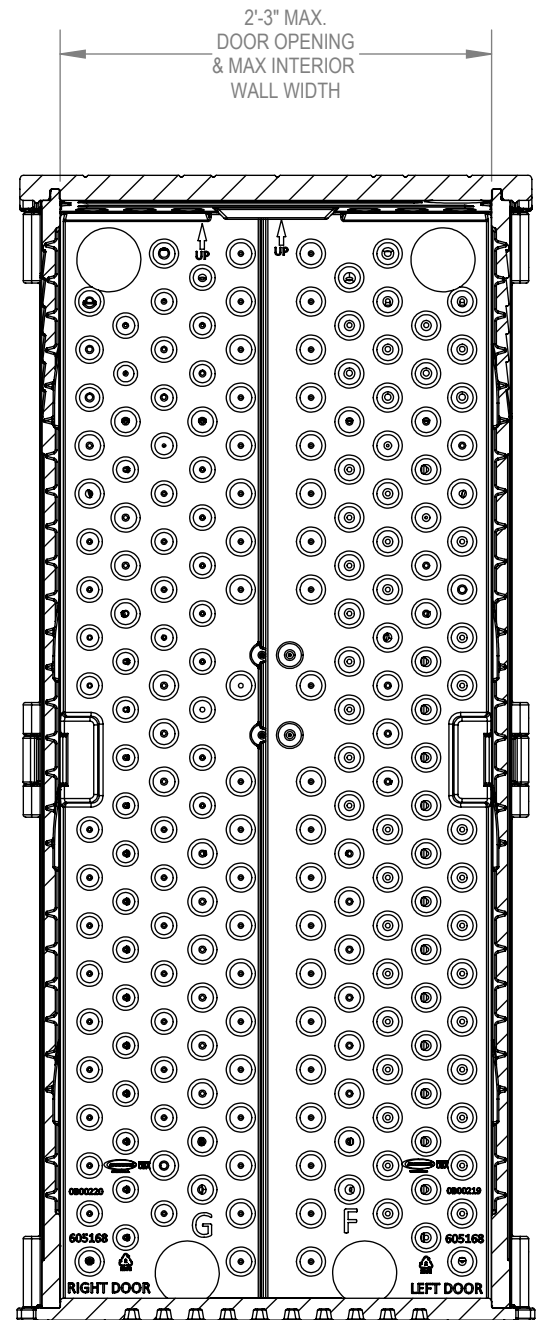
5'-7 1/2" MIN.
INTERIOR
HEIGHT



SECTION A-A
SCALE 1 : 12



5'-9" MAX.
INTERIOR
HEIGHT



SECTION B-B
SCALE 1 : 12