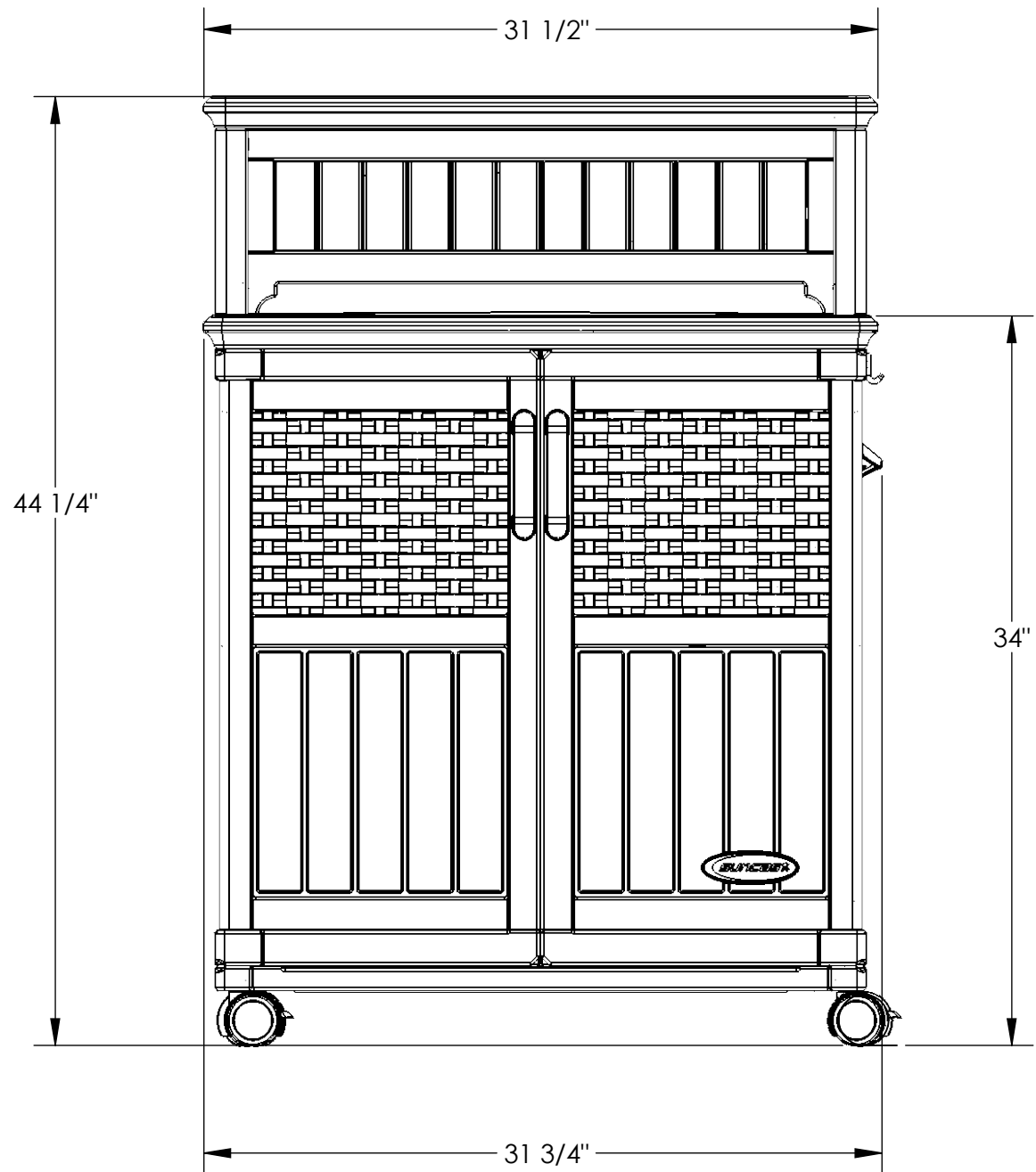
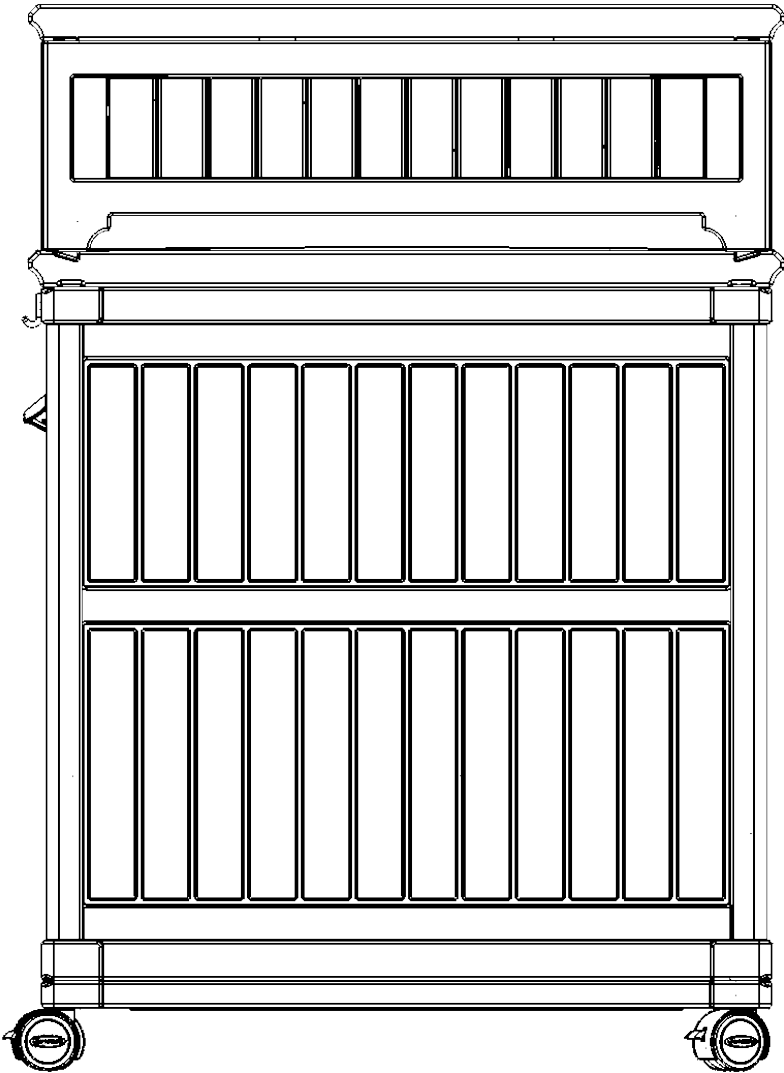
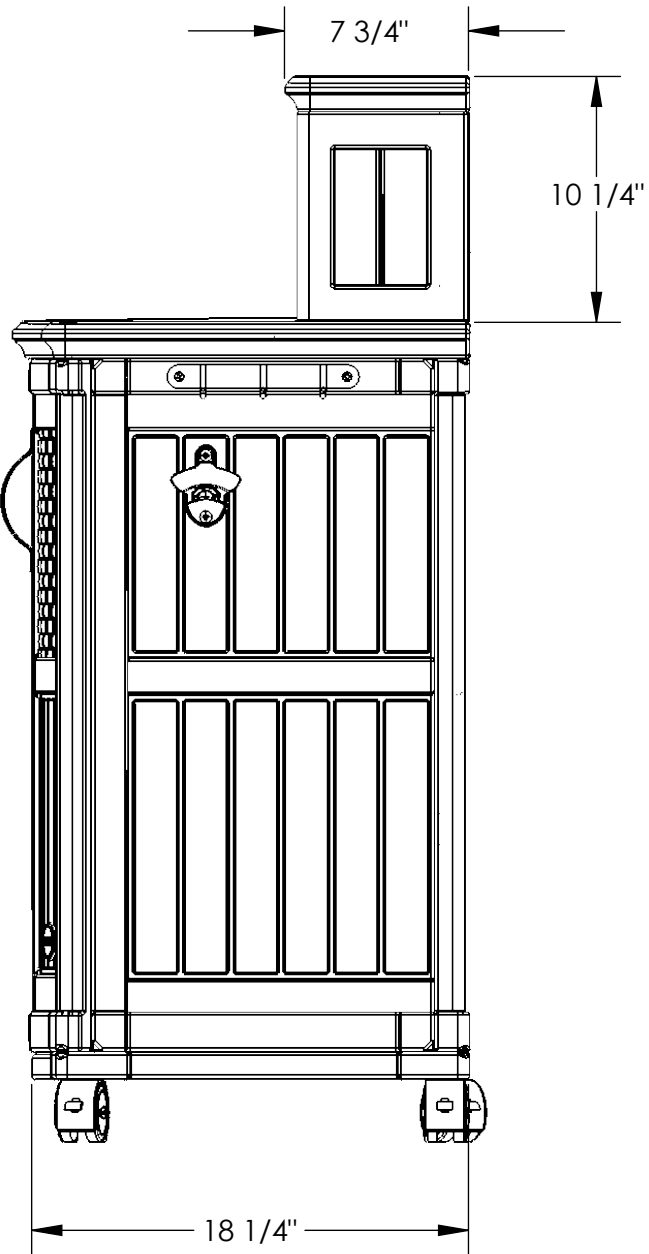


**BMPS6400
FRONT VIEW**

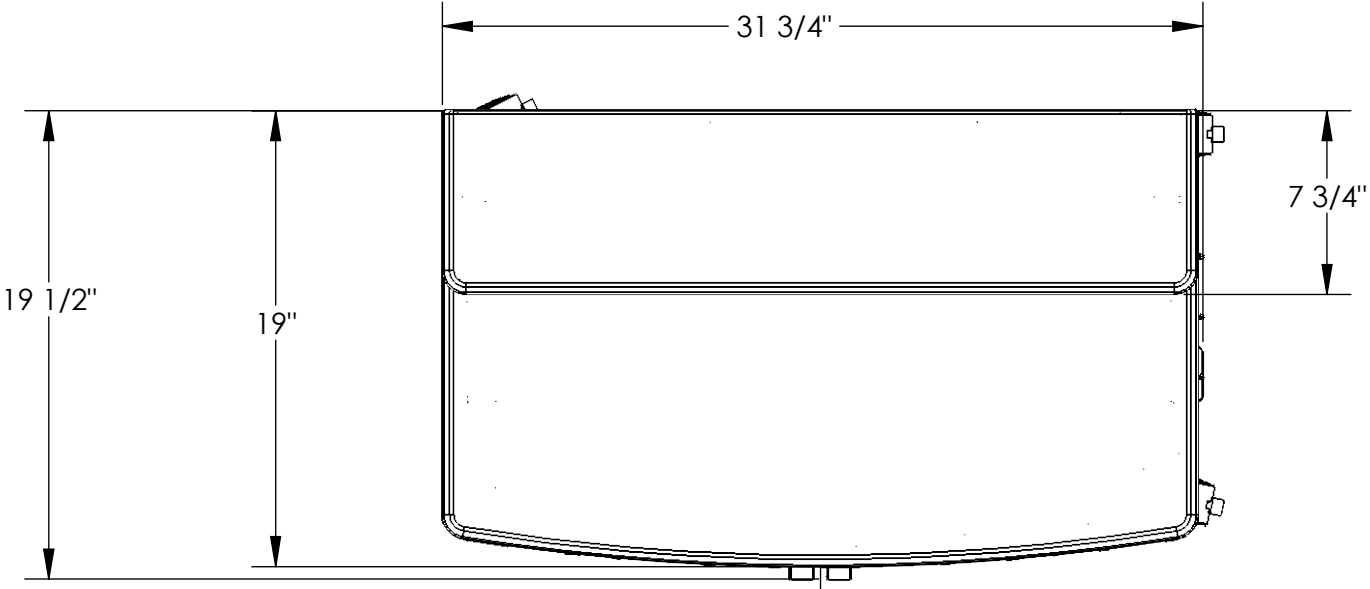
**CAPACITY:
46.7 gal.**



BMPS6400
SIDE/BACK VIEW

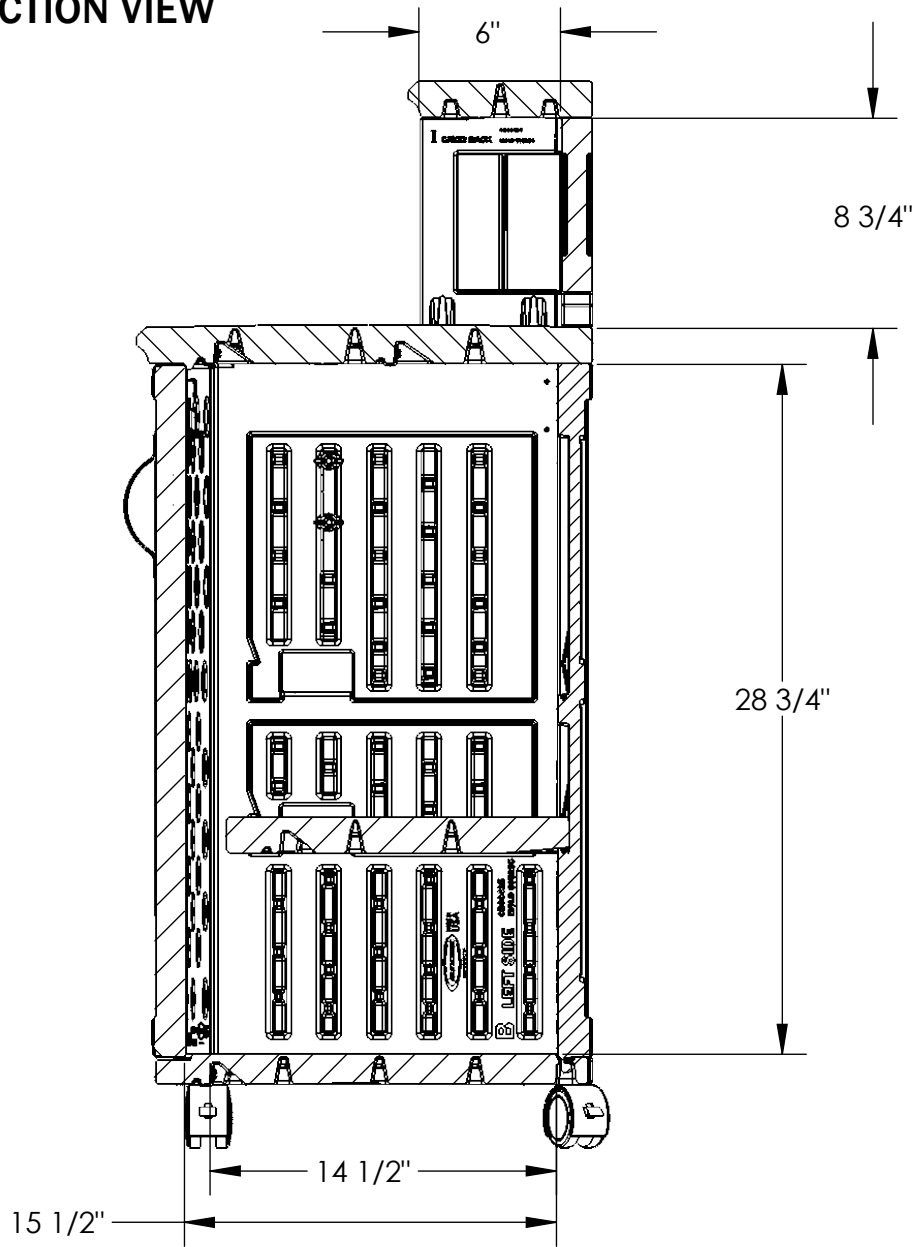


**BMPS6400
TOP VIEW**

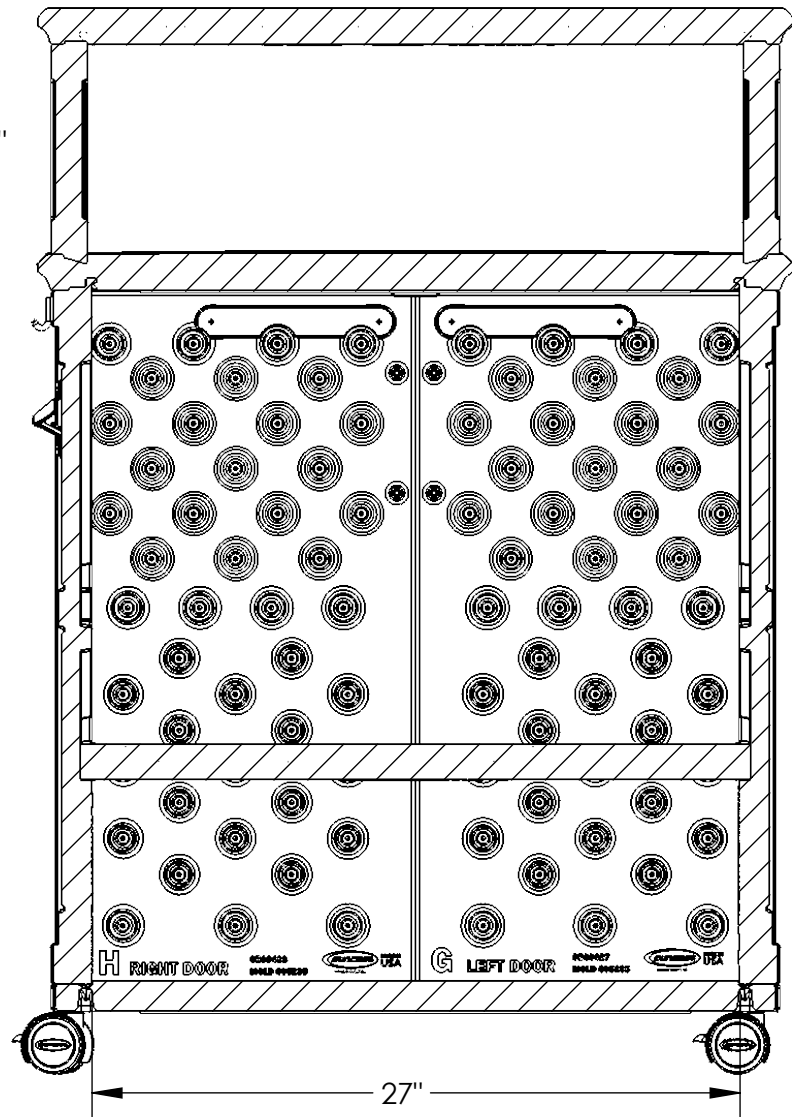


TOP

BMPS6400 SECTION VIEW



SECTION A-A
SCALE 1 : 8



SECTION E-E
SCALE 1 : 8