

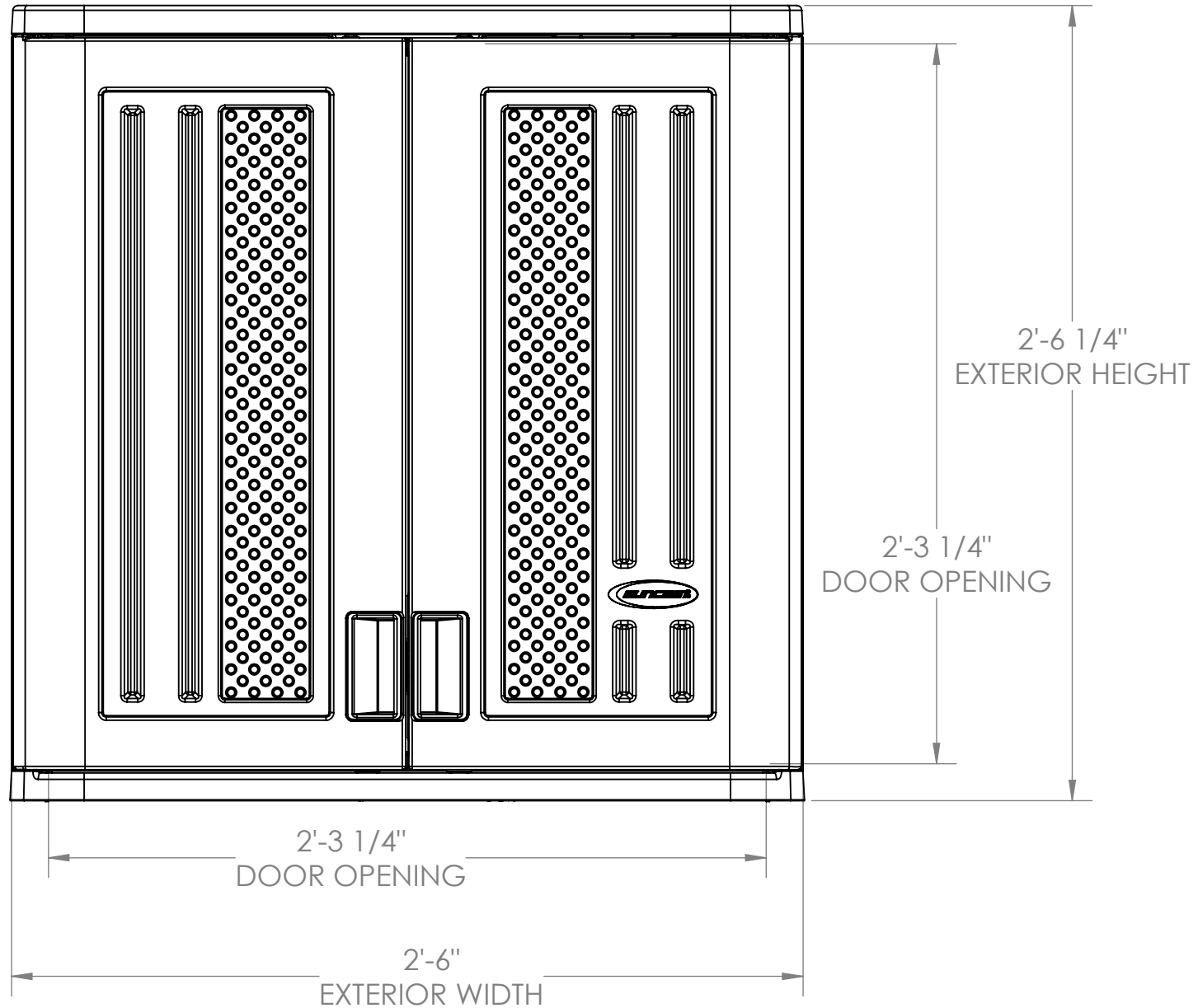
**BMC3000**  
FRONT VIEW

TOTAL VOLUME

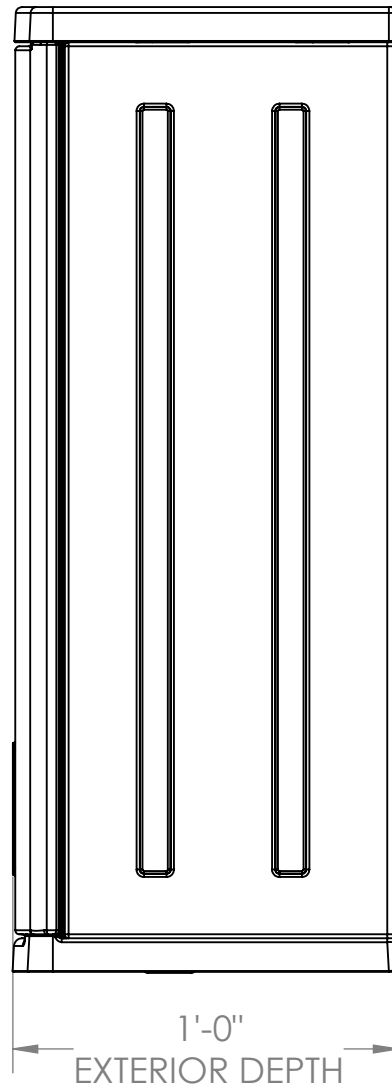
INTERIOR 4.23 cu. ft.  
EXTERIOR 6.30 cu. ft.

SQUARE FOOTAGE

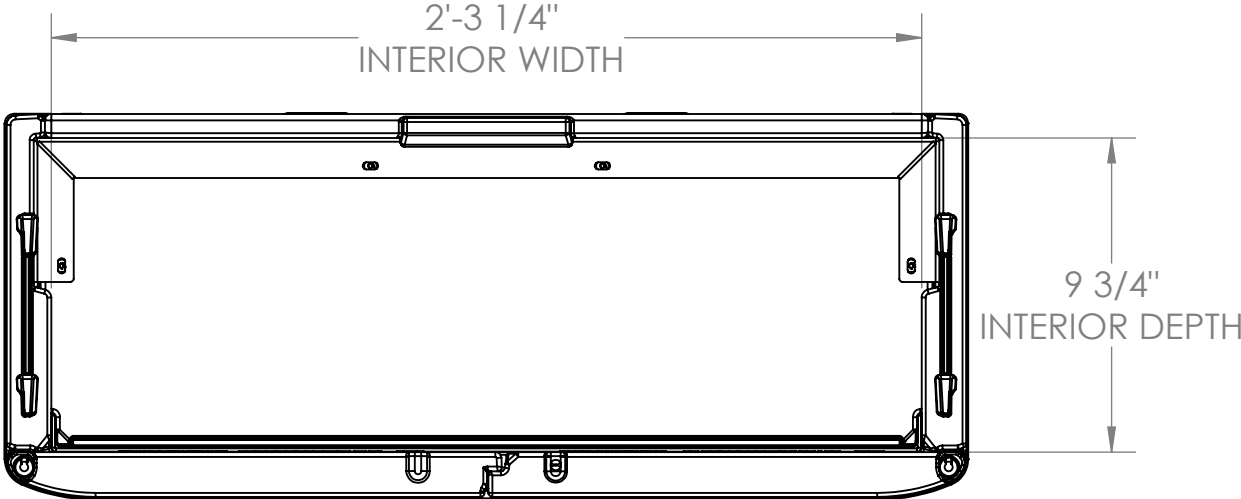
INTERIOR 1.85 sq. ft.  
EXTERIOR 2.5 sq. ft.



**BMC3000**  
SIDE VIEW



**BMC3000**  
TOP VIEW



**BMC3000**  
SIDE SECTION VIEW

