



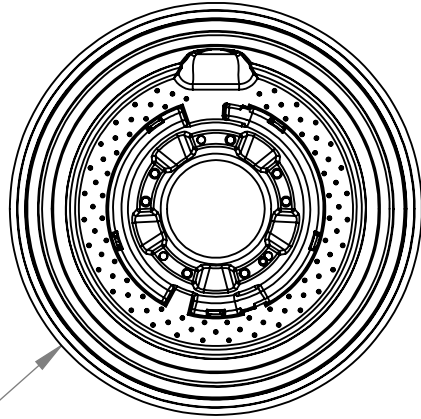
Suncast Corporation
701 North Kirk Road
Batavia, IL 60510 USA

1609G4

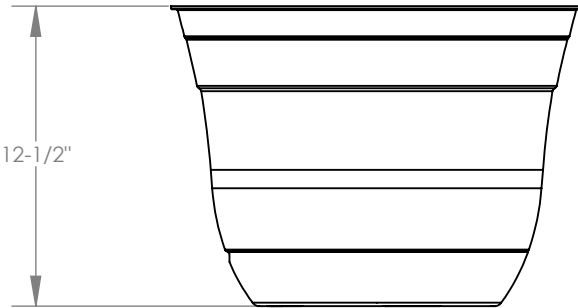
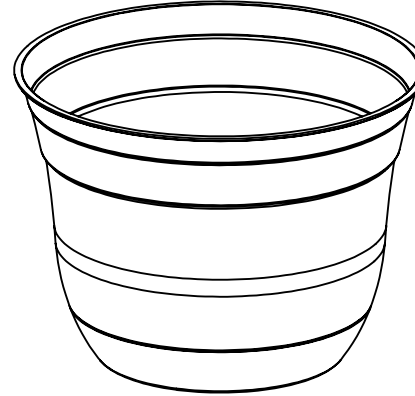
17.2 IN SW PLANTER

TOTAL INTERIOR SOIL VOLUME:	7.53	gal
	964	fl oz
	1	cu ft

DIMENSIONS MAY VARY



Ø 17-1/4"



12-1/2"

